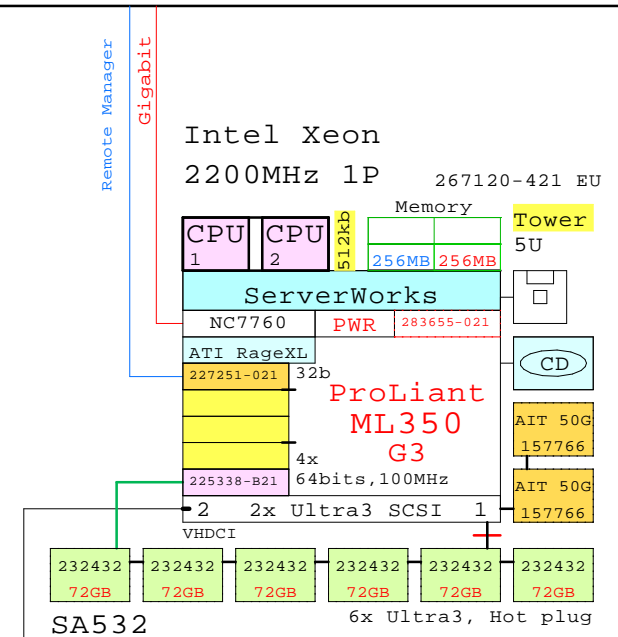


Internal Options:

- CPU** 283702-B21  
2nd CPU  
2200MHz
- 287495-B21
- 287496-B21
- 287497-B21
- 301044-B21
- 283655-021  
2dn power
- 142673  
18GB 142673-B22  
10k
- 188122  
18GB 188122-B22  
15k
- 176496  
36GB 176496-B22  
10k
- 232432  
72GB 232432-B22  
10k
- AIT 50G  
157766-B21
- 227251-021  
Lights out mgr  
RILOE 11
- 244948-B21  
NC7770 Gigabit  
PCI-X
- 225338-B21  
Smart Array 532
- 283551-B21  
Smart Array  
5304/256
- 245299-B21  
FibreChannel HBA  
2Gb/s FCA2101



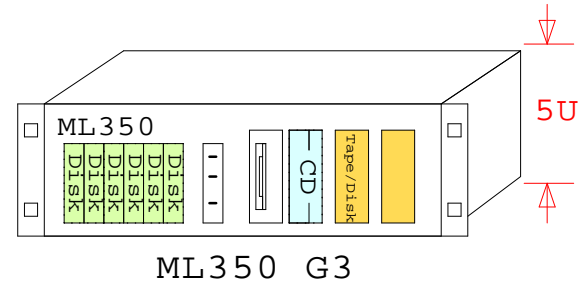
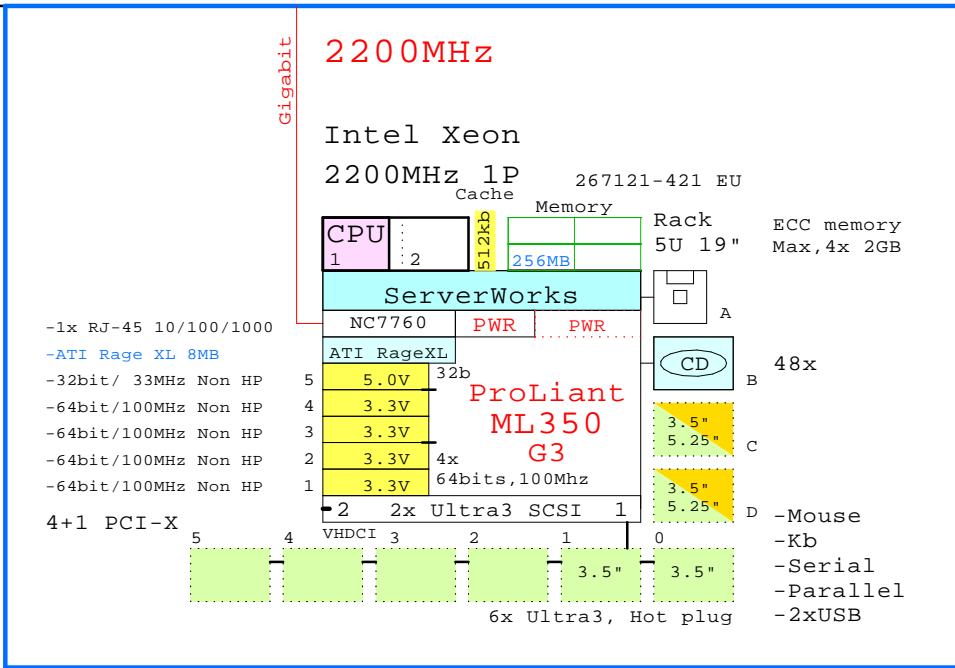
Cable kit for external storage.  
159547-B22 Int/Ext SCSI cable kit

BOM of the 2200MHz-512k 256MB 1P tower system above

Part Number	Qty	Description
1	267120-421	1 ProLiant ML350 G3 2200MHz 256MB Tower 5U
1.1	157766-B21	2 50GB AIT tape drive, Internal
1.2	225338-B21	1 Smart Array 532, RAID Ultra3 2-chan
1.3	227251-021	1 Remote Insight Lights-Out Edition II EU
1.4	232432-B22	6 72.8GB 10000r Ultra3 SCSI disk 1"
1.5	283655-021	1 ML350 G3 second power supply, EU
1.6	283702-B21	1 Intel Xeon 2200-512kb processor kit
1.7	287495-B21	1 256MB ECC PC2100 DDR DIMM kit (1x256MB)

Part numbers for 2.000MHz options

Part Number	Qty	Description
1	267123-421	1 ProLiant ML350 G3 2000MHz 256MB Rack 5U
1.1	283701-B21	1 Intel Xeon 2000-512kb processor kit



[www.Compaq.com/golden-eggs](http://www.Compaq.com/golden-eggs)

Since: Sep-2002

	16-Jan-2003	GEIML350G3c
	Matti.Patari@hp.com	

For more detailed configuring, please consult the latest HP QuickSpecs.  
Generated with fresh GOLDEN EGGS Software, Rev:10-Jan-2003

# ML350 2P

ProLiant ML350 G3 System 2200MHz  
GOLDEN EGGS Visuals, Helsinki