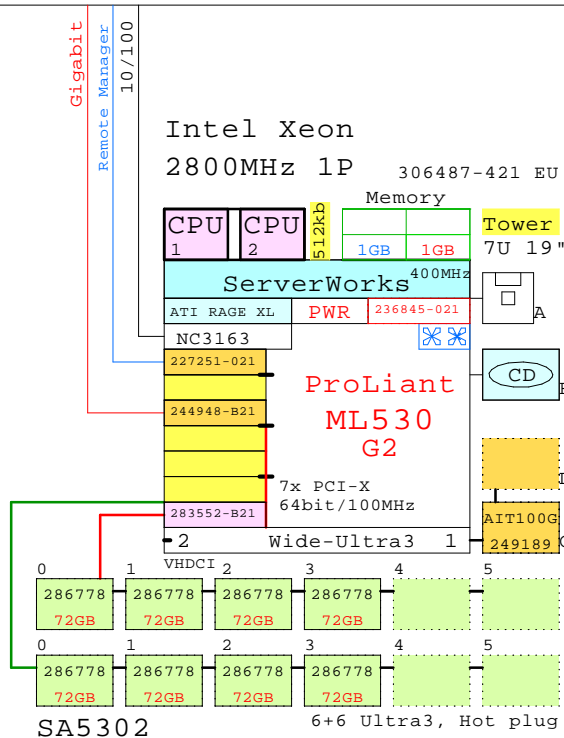


Internal Options:

- CPU** 306504-B21
2nd CPU
2800MHz
- 187419-B21
1GB
- 187420-B21
2GB
- 187421-B21
4GB
- 128284-B21
2nd fan kit for 1p systems
- 236845-021
2nd power supply for 1P systems
- 286775 286775-B22
18GB 15k U320
- 286776 286776-B22
36GB 15k U320
- 286778 286778-B22
72GB 15k U320
- 286716 286716-B22
146GB 10k U320
- AIT 50G 157766-B21
157766
- 227251-021
Lights out mgr RILOE 11
- 244948-B21
NC7770 Gigabit PCI-X
- 138603-B21
138603-B21
NC3134 Ethernet, Dual 64-bit/66MHz
- 283552-B21
283552-B21
Smart Array 5302/128
- 283551-B21
283551-B21
Smart Array 5304/256
- 245299-B21
245299-B21
FibreChannel HBA 2Gb/s FCA2101

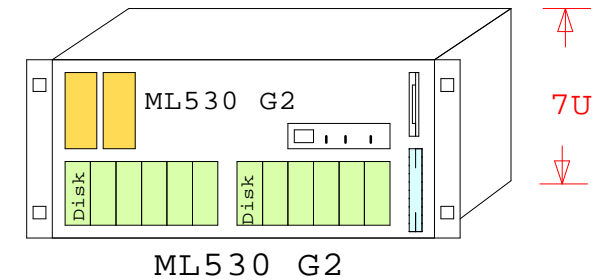
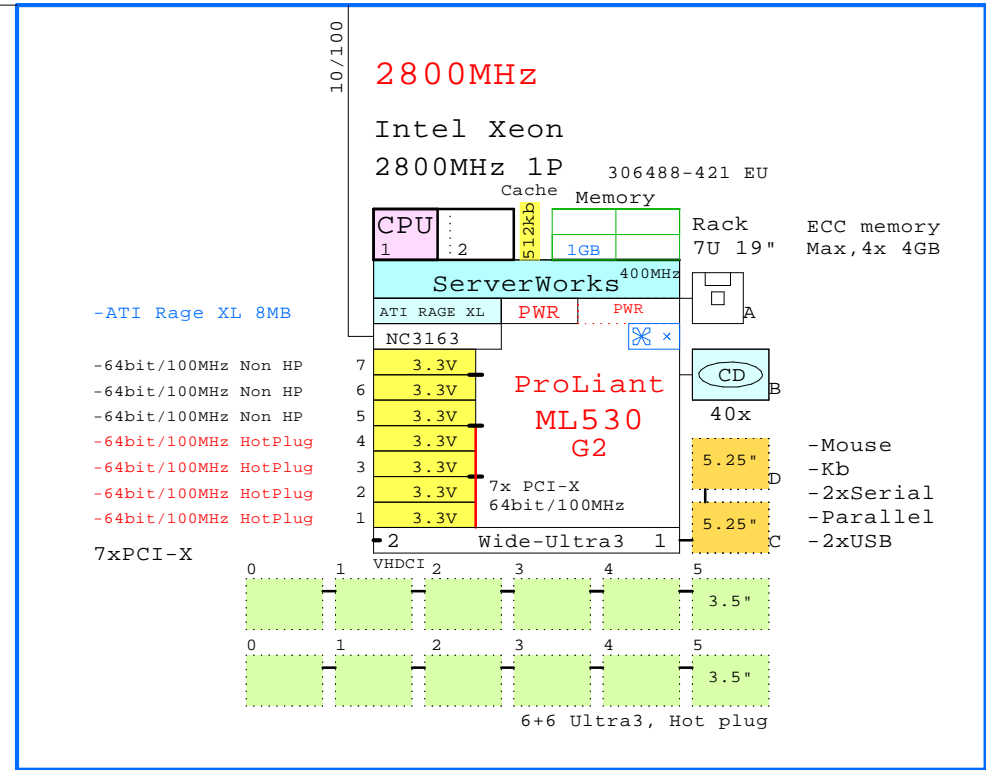


BOM of the 2800MHz-512k 1GB 1P tower system above

Part Number	Qty	Description
1	306487-421	1 ProLiant ML530 G2 1P 2800MHz 1GB Tower 7
1.1	128284-B21	1 ML530 G2 Hot plug blower kit
1.2	187419-B21	1 1GB PCI1600 ECC SDRAM (2x512MB)memory
1.3	227251-021	1 Remote Insight Lights-Out Edition II EU
1.4	236845-021	1 ML530 G2 second power supply
1.5	244948-B21	1 Compaq NC7770 PCI-X Gigabit Server Adapt
1.6	249189-B21	1 100GB AIT tape drive, Internal
1.7	283552-B21	1 Smart Array 5302/128MB,Ultra3 2-chan
1.8	286778-B22	8 72.8GB 15000r U320 disk 1"
1.9	306504-B21	1 Intel Xeon 2800 512KB processor kit

Part numbers for 2800MHz 2P systems

Part Number	Qty	Description
1	306489-421	1 ProLiant ML530 G2 2P 2800MHz 1GB Tower 7
2	306490-421	1 ProLiant ML530 G2 2P 2800MHz 1GB Rack 7U



www.Compaq.com/golden-eggs

Since: May-2002

	16-Jan-2003	GEIML530G2a
	Matti.Patari@hp.com	

ProLiant ML530 G2 system 2800MHz
GOLDEN EGGS Visuals, Helsinki