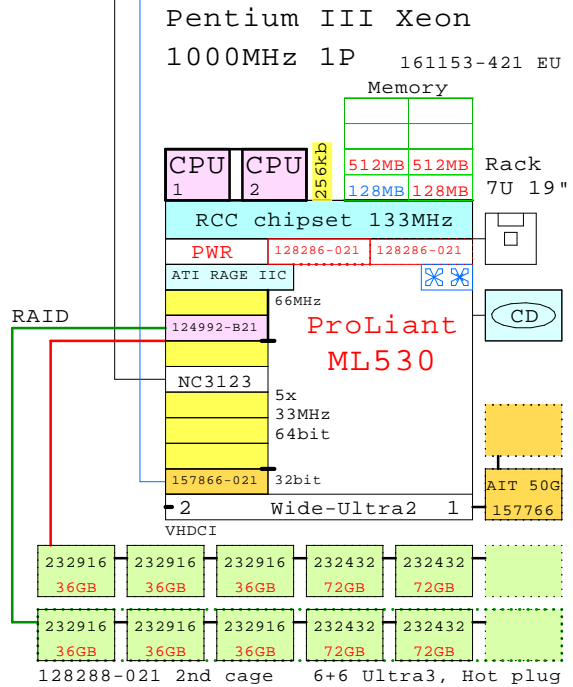


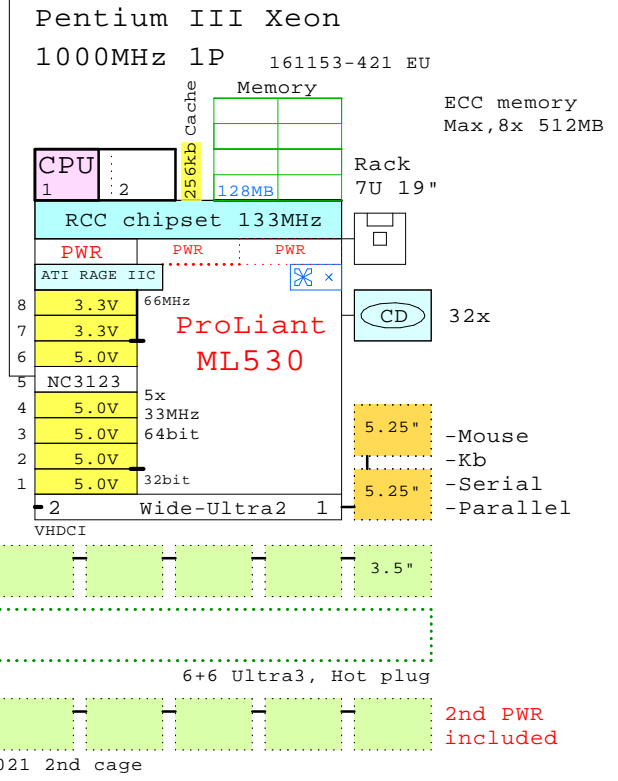
Internal Options:

- CPU** 128283-B21
2nd CPU
- 128MB** 128277-B21
- 256MB** 128278-B21
- 512MB** 128279-B21
- 128248-B21
Fan kit
- 128286-021
2nd,3rd power
- 142673 142673-B22
18GB 10k
- 188122 188122-B22
18GB 15k
- 176496 176496-B22
36GB 10k
- 232432 232432-B22
72GB 10k
- AIT 50G 157766-B21
157766



-Graphics

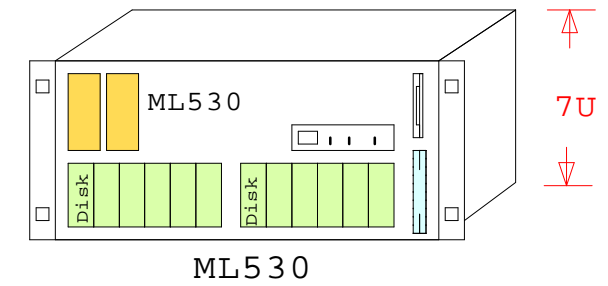
- 64bit/66MHz Non HP
- 64bit/66MHz Non HP
- 64bit/33MHz Non HP
- 64bit/33MHz Non HP
- 64bit/33MHz Non HP
- 64bit/33MHz Non HP
- 64bit/33MHz Non HP
- 32bit/33MHz Non HP



BOM of the system above

Part Number	Qty	Description
1	1	161153-421 ProLiant ML530 1000MHz 128MB Rack 7U
1.1	1	124992-B21 Smart Array 5302/64MB,Ultra3 2-chan
1.2	1	128248-B21 ML570 Hot plug blower kit, 2x fans
1.3	1	128277-B21 128MB 133MHz ECC SDRAM 1x128MB
1.4	2	128279-B21 512MB 133MHz ECC SDRAM 1x512MB
1.5	1	128283-B21 Pentium III Xeon 1000 256KB processor ki
1.6	1	128286-021 ML570/530 R02 second power supply, Int
1.7	1	128288-021 Ultra 2/3 Simplex Drive Cage,6x1" Euro
1.7.1	2	232432-B22 72.8GB 10000r Ultra3 SCSI disk 1"
1.7.2	3	232916-B22 36GB 15000r Ultra3 SCSI disk 1"
1.8	1	157766-B21 50GB AIT tape drive, Internal
1.9	1	157866-021 CPQ Remote Insight manager kit
1.10	2	232432-B22 72.8GB 10000r Ultra3 SCSI disk 1"
1.11	3	232916-B22 36GB 15000r Ultra3 SCSI disk 1"

- 157866-021 Lights out mgr 33MHz
- 158575-B21 NC7131 Gigabit 64-bit/66MHz
- 138603-B21 NC3134 Ethernet, Dual 64-bit/66MHz
- 158939-B21 Smart Array 5304/128 64-Bit/66MHz
- 176479-B21 FibreChannel adapter 64-bit/33MHz



www.Compaq.com/golden-eggs

Since:Feb-2002

COMPAQ	18-Feb-2002	GEIML530a
	Matti.Patari@compaq.com	

ProLiant ML530 2PIII 1000Mhz
GOLDEN EGGS Visuals, Helsinki

ML530 2P