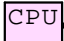
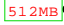



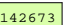
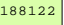
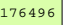
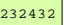
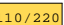
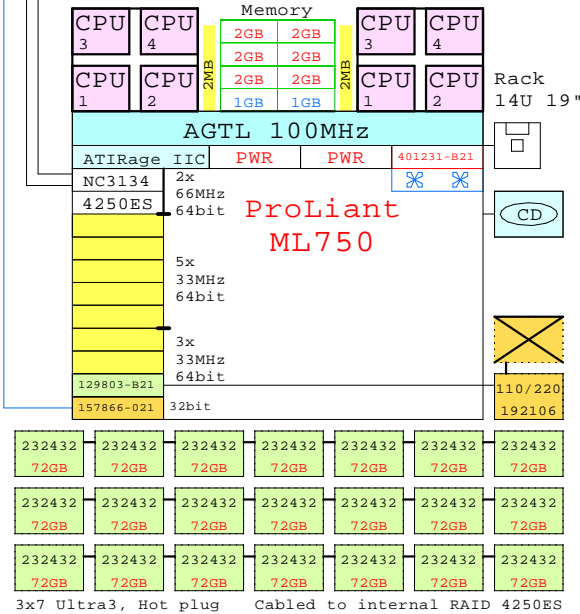


Internal Options:

-  177666-B21
3rd - 8th CPU
-  328807-B21
-  328808-B21
-  328809-B21
-  401231-B21
3rd power
-  142673-B22
18GB 10k
-  188122-B22
18GB 15k
-  176496-B22
36GB 10k
-  232432-B22
72GB 10k
-  192106-B21
SDLT 110/220GB
Space for one

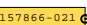
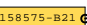
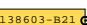
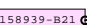
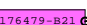
Pentium III Xeon
900MHz 4P
178279-421 EU



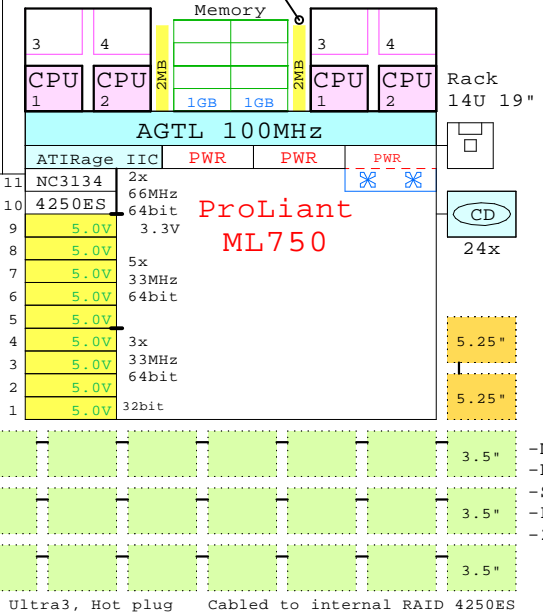
Disk total: 21x 72.8GB = 1528GB

BOM of the system above

Part Number	Qty	Description
178279-421	1	ProLiant ML750 4P 900MHz 2GB rack 7U
1.1	1	Dual CH UWD SCSI dapter LVD 2xVHDCI
1.2	1	CPQ Remote Insight manager kit
1.3	4	Pentium III Xeon 900-2MB processor kit
1.4	1	110/220GB SDLT Drive, Internal, Opal
1.5	21	72.8GB 10000r Ultra3 SCSI disk 1"
1.6	6	2GB 100MHz ECC SDRAM DIMM (2x1024MB)
1.7	1	ML750 third power supply

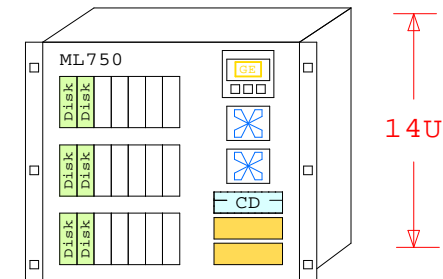
-  157866-021
Lights out mgr 33MHz
-  158575-B21
NC7131 Gigabit 64-bit/66MHz
-  138603-B21
NC3134 Ethernet, Dual 64-bit/66MHz
-  158939-B21
Smart Array 5304/128 64-Bit/66MHz
-  176479-B21
FibreChannel adapter 64-bit/33MHz

Pentium III Xeon
900MHz 4P
178279-421 EU



- Graphics
- 64bit/66MHz Hot Plug
- 64bit/66MHz Hot Plug
- 64bit/33MHz Hot Plug
- 64bit/33MHz Hot Plug
- 64bit/33MHz Hot Plug
- 64bit/33MHz Hot Plug
- 64bit/33MHz Hot Plug
- 64bit/33MHz Hot Plug
- 64bit/33MHz Hot Plug
- 64bit/33MHz Hot Plug
- 64bit/33MHz Hot Plug
- 32bit/33MHz Hot Plug

- Mouse
- Kb
- Serial
- Parallel
- 2xRJ-45



ML750

www.Compaq.com/golden-eggs

Since:Jan-2002

COMPAQ	10-Jan-2002	GEIML750a
	Matti.Patari@compaq.com	

ML750 8P

ProLiant ML750 4P PIII X900 2M
GOLDEN EGGS Visuals, Helsinki