

BOM of DS20E "tape system" above

Part Number	Qty	Description
DA-56PAA-FA	1	AS DS20E 6/667 1GB_Rack_UNIX
3X-BC56C-2F	1	DS20E SCSI Cable Kit
3X-KZPCA-AA	4	Single channel LVD adapter
3X-SD50X-LB	1	50/100GB AIT tape drive, blue
BA610-6D	1	ES40 Disk Drive Cage, 6-Bay
3R-A0585-AA	2	18.2GB Uscsi3 10k Universal disk 1"
175195-B22	1	SSL2020 AIT Lib.2xDrive,20slot,TT,LVD
146197-B21	1	40/80GB DLT Drive,TableTop,Opal
328215-002	1	Wide Differential SCSI Cable Kit 10m
328215-001	1	Wide Differential SCSI Cable Kit 5m

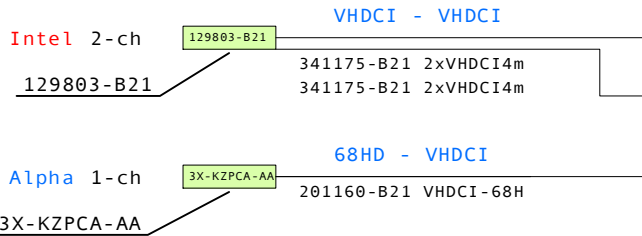
[www.Compaq.com/golden-eggs](http://www.Compaq.com/golden-eggs)  
Since:Mar-2001

<b>COMPAQ</b>	30-Mar-2001	GTtape1
	Matti.Patari@Compaq.com	

Tape drives, host driven  
GOLDEN EGGs Visuals,Helsinki

Tape1

**Host adapters LVD**

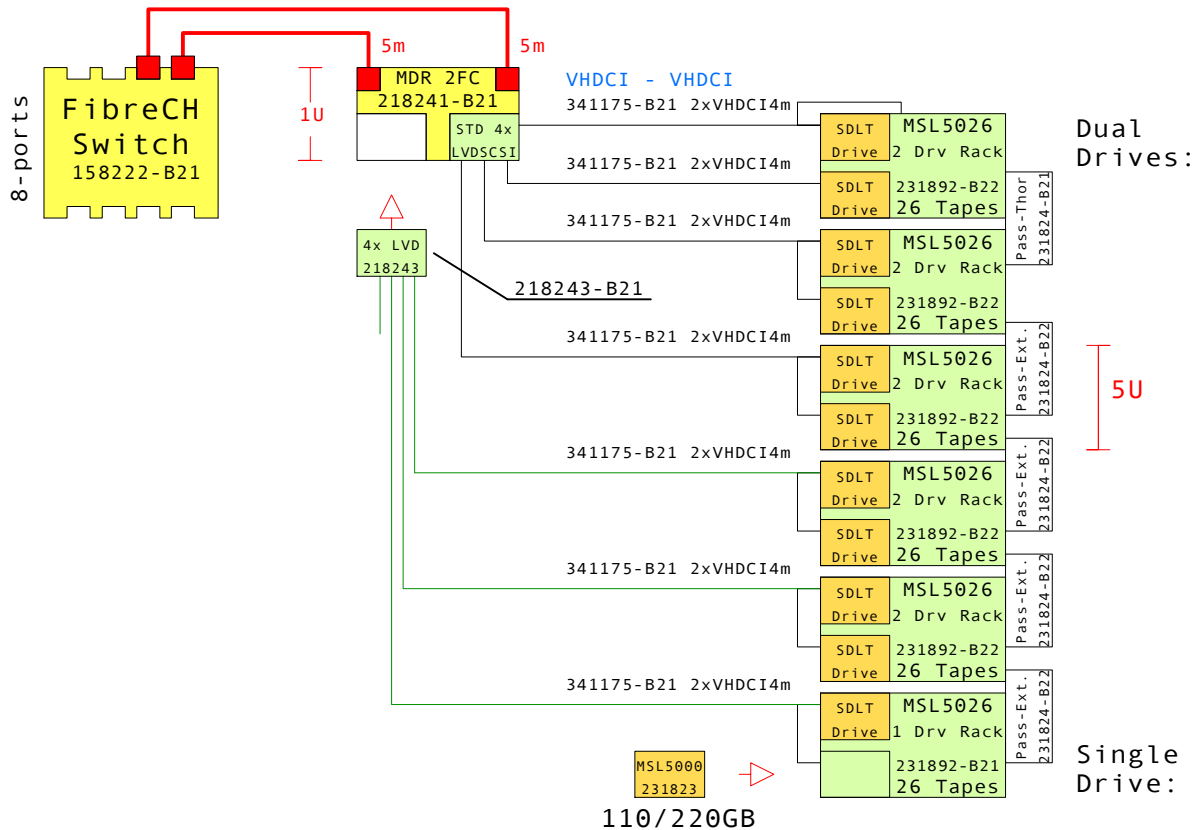


**SCSI terms:**

- LVD Low Voltage Differential
- HVD High Voltage Differential
- VHDCI Very High Density Cable Interconnect
- 68HD 68 pin High Density

**Modular Data Router 2FC LVD**

**MSL5026 SDLT Library, Rack LVD**



**BOM of options on the left, Rack mount**

Part Number	Qty	Description
3X-KZPCA-AA	1	Single channel LVD adapter
129803-B21	1	Dual CH UWD SCSI dapter LVD 2xVHDCI
158222-B21	1	SAN Switch 8 Ports
201160-B21	1	Ultra Cbl VHDCI - 68HD 10m
218241-B21	1	Mod. Data Router 2xFC, 4xLVD, 4xGBIG, 2X5m
218243-B21	1	Mod. Data Router 4-port LVDscsi option
231823-B22	1	MSL5000 Add-on Drive SDLT110/220,LVD
231824-B21	1	MSL5026 Pass-Thorough Mechanism
231824-B22	4	MSL5026 Pass-Thorough Extender
231892-B21	1	MSL5026 SDLT Lib. 1xDrive, RackM, LVD
231892-B22	5	MSL5026 SDLT Lib. 2xDrive, RackM, LVD
341175-B21	9	VHDCI to VHDCI SCSI Cable 4m

**BOM of options, TableTop**

Part Number	Qty	Description
231822-B21	1	MSL5026 SDLT Lib. 1xDrive, TableT, LVD
231822-B22	1	MSL5026 SDLT Lib. 2xDrive, TableT, LVD
231838-B21	1	MSL5026 SDLT Lib. No Drive, TableT, LVD

[www.Compaq.com/golden-eggs](http://www.Compaq.com/golden-eggs)

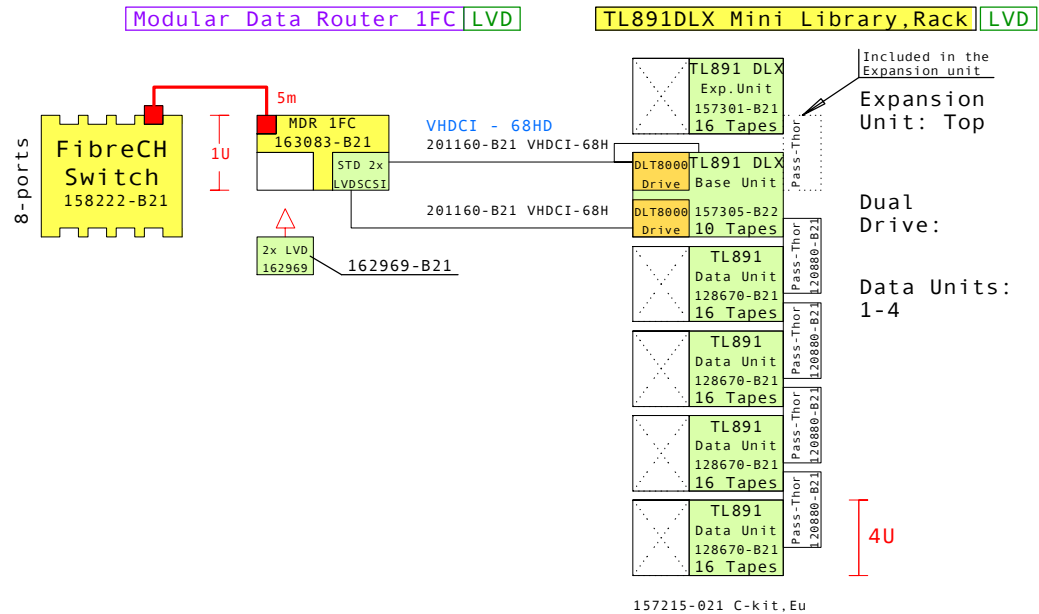
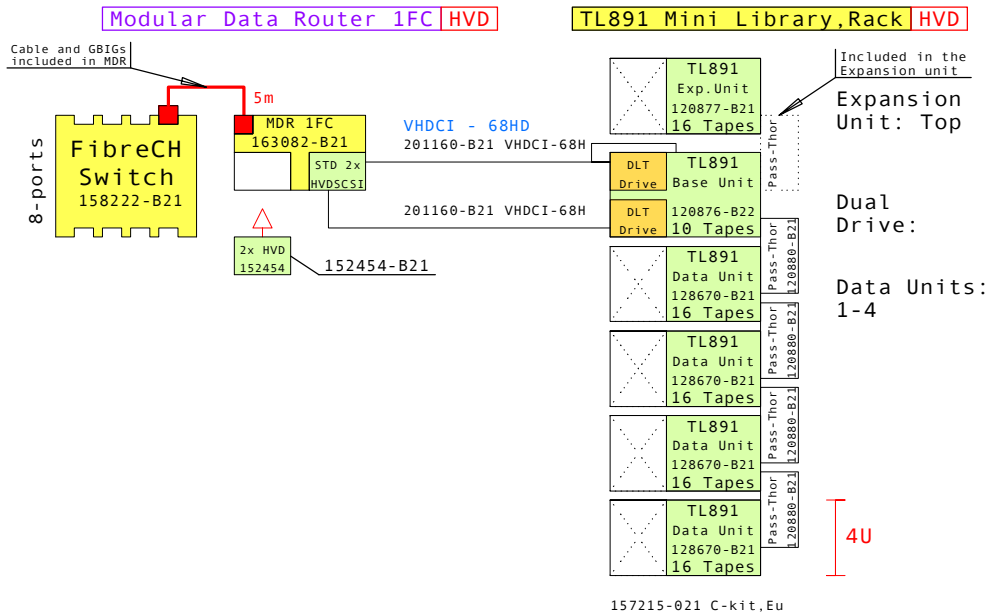
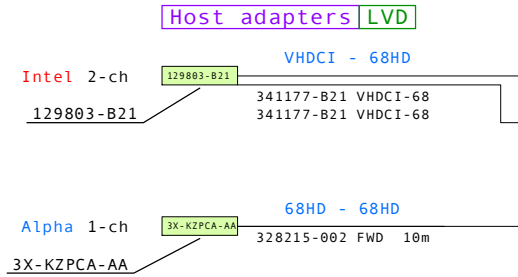
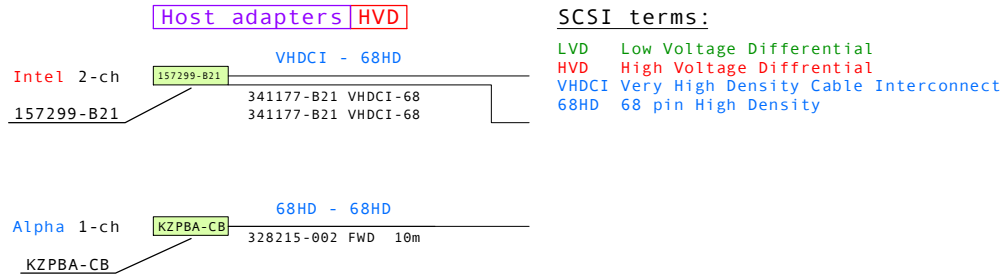
Since: Apr-2001



29-Jun-2001 GTMSL5026a

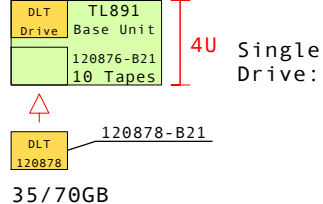
Matti.Patari@Compaq.com

MSL5026-SDLT Library  
 GOLDEN EGGS Visuals, Helsinki



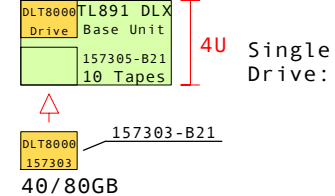
**BOM of HVD options above, Rack mount**

Part Number	Qty	Description
120876-B21	1	TL891 DLT Lib. 1xDrive, RackM, FWD
120876-B22	1	TL891 DLT Lib. 2xDrive, RackM, FWD
120877-B21	1	TL891 DLT Lib. Expansion Unit
120878-B21	1	TL891 Add-On 35/70 Drive
120880-B21	4	TL891 Pass-Thorough Mechanism Kit
128670-B21	4	TL891 DLT Lib. Data Unit
152454-B21	1	Mod. Data Router 2-port HVdscsi option
157215-021	1	Country Kit Europe for TL891 DLX
157299-B21	1	Dual CH UWD SCSI dapter HVD 2xVHDCI
158222-B21	1	SAN Switch 8 Ports
163082-B21	1	Mod. Data Router 1xFC, 2xHVD, 2xGBIG, 5m
201160-B21	2	Ultra Cbl VHDCI - 68HD 10m
328215-002	1	Wide Differential SCSI Cable Kit 10m
341177-B21	2	VHDCI to 68 pin SCSI Cable 12FT
KZPBA-CB	1	PCI to UltraSCSI Adapter UWdif



**BOM of LVD options above, Rack mount**

Part Number	Qty	Description
120880-B21	4	TL891 Pass-Thorough Mechanism Kit
128670-B21	4	TL891 DLT Lib. Data Unit
129803-B21	1	Dual CH UWD SCSI dapter LVD 2xVHDCI
157215-021	1	Country Kit Europe for TL891 DLX
157301-B21	1	TL891 DLX DLT Lib. Expansion Unit
157303-B21	1	TL891 DLX Add-On 40/80 Drive
157305-B21	1	TL891 DLX DLT Lib. 1xDrive, RackM, LVD
157305-B22	1	TL891 DLX DLT Lib. 2xDrive, RackM, LVD
158222-B21	1	SAN Switch 8 Ports
162969-B21	1	Mod. Data Router 2-port LVdscsi option
163083-B21	1	Mod. Data Router 1xFC, 2xLDV, 2xGBIG, 5m
201160-B21	2	Ultra Cbl VHDCI - 68HD 10m
328215-002	1	Wide Differential SCSI Cable Kit 10m
341177-B21	2	VHDCI to 68 pin SCSI Cable 12FT
3X-KZPCA-AA	1	Single channel LVD adapter



**BOM of HVD options, TableTop**

Part Number	Qty	Description
120875-B21	1	TL891 DLT Lib. 1xDrive, TableT, FWD
120875-B22	1	TL891 DLT Lib. 2xDrive, TableT, FWD

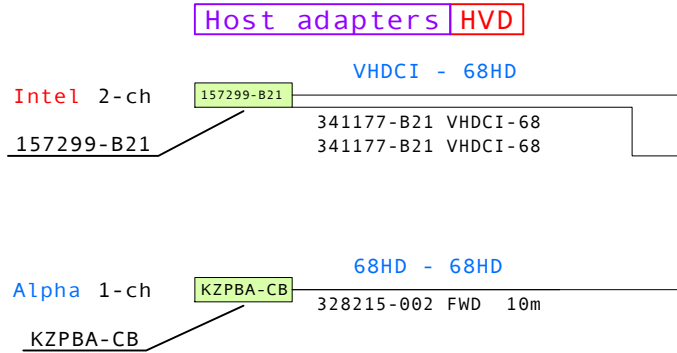
**BOM of LVD options, TableTop**

Part Number	Qty	Description
157300-B21	1	TL891 DLX DLT Lib. 1xDrive, TableT, LVD
157300-B22	1	TL891 DLX DLT Lib. 2xDrive, TableT, LVD

[www.Compaq.com/golden-eggs](http://www.Compaq.com/golden-eggs)

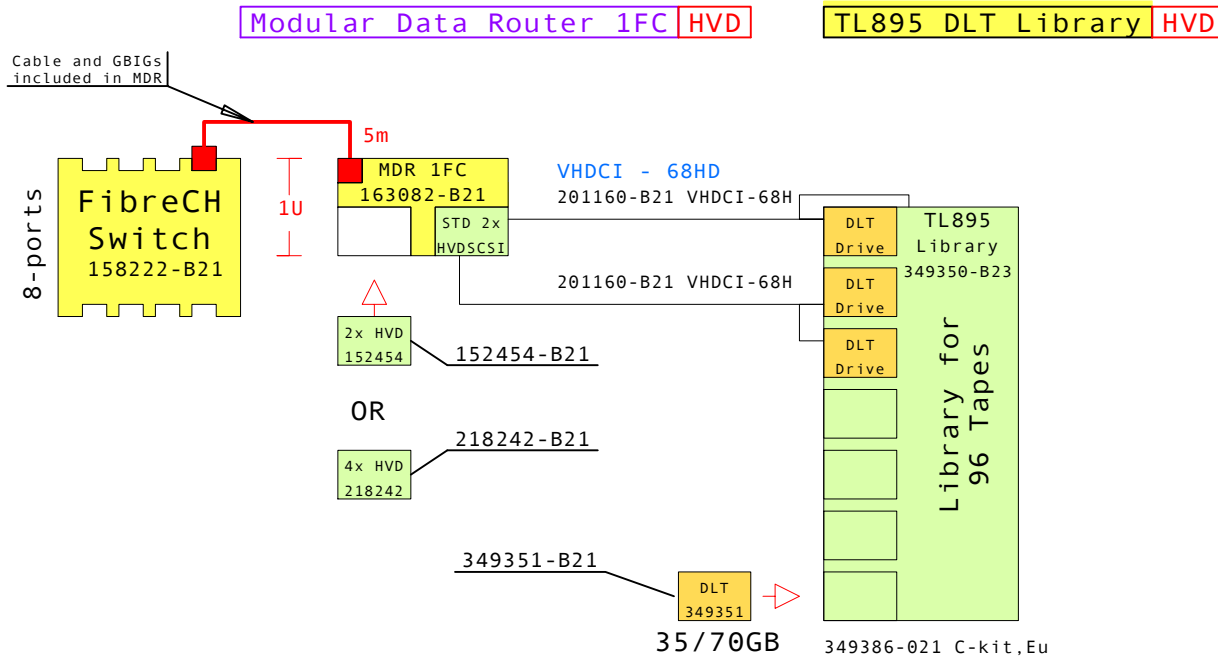
<b>COMPAQ</b>	30-Mar-2001	GTTL891a
	Mattti.Patari@Compaq.com	

TL891/DLX Mini-Library  
 GOLDEN EGGS Visuals, Helsinki



**SCSI tems:**

- LVD Low Voltage Differential
- HVD High Voltage Differential
- VHDCI Very High Density Cable Interconnect
- 68HD 68 pin High Density



**BOM of options on the left**

Part Number	Qty	Description
152454-B21	1	Mod. Data Router 2-port HVDscsi option
157299-B21	1	Dual CH UWD SCSI dapter HVD 2xVHDCI
158222-B21	1	SAN Switch 8 Ports
163082-B21	1	Mod. Data Router 1xFC, 2xHVD, 2xGBIG, 5m
201160-B21	2	Ultra Cbl VHDCI - 68HD 10m
218242-B21	1	Mod. Data Router 4-port HVDscsi option
328215-002	1	Wide Differential SCSI Cable Kit 10m
341177-B21	2	VHDCI to 68 pin SCSI Cable 12FT
349350-B23	1	TL895, 96-Slots, 3-Drive, DLT-Library
349351-B21	1	TL895 DLT 35/70 Drive Upgrade
349386-021	1	Country Kit Europe for TL891 TL895
KZPBA-CB	1	PCI to UltraSCSI Adapter UWdif

**Available TL895 DLT Libraries**

Part Number	Qty	Description
349350-B22	1	TL895, 96-Slots, 2-Drive, DLT-Library
349350-B23	1	TL895, 96-Slots, 3-Drive, DLT-Library
349350-B24	1	TL895, 96-Slots, 4-Drive, DLT-Library
349350-B25	1	TL895, 96-Slots, 5-Drive, DLT-Library
349350-B26	1	TL895, 96-Slots, 6-Drive, DLT-Library
349350-B27	1	TL895, 96-Slots, 7-Drive, DLT-Library

[www.Compaq.com/golden-eggs](http://www.Compaq.com/golden-eggs)

Since: Mar-2001

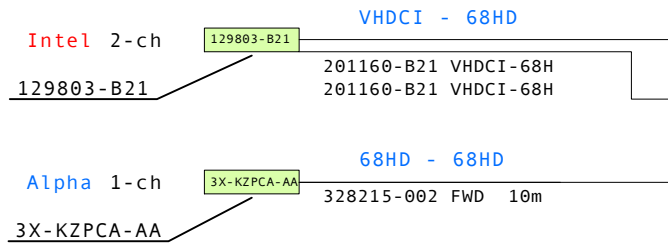
<b>COMPAQ</b>	30-Mar-2001	GTTL895a
	Matti.Patari@Compaq.com	

TL895 DLT Library  
 GOLDEN EGGS Visuals, Helsinki

This template is included in the present GOLDEN EGGS Software kit.

**TL895**

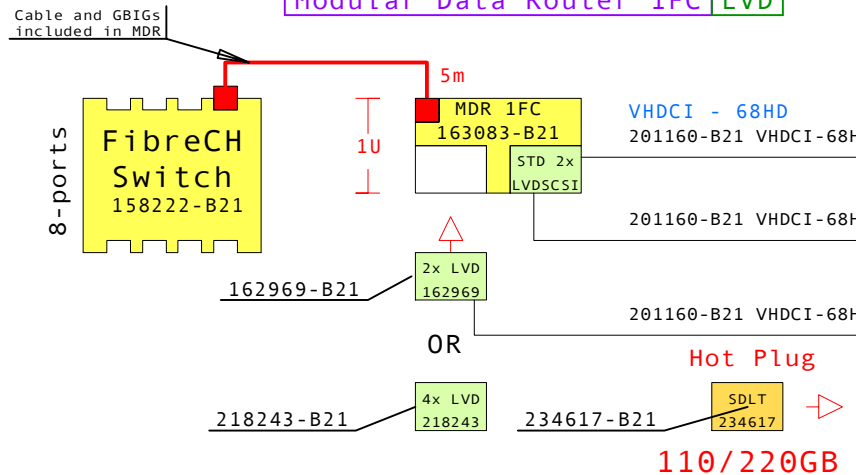
**Host adapters LVD**



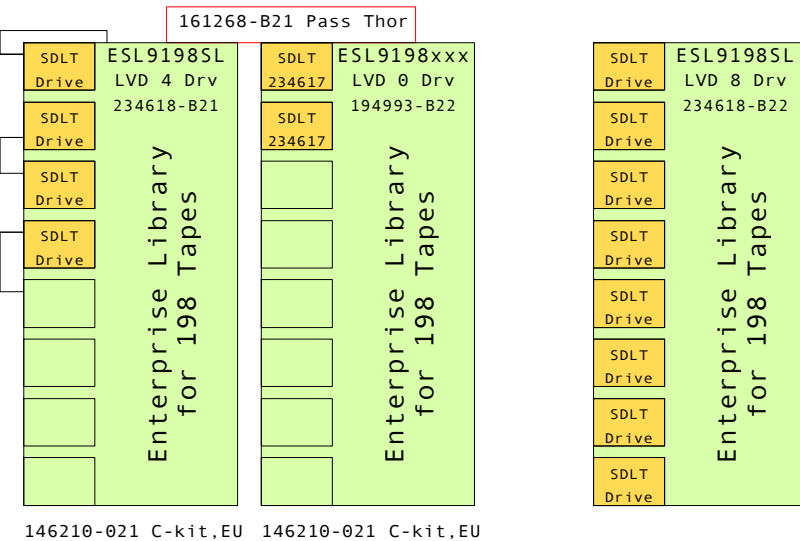
**SCSI terms:**

- LVD Low Voltage Differential
- HVD High Voltage Differential
- VHDCI Very High Density Cable Interconnect
- 68HD 68 pin High Density

**Modular Data Router 1FC LVD**



**ESL9198SL Enterprise Library LVD**



Max 5 tape libraries together

**BOM of LVD options above**

	Part Number	Qty	Description
1	194993-B21	1	ESL9198DLX 198-Slot, 0-Dr, DLT, LVD
1.1	234617-B21	2	ESL9k Hot-plug Drive 110/220GB LVD
2	234618-B21	1	ESL9198SL 198-Slot, 4-Dr, SDLT, LVD
3	234618-B22	1	ESL9198SL 198-Slot, 8-Dr, SDLT, LVD
4	158222-B21	1	SAN Switch 8 Ports
5	163083-B21	1	Mod. Data Router 1xFC,2xLDV,2xGBIG,5m
6	161268-B21	1	ESL9000 Pass thorough mechanism kit
7	201160-B21	5	Ultra Cbl VHDCI - 68HD 10m
8	146210-021	2	ESL9000 Power Country Kit, Europe
9	328215-002	1	Wide Differential SCSI Cable Kit 10m
10	162969-B21	1	Mod. Data Router 2-port LVDscsi option
11	218243-B21	1	Mod. Data Router 4-port LVDscsi option
12	234617-B21	1	ESL9k Hot-plug Drive 110/220GB LVD
13	129803-B21	1	Dual CH UWD SCSI dapter LVD 2xVHDCI
14	3X-KZPCA-AA	1	Single channel LVD adapter

[www.Compaq.com/golden-eggs](http://www.Compaq.com/golden-eggs)

Since: Mar-2001

<b>COMPAQ</b>	24-Aug-2001	GTESL9198b
	Matti.Patari@Compaq.com	

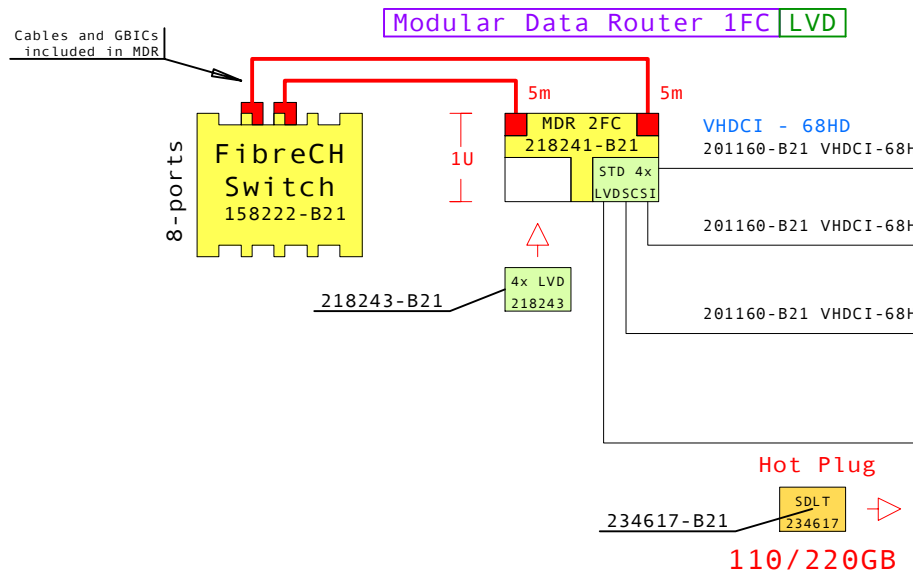
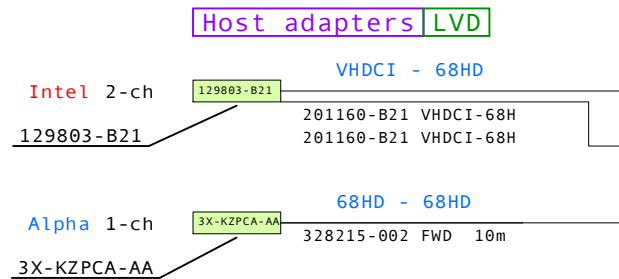
This template is included in the present GOLDEN EGGS Software kit.

**ESL9198**

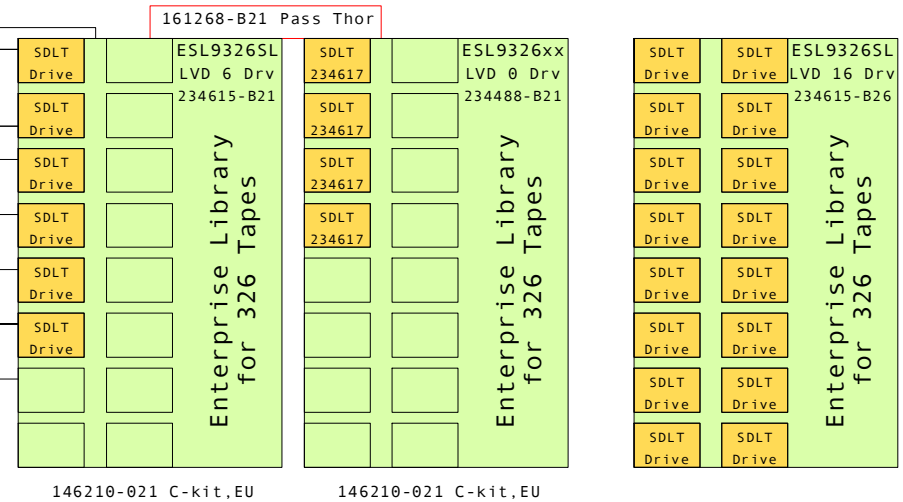
ESL9198SL Enterprise Library  
 GOLDEN EGGS Visuals, Helsinki

SCSI terms:

- LVD Low Voltage Differential
- HVD High Voltage Differential
- VHDCI Very High Density Cable Interconnect
- 68HD 68 pin High Density



**ESL9326SL Enterprise Library LVD**



Max 5 tape libraries together

BOM of LVD options above

	Part Number	Qty	Description
1	234488-B21	1	ESL9326xx Library 0 driv 110/220GB LVD
1.1	234617-B21	4	ESL9k Hot-plug Drive 110/220GB LVD
2	234615-B21	1	ESL9326SL Library 6 driv 110/220GB LVD
3	234615-B26	1	ESL9326SL Library 16 driv 110/220GB LVD
4	158222-B21	1	SAN Switch 8 Ports
5	218241-B21	1	Mod. Data Router 2xFC,4xLVD,4xGBIG,2X5m
6	161268-B21	1	ESL9000 Pass thorough mechanism kit
7	201160-B21	5	Ultra Cbl VHDCI - 68HD 10m
8	328215-002	1	Wide Differential SCSI Cable Kit 10m
9	146210-021	2	ESL9000 Power Country Kit, Europe
10	218243-B21	1	Mod. Data Router 4-port LVDscsi option
11	234617-B21	1	ESL9k Hot-plug Drive 110/220GB LVD
12	129803-B21	1	Dual CH UWD SCSI dapter LVD 2xVHDCI
13	3X-KZPCA-AA	1	Single channel LVD adapter

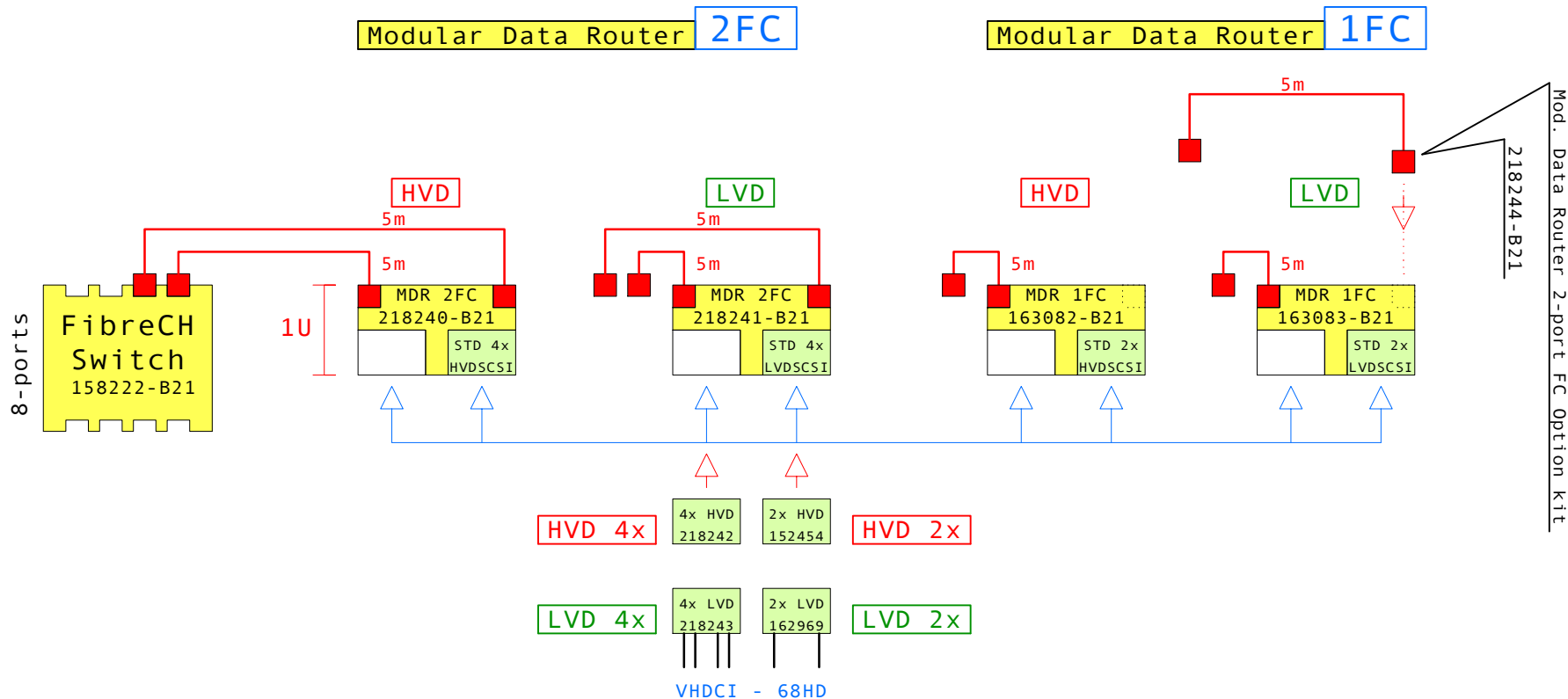
[www.Compaq.com/golden-eggs](http://www.Compaq.com/golden-eggs)  
 Since: Mar-2001

<b>COMPAQ</b>	24-Aug-2001	GTESL9326b
	Matti.Patari@Compaq.com	

ESL9326SL Enterprise Library  
 GOLDEN EGGS Visuals, Helsinki

This template is included in the present GOLDEN EGGS Software kit.

**ESL9326**



SCSI to tape library  
 2 or 4 cables included,  
 6ft 341176-B21

**BOM of options above**

Part Number	Qty	Description
152454-B21	1	Mod. Data Router 2-port HVDscsi option
158222-B21	1	SAN Switch 8 Ports
162969-B21	1	Mod. Data Router 2-port LVDscsi option
163082-B21	1	Mod. Data Router 1xFC,2xHVD,2xGBIG,5m
163083-B21	1	Mod. Data Router 1xFC,2xLDV,2xGBIG,5m
218240-B21	1	Mod. Data Router 2xFC,4xHVD,4xGBIG,2X5m
218241-B21	1	Mod. Data Router 2xFC,4xLVD,4xGBIG,2X5m
218242-B21	1	Mod. Data Router 4-port HVDscsi option
218243-B21	1	Mod. Data Router 4-port LVDscsi option
218244-B21	1	Mod. Data Router 2-port FC Option kit

SCSI terms:

- LVD Low Voltage Differential
- HVD High Voltage Differential
- VHDCI Very High Density Cable Interconnect
- 68HD 68 pin High Density

[www.Compaq.com/golden-eggs](http://www.Compaq.com/golden-eggs)  
 Since: Mar-2001

<b>COMPAQ</b>	23-Mar-2001	GTMDR1
	Matti.Patari@Compaq.com	

MDR Modular Data Router, FC  
 GOLDEN EGGS Visuals, Helsinki

**MDR**

# GOLDEN EGGS

World Services

Alpha Examples

<http://www.compaq.com/golden-eggs>

# GOLDEN EGGS

World Station

Software kits

<http://www.compaq.com/info/golden-eggs/software>

GOLDEN EGGS in eBusiness since 1988

**COMPAQ**

21-Jun-2000 GE-Internet

Matti.Patari@compaq.com

GOLDEN EGGS Internet Outlets  
GOLDEN EGGS Visuals, Helsinki