

Ethernet

AlphaServer GS60 6/525 Windows NT System

FDDI

Windows NT
525MHz EV6

AlphaServer GS60

BN19C-2E
SN-LKQ97-AF

Monit
15" C

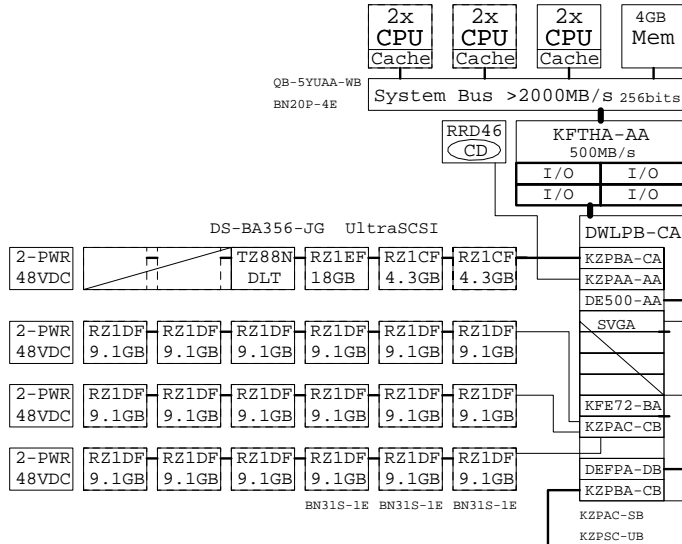
GOLDEN EGGS

Bill of Material

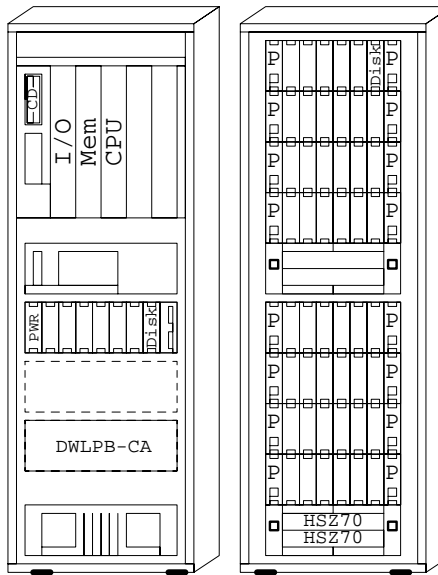
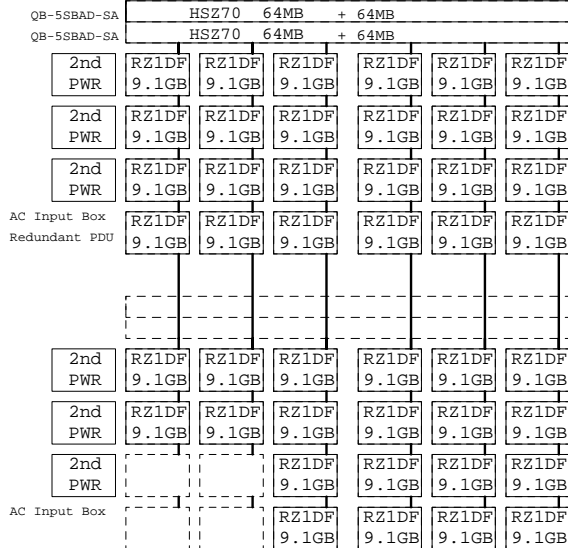
Drawing: p_GTANGS601

Date: 1999-01-07 17:36:11

Code	Quant.	Description
762P5-AX	2	ASRV GS60/140 SMP Module WNT
BN19C-2E	1	PowerCable 240V, C-Europe
BN20P-4E	1	European AC Plug
BN31S-1E	3	16 bit SCSI for KZPSC-BA356
DEFPA-DB	1	PCI to FDDI DAS
DN-383GG-A9	1	AlphaServer GS60 WNT 4GB SYS
DS-BA35X-HE	2	AC INPUT BOX BA370
DS-BA35X-HH	6	180W power supply Blu SBB
DS-BA35X-HJ	4	48VDC 180W Power Supply Blue
DS-BA356-JG	3	Ultra BA356 for Tlaser Sing Ch
DS-HSSIM-AB	2	64MB Cache Upg for HSZ70
DS-RZ1CF-VW	1	4,3GB 7200 UltraSCSI Disk
DS-RZ1DF-VW	62	9.1GB 7200 UltraSCSI 16bit
DS-RZ1EF-VW	1	18.2GB 7200 UltraSCSI Disk
DS-SW6XP-AB	1	PDU REDUNDANT FOR SW600 50Hz
DS-SWXES-AB	1	ESA GEN BUS BUILDING BLK 50HZ
KZPAC-CB	1	3 Chan. SCSI RAID 8MB UltraW
KZPAC-SB	1	Dual bulk head
KZPBA-CB	1	PCI to UltraSCSI Adapter UWDif
KZPSC-UB	1	Battery Backup for KZPSC
QB-5SBAD-SA	2	HSZ70 SW NTA LIC/MCD
QB-5YUAA-WB	1	WNT SV ENT1-8 LIC/MCD English
SN-LKQ97-AF	1	102 KEY KYBD, WIN, Finnish
SN-VRQV5-24	1	COMPAQ V55 CLR MON,NH,TC095
TZ88N-VA	1	20/40GB SE DLT-tape StorageWor



ESA 10000



This configuration diagram is generated with fresh GOLDEN EGGS Software.
This template is included in the present GOLDEN EGGS Software kit.

NT
GS60

COMPAQ	07-Jan-1999	GTANGS601
	www.digital.com/golden-eggs	
AlphaServer GS60 WNT System		
GOLDEN EGGS Visual Configurations, Helsinki		