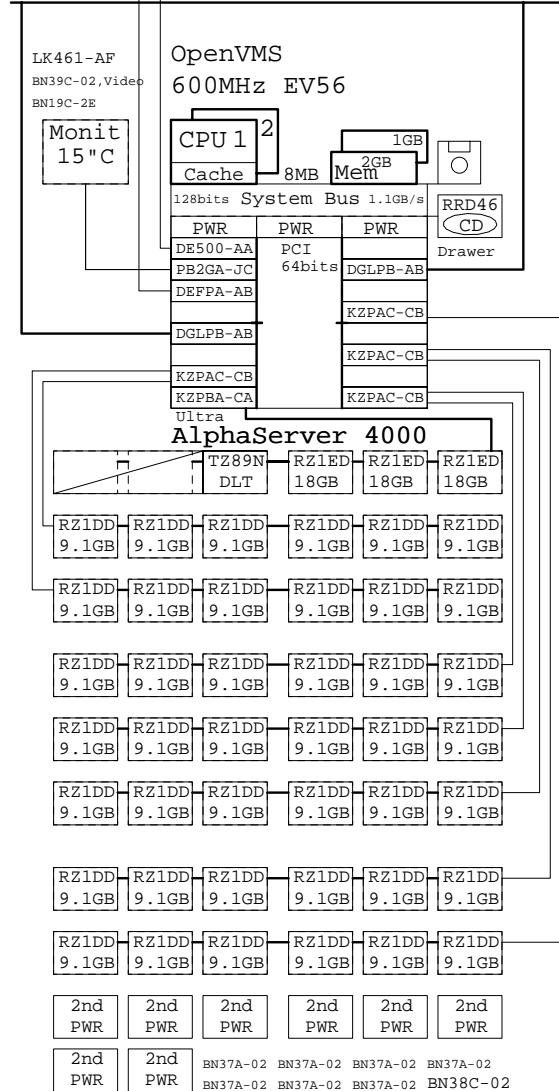


FDDI
Ethernet
ATM

4000 media I/O server

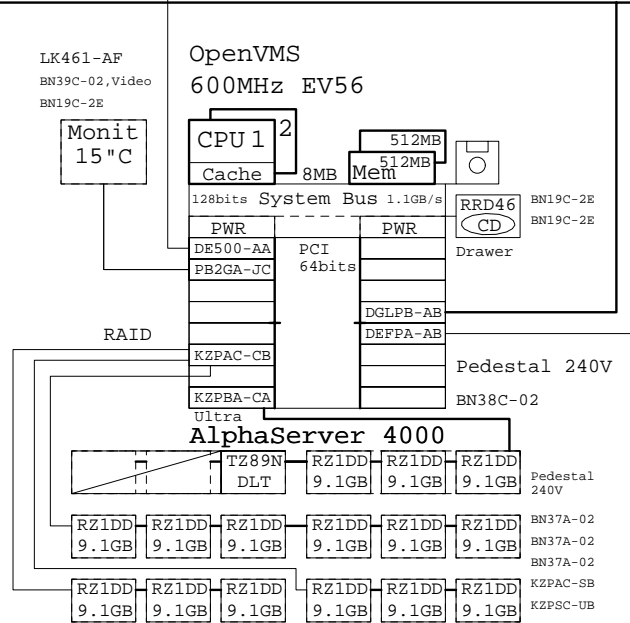


QL-MT3AA-3H OpenVMS Conc 64 Lic
 QA-001AA-GZ OVMS Full Documentat
 QA-03XAA-H8 SW LP PKG V/A DOC CD
 QA-MT1AD-H8 OVMS Alpha Base V7.1
 QL-2A1AE-AA Vol Shad V/A Lic
 QL-MTHAE-AA DECnet/OSI EFU V/A L

Code	Quant.	Description
BA36R-RC	8	RH ULTRASCSCI SHELF CAB SINGLE
BN19C-2E	1	PowerCable 240V, C-Europe
BN37A-02	7	Ultra Cbl VHDCI - VHDCI
BN38C-02	1	Ultra Cbl VHDCI - 68HD
BN39C-02	1	1.8 Video Extension Cable ****
CK-BA30A-BB	1	CAB DRAWER KIT W/SLIDERS 240V
CK-BA35X-HH	8	180W Stor.Shelf PWR for AS4x00
DE500-AA	1	PCI/FAST Ethernet, CAT 5 UTP
DEFPA-AB	1	PCI to FDDI SAS
DGLPB-AB	2	ATM Adapter
DS-RZ1DD-VW	42	9.1GB 10000r UltraSCSI disk
DS-RZ1ED-VW	3	18.2GB 10000r UltraSCSI disk
DS-TZ89N-VW	1	35/70GB SE DLT-tape StorageWor
DY-53LED-GA	1	AS4000 5/600 DRW VMS 2GB 16 SL
H7291-AA	1	AS4XXX POWER SUPPLY
H9A10-MD	1	M-Series Cab,H9A10,Blue,240V
H9C10-MC	1	Ballast Kit for cabinets
H9C10-TF	1	FrontDoorKit Blue for H9A10
KN306-AC	1	AS 4x00 600MHz VMS SMP UPG
KZPAC-CB	4	3 Chan. SCSI RAID 8MB UltraW
KZPBA-CA	1	PCI to UltraSCSI Adapter UWSE
LK461-AF	1	VMS STYLE KEYBOARD, Fin/Swed
MS332-FA	1	AS4100 1GB MEMORY OPTION 50NS
PB2GA-JC	1	PCI GRAPHICS MOD, 1MB DRAM
QA-001AA-GZ	1	OVMS Full Documentation
QA-03XAA-H8	1	SW LP PKG V/A DOC CDROM
QA-MT1AD-H8	1	OVMS Alpha Base V7.1-1H2 CD
QL-2A1AE-AA	1	Vol Shad V/A Lic
QL-MT3AA-3H	1	OpenVMS Conc 64 Lic
QL-MTHAE-AA	1	DECnet/OSI EFU V/A License
SN-VRQV5-24	1	COMPAQ V55 CLR MON,NH,TCO95
YS-ASCAA-AA	1	M-CAB/SYS/STO Assembly

YS-ASCAA-AA M-CAB/SYS/STO Assemb
 Drawer Kit 240V
 M-Cabinet
 240V
 Blue front door
 Ballast kit

4000 pedestal system



Code	Quant.	Description
BA30P-BA	1	AS4100 Ped Kit for Europe
BA36R-SD	2	RH ULTRASCSCI SHELF PED SINGLE
BA36R-SE	1	RH ULTRASCSCI SHELF PED SPLITB
BN19C-2E	3	PowerCable 240V, C-Europe
BN37A-02	3	Ultra Cbl VHDCI - VHDCI
BN38C-02	1	Ultra Cbl VHDCI - 68HD
BN39C-02	1	1.8 Video Extension Cable ****
DE500-AA	1	PCI/FAST Ethernet, CAT 5 UTP
DEFPA-AB	1	PCI to FDDI SAS
DGLPB-AB	1	ATM Adapter
DS-RZ1DD-VW	15	9.1GB 10000r UltraSCSI disk
DS-TZ89N-VW	1	35/70GB SE DLT-tape StorageWor
DY-53LED-EA	1	AS4000 5/600 DRW VMS 512 16 SL
KN306-AC	1	AS 4x00 600MHz VMS SMP UPG
KZPAC-CB	1	3 Chan. SCSI RAID 8MB UltraW
KZPAC-SB	1	Dual bulk head
KZPBA-CA	1	PCI to UltraSCSI Adapter UWSE
KZPSC-UB	1	Battery Backup for KZPSC
LK461-AF	1	VMS STYLE KEYBOARD, Fin/Swed
MS330-EA	1	AS4xxx 512MB MEMORY OPTI 60NS
PB2GA-JC	1	PCI GRAPHICS MOD, 1MB DRAM
QA-001AA-GZ	1	OVMS Full Documentation
QA-03XAA-H8	1	SW LP PKG V/A DOC CDROM
QA-MT1AD-H8	1	OVMS Alpha Base V7.1-1H2 CD
QL-2A1AE-AA	1	Vol Shad V/A Lic
QL-MT3AA-3H	1	OpenVMS Conc 64 Lic
QL-MTHAE-AA	1	DECnet/OSI EFU V/A License
SN-VRQV5-24	1	COMPAQ V55 CLR MON,NH,TCO95

COMPAQ 02-Jan-1999 GTAV401
 www.digital.com/golden-eggs

This configuration diagram is generated with fresh GOLDEN EGGS Software.
 This template is included in the present GOLDEN EGGS Software kit.

4000

AlphaServer 4000 OpenVMS systems
 GOLDEN EGGS Visual Configurations, Helsinki