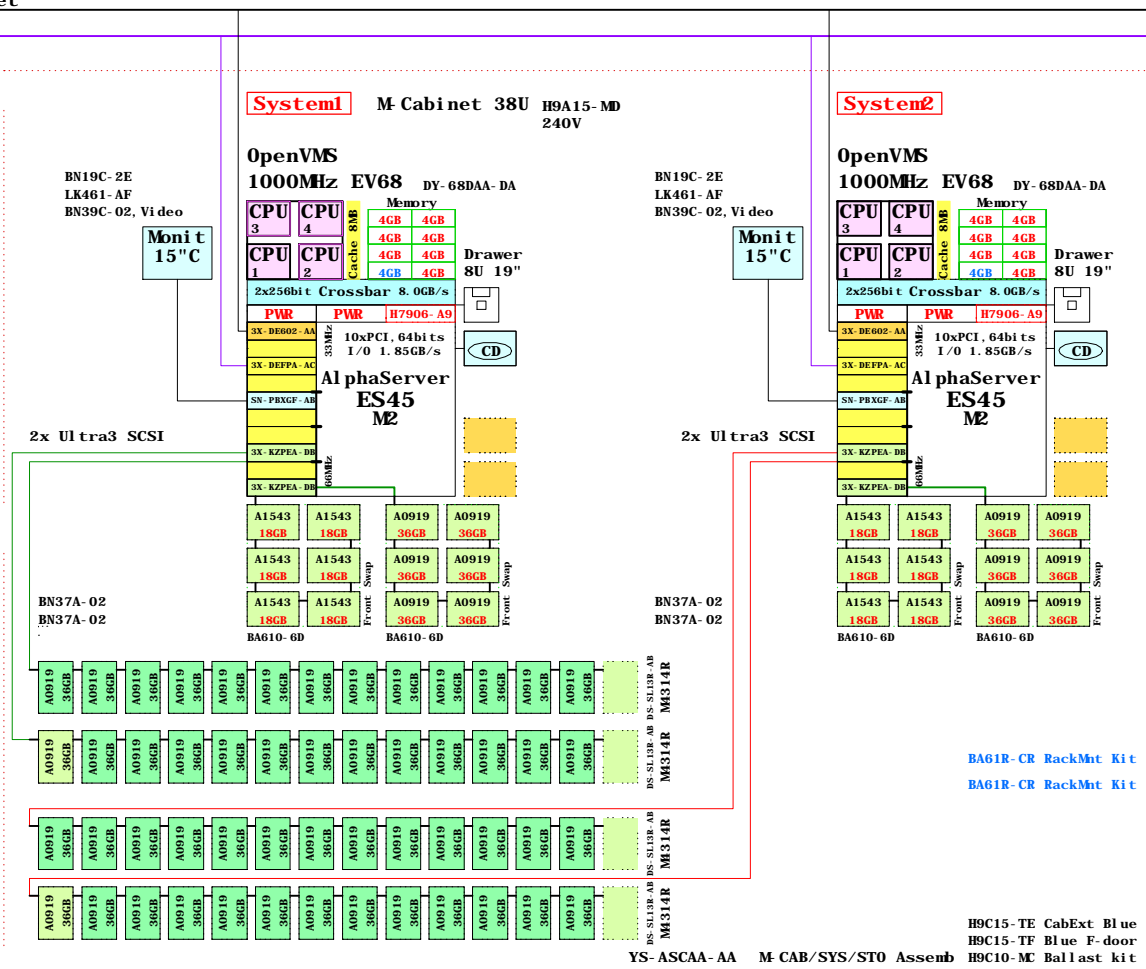


ES45 Model 2 Systems in Cabinet M15

Ethernet

FDDI

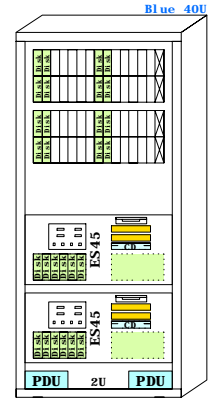


Bill of material for Cabinet and System 1

Part Number	Qty	Description
1	1	M Series Cab, H9A15, Blue, 240V 38U
1.1	1	3R-A2832-AA 1 COMPAQ Monitor S510 15" NH, EU
1.2	1	BA61R-CR 1 ES45 Rackmount Kit, 3x pwr cords
1.3	1	BN19C-2E 1 PowerCable 240V, C-Europe
1.4	2	BN37A-02 2 Ultra Cbl VHDCl - VHDCl
1.5	1	BN39C-02 1 1.8 Video Extension Cable ****
1.6	1	DS-SL13R-AB 1 Modula M314R single buss, 14x 1.0" Int
1.6.1	13	3R-A0919-AA 13 36.4GB Uscsi3 10k Universal disk 1"
1.7	1	DS-SL13R-AB 1 Modula M314R single buss, 14x 1.0" Int
1.7.1	13	3R-A0919-AA 13 36.4GB Uscsi3 10k Universal disk 1"
1.8	1	DY-68DAA-DA 1 ES45 68/1000 Model 2 4GB OVMS 10PCI DWR
1.8.1	1	3X-DE602-AA 1 10/100 2xChannel Ethernet, Twisted
1.8.2	1	3X-DEFFA-AC 1 PCI to FDDI SAS MMF with SC, Universal
1.8.3	2	3X-KZPEA-DB 2 PCI 2-chan SCSI Ultra3 LVD
1.8.4	1	BA610-6D 1 ES40 Disk Drive Cage, 6-Bay
1.8.4.1	6	3R-A1543-AA 6 18.2GB Uscsi3 15k Universal disk 1"
1.8.5	1	BA610-6D 1 ES40 Disk Drive Cage, 6-Bay
1.8.5.1	6	3R-A0919-AA 6 36.4GB Uscsi3 10k Universal disk 1"
1.8.6	1	H7906-A9 1 ES40 Power Sply, 2nd or 3rd
1.8.7	3	KN610-DC 3 ES45 68/1000MHz OVMS SMP 8mb cache
1.8.8	7	MS620-DA 7 ES45 4GB Memory Option
1.8.9	1	SN-PBXGF-AB 1 3DLabs Oxygen VXI 32MB PCI 2D graphics
1.9	1	H9C10-MC 1 Ballast Kit for cabinets
1.10	1	H9C15-TE 1 Rear cab extender for H9A15 Blue
1.11	1	H9C15-TF 1 FrontDoorKit Blue for H9A15
1.12	1	LK461-AF 1 VMS STYLE KEYBOARD, Fin/Swed
1.13	1	YS-ASCAA-AA 1 M CAB/SYS/STO Assembly

Bill of material for System 2

Part Number	Qty	Description
1	1	DY-68DAA-DA 1 ES45 68/1000 Model 2 4GB OVMS 10PCI DWR
1.1	1	3X-DE602-AA 1 10/100 2xChannel Ethernet, Twisted
1.2	1	3X-DEFFA-AC 1 PCI to FDDI SAS MMF with SC, Universal
1.3	2	3X-KZPEA-DB 2 PCI 2-chan SCSI Ultra3 LVD
1.4	1	BA610-6D 1 ES40 Disk Drive Cage, 6-Bay
1.4.1	6	3R-A1543-AA 6 18.2GB Uscsi3 15k Universal disk 1"
1.5	1	BA610-6D 1 ES40 Disk Drive Cage, 6-Bay
1.5.1	6	3R-A0919-AA 6 36.4GB Uscsi3 10k Universal disk 1"
1.6	1	H7906-A9 1 ES40 Power Sply, 2nd or 3rd
1.7	3	KN610-DC 3 ES45 68/1000MHz OVMS SMP 8mb cache
1.8	7	MS620-DA 7 ES45 4GB Memory Option
1.9	1	SN-PBXGF-AB 1 3DLabs Oxygen VXI 32MB PCI 2D graphics
2	1	DS-SL13R-AB 1 Modula M314R single buss, 14x 1.0" Int
2.1	13	3R-A0919-AA 13 36.4GB Uscsi3 10k Universal disk 1"
3	1	DS-SL13R-AB 1 Modula M314R single buss, 14x 1.0" Int
3.1	13	3R-A0919-AA 13 36.4GB Uscsi3 10k Universal disk 1"
4	1	3R-A2832-AA 1 COMPAQ Monitor S510 15" NH, EU
5	1	BA61R-CR 1 ES45 Rackmount Kit, 3x pwr cords
6	1	BN39C-02 1 1.8 Video Extension Cable ****
7	1	BN19C-2E 1 PowerCable 240V, C-Europe
8	2	BN37A-02 2 Ultra Cbl VHDCl - VHDCl
9	1	LK461-AF 1 VMS STYLE KEYBOARD, Fin/Swed



AlphaServer ES45 In H9A15 cabinet

ES45 OVMS

This template is included in the present GOLDEN EGGS Software kit.

COMPAQ 15-Oct-2001 GTAVES453
 Since: Oct-2001
 Matti.Patari@compaq.com

AlphaServer ES45 OVMS Cabinet
 GOLDEN EGGS Visuals, Helsinki