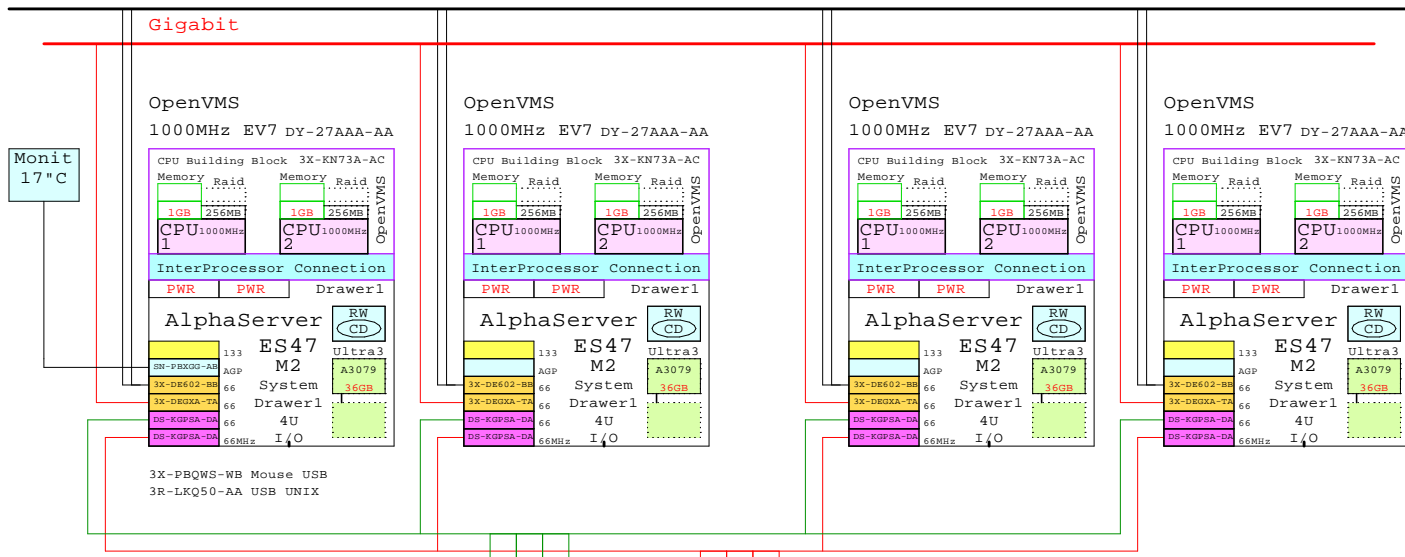


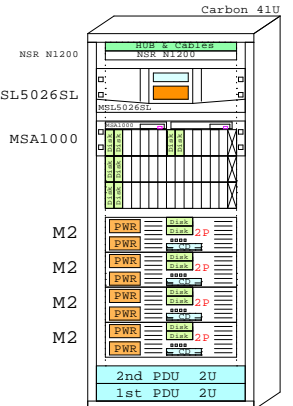
AlphaServer ES47 M2 OpenVMS Cluster

Ethernet 10/100

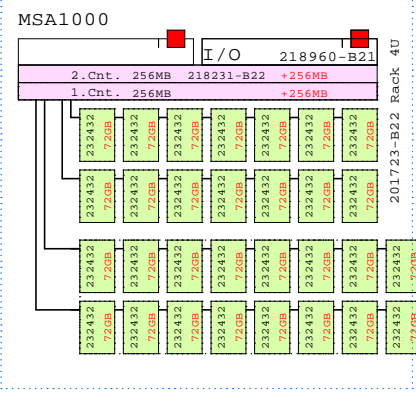


- 221692-B22 LC-LC 5m
- 221692-B22 LC-LC 5m
- 221692-B22 LC-LC 5m
- 221692-B22 LC-LC 5m
- 221692-B22 LC-LC 5m
- 221692-B22 LC-LC 5m

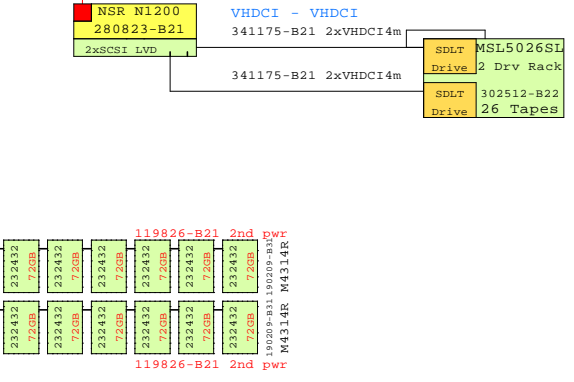
- 3X-H9A45-ZD 11000 CPU-Cabinet 41U noPDU
- 3X-H7606-AB PDU 380/415V
- 3X-H7606-AB PDU 380/415V
- YS-ASCAA-AA Factory Integration



AlphaServer ES47 M2 In 41U Cabinet



6x7 x72.8GB = 3TB



BOM for this system

Part Number	Qty	Description
201723-B22	1	MSA1000 RAID Array 256MB Rack 4U
190209-B31	1	Modula M4314R single buss,14x 1.0"
232432-B22	14	72.8GB 10000r Ultra3 SCSI disk 1"
190209-B31	1	Modula M4314R single buss,14x 1.0"
218231-B22	14	72.8GB 10000r Ultra3 SCSI disk 1"
254786-B21	1	256MB Battery Backed Cache Upgrade
218960-B21	1	MSA1000 FC I/O module with 2Gb SFP-SW
221470-B21	1	Opt.Short Wave Tranceiver 2Gb/s SFP-SW
232432-B22	14	72.8GB 10000r Ultra3 SCSI disk 1"
254786-B21	1	256MB Battery Backed Cache Upgrade
DY-27AAA-AA	1	AS ES47 Model 2 System OpenVMS 4U
3R-A3079-AA	1	36.4GB Uscsi3 15k Universal disk 1"
3X-DE602-BB	1	10/100 2xChannel Fast Ethernet, UTP
3X-DEGXA-TA	1	GigabitEthernet single-p 66MHz 3.3V
3X-KN73A-AC	1	ES47 Cab CPU-BB 2xEV7 1000MHz OpenVMS
3X-MS7AB-BA	1	GS-ES 1GB Memory Option 4x256 RDRAM
3X-MS7AB-BC	1	GS-ES 256MB RAID Memory 1x256 RDRAM
3X-MS7AB-BA	1	GS-ES 1GB Memory Option 4x256 RDRAM
3X-MS7AB-BC	1	GS-ES 256MB RAID Memory 1x256 RDRAM
DS-KGPSA-DA	2	PCI to Fibre Channel adapter,2Gb/s
DY-27AAA-AA	1	AS ES47 Model 2 System OpenVMS 4U
3R-A3079-AA	1	36.4GB Uscsi3 15k Universal disk 1"
3X-DE602-BB	1	10/100 2xChannel Fast Ethernet, UTP
3X-DEGXA-TA	1	GigabitEthernet single-p 66MHz 3.3V
3X-KN73A-AC	1	ES47 Cab CPU-BB 2xEV7 1000MHz OpenVMS
3X-MS7AB-BA	1	GS-ES 1GB Memory Option 4x256 RDRAM
3X-MS7AB-BC	1	GS-ES 256MB RAID Memory 1x256 RDRAM
3X-MS7AB-BA	1	GS-ES 1GB Memory Option 4x256 RDRAM
3X-MS7AB-BC	1	GS-ES 256MB RAID Memory 1x256 RDRAM
DS-KGPSA-DA	2	PCI to Fibre Channel adapter,2Gb/s
DY-27AAA-AA	1	AS ES47 Model 2 System OpenVMS 4U
3R-A3079-AA	1	36.4GB Uscsi3 15k Universal disk 1"
3X-DE602-BB	1	10/100 2xChannel Fast Ethernet, UTP
3X-DEGXA-TA	1	GigabitEthernet single-p 66MHz 3.3V
3X-KN73A-AC	1	ES47 Cab CPU-BB 2xEV7 1000MHz OpenVMS
3X-MS7AB-BA	1	GS-ES 1GB Memory Option 4x256 RDRAM
3X-MS7AB-BC	1	GS-ES 256MB RAID Memory 1x256 RDRAM
3X-MS7AB-BA	1	GS-ES 1GB Memory Option 4x256 RDRAM
3X-MS7AB-BC	1	GS-ES 256MB RAID Memory 1x256 RDRAM
DS-KGPSA-DA	2	PCI to Fibre Channel adapter,2Gb/s
DY-27AAA-AA	1	AS ES47 Model 2 System OpenVMS 4U
3R-A3079-AA	1	36.4GB Uscsi3 15k Universal disk 1"
3X-DE602-BB	1	10/100 2xChannel Fast Ethernet, UTP
3X-DEGXA-TA	1	GigabitEthernet single-p 66MHz 3.3V
3X-KN73A-AC	1	ES47 Cab CPU-BB 2xEV7 1000MHz OpenVMS
3X-MS7AB-BA	1	GS-ES 1GB Memory Option 4x256 RDRAM
3X-MS7AB-BC	1	GS-ES 256MB RAID Memory 1x256 RDRAM
3X-MS7AB-BA	1	GS-ES 1GB Memory Option 4x256 RDRAM
3X-MS7AB-BC	1	GS-ES 256MB RAID Memory 1x256 RDRAM
DS-KGPSA-DA	2	PCI to Fibre Channel adapter,2Gb/s
SN-PBXGG-AB	1	ATI Radeon 7500 2D AGP graphics accelara
258707-B21	1	SAN Switch 2/8-EL Ports 8, 2Gb/s
221470-B21	6	Opt.Short Wave Tranceiver 2Gb/s SFP-SW
258707-B21	1	SAN Switch 2/8-EL Ports 8, 2Gb/s
221470-B21	5	Opt.Short Wave Tranceiver 2Gb/s SFP-SW
302512-B22	1	MSL5026SL SDLT Lib.2xDrv.Rack,Gras_LVD
3X-H9A45-ZD	1	41U 11000-Series CPU-Cabinet,no PDUs
280823-B21	1	NetW Stor Rout N1200 FC,2xLVD
YS-ASCAA-AA	1	System Factory Integration
3R-A3389-AA	1	COMPAQ Monitor P720 17" NH, EU VGAcable
3X-H7606-AB	2	PDU 380/415V
3X-PBQWS-WB	1	Compaq 3-button mouse, USB
341175-B21	2	VHDCI to VHDCI SCSI Cable 12ft
3R-LKQ50-AA	1	U.S/English keyboard Tru64 UNIX, USB
221692-B22	10	FC ShortWave 5m cable LC-LC 2Gb-2Gb
119826-B21	2	Modula M42/314R 2nd power supply

www.Compaq.com/golden-eggs

Since:Nov-2002

	08-Jan-2003	GTAVES47M2b
		Matti.Patari@HP.com

AlphaServer ES47 M2 OVMS Cluster
GOLDEN EGGS Visuals, Helsinki