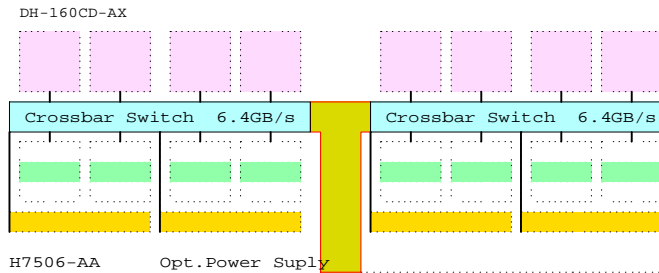


AlphaServer GS160 OpenVMS System

Ethernet
FDDI

OpenVMS
731MHz EV67

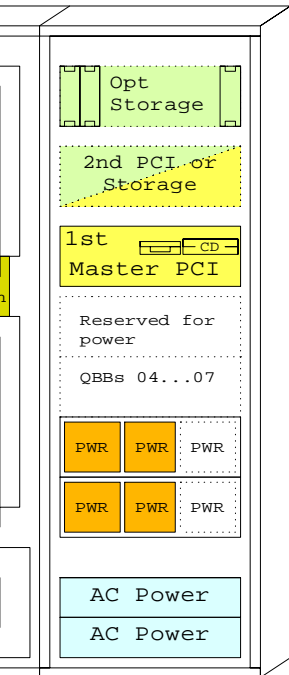
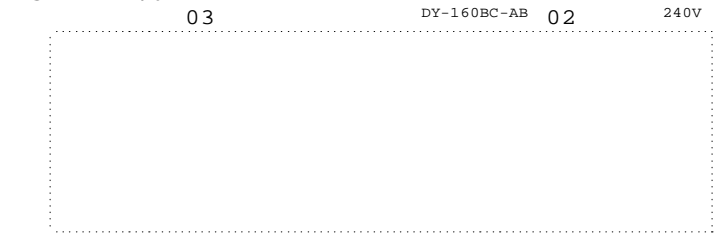
AlphaServer GS160 Model 8



Field upgrade,
02-03 QBB

BOM for this M08--M16 upgrade

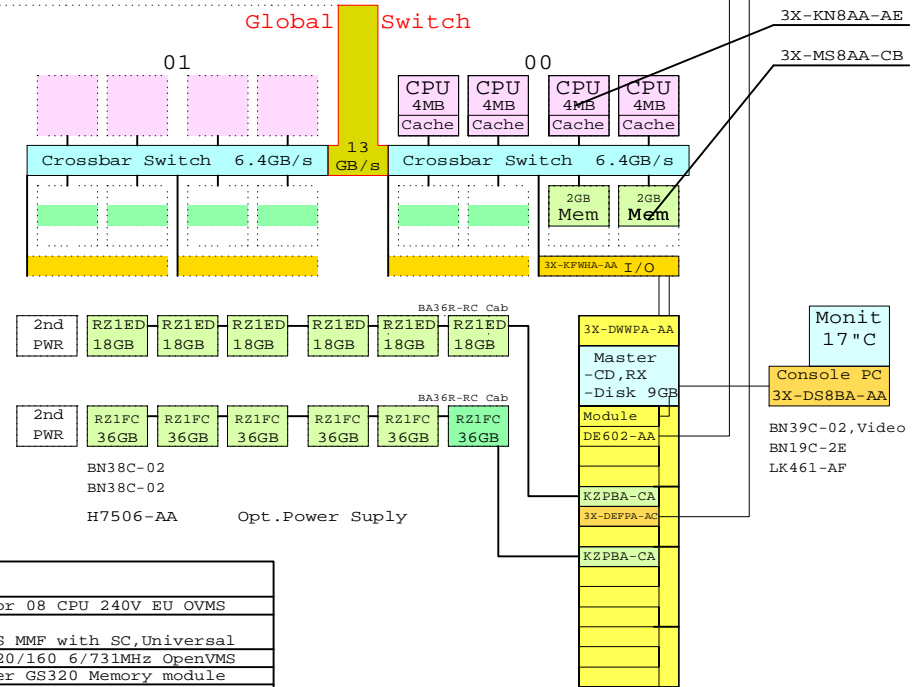
Part Number	Qty	Description
1	1	DH-160CD-AX 2xQBB AlphaServer GS160 upg. 08->16
1.1	1	H7506-AA 1 Power Supply for AS GS160/320 Need: 1-4



AlphaServer GS160

BOM for this system

Part Number	Qty	Description
1	1	DY-160BC-AB 1 AS GS160 M08 for 08 CPU 240V EU OVMS
1.1	1	3X-DEFFA-AC 1 PCI to FDDI SAS MMF with SC,Universal
1.2	3	3X-KN8AA-AE 3 CPU Module GS320/160 6/731MHz OpenVMS
1.3	2	3X-MS8AA-CB 2 2GB AlphaServer GS320 Memory module
1.4	1	BA36R-RC 1 RH ULTRASCSI SHELF CAB SINGLE
1.4.1	1	CK-BA35X-HH 1 180W Stor.Shelf PWR for AS4x00
1.4.2	6	DS-RZ1FC-VW 6 36GB 10000r UltraSCSI Disk
1.5	1	BA36R-RC 1 RH ULTRASCSI SHELF CAB SINGLE
1.5.1	1	CK-BA35X-HH 1 180W Stor.Shelf PWR for AS4x00
1.5.2	6	DS-RZ1ED-VW 6 18.2GB 10000r UltraSCSI disk
1.6	2	BN38C-02 2 Ultra Cbl VHDCI - 68HD
1.7	1	H7506-AA 1 Power Supply for AS GS160/320 Need: 1-4
1.8	2	KZPBA-CA 2 PCI to UltraSCSI Adapter UWSE
2	1	3R-VRQP7-24 1 COMPAQ P75 CLR MON,NH,TCO99
3	1	3X-DS8BA-AA 1 PC-based system console, tower, US
4	1	BN39C-02 1 1.8 Video Extension Cable ****
5	1	BN19C-2E 1 PowerCable 240V, C-Europe
6	1	LK461-AF 1 VMS STYLE KEYBOARD, Fin/Swed



www.Compaq.com/golden-eggs
Since: May-2000

COMPAQ	11-Sep-2000	GTAVGS1601
	Matti.Patari@compaq.com	

AlphaServer GS160 OVMS System
GOLDEN EGGS Visuals, Helsinki

This template is included in the present GOLDEN EGGS Software kit.

GS160

OVMS