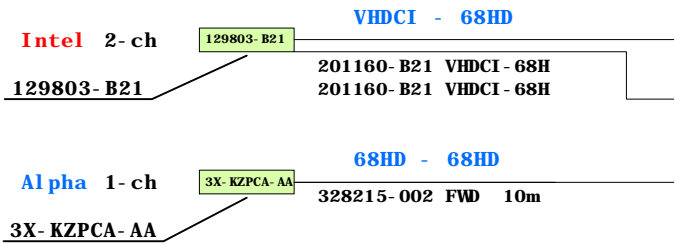


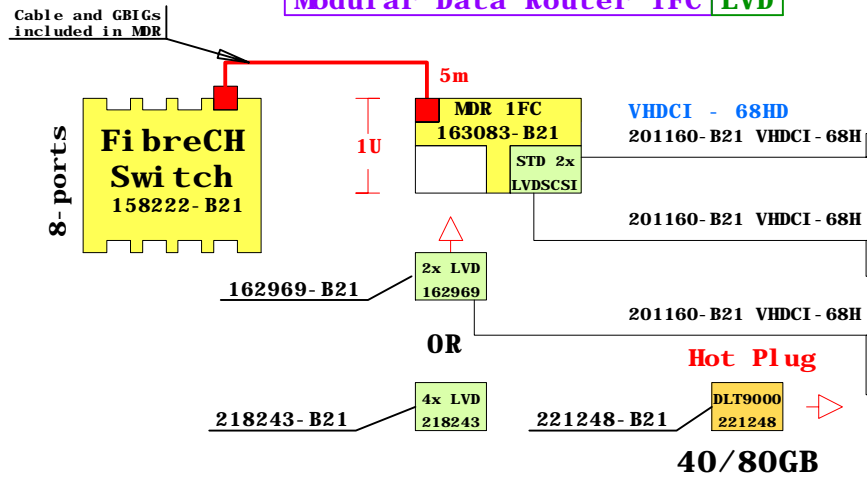
**Host adapters LVD**



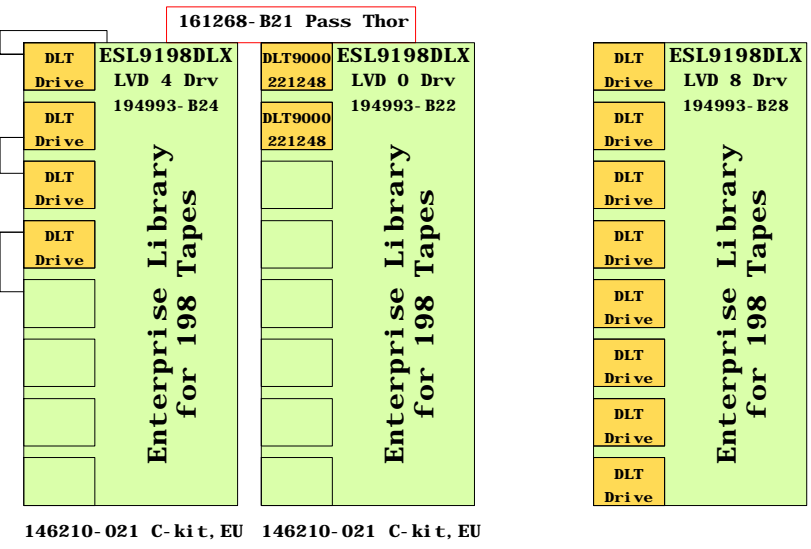
**SCSI terms:**

- LVD** Low Voltage Differential
- HVD** High Voltage Differential
- VHDCI** Very High Density Cable Interconnect
- 68HD** 68 pin High Density

**Modular Data Router 1FC LVD**



**ESL9198DLX Enterprise Library LVD**



Max 5 tape libraries together

**BOM of LVD options above**

	Part Number	Qty	Description
1	194993- B21	1	ESL9198DLX 198- Slot, 0-Dr., DLT, LVD
1.1	221248- B21	2	ESL 9000 Hot-plug Drive 40/80GB LVD
2	194993- B24	1	ESL9198DLX 198- Slot, 4-Dr., DLT, LVD
3	194993- B28	1	ESL9198DLX 198- Slot, 8- Dr., DLT, LVD
4	158222- B21	1	SAN Switch 8 Ports
5	163083- B21	1	Mod. Data Router 1xFC, 2xLDV, 2xGBIG, 5m
6	161268- B21	1	ESL9000 Pass thorough mechanism kit
7	201160- B21	5	Ultra Cbl VHDCI - 68HD 10m
8	146210- 021	2	ESL9000 Power Country Kit, Europe
9	328215- 002	1	Wide Differential SCSI Cable Kit 10m
10	162969- B21	1	Mod. Data Router 2- port LVDscsi option
11	218243- B21	1	Mod. Data Router 4- port LVDscsi option
12	221248- B21	1	ESL 9000 Hot-plug Drive 40/80GB LVD
13	129803- B21	1	Dual CH UWD SCSI dapter LVD 2xVHDCI
14	3X- KZPCA- AA	1	Single channel LVD adapter

[www.Compaq.com/golden-eggs](http://www.Compaq.com/golden-eggs)

Since: Mar- 2001

<b>COMPAQ</b>	30- Mar- 2001	GTESL9198a
	Matti. Patari@Compaq.com	

This template is included in the present GOLDEN EGGS Software kit.

**ESL9198**

ESL9198DLX Enterprise Library  
 GOLDEN EGGS Visuals, Helsinki