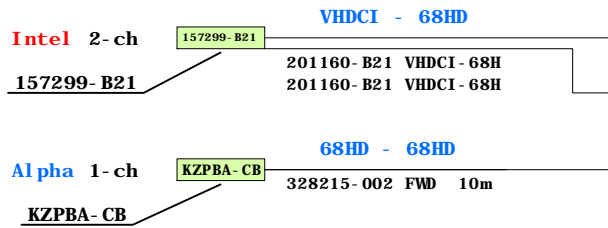


**Host adapters HVD**

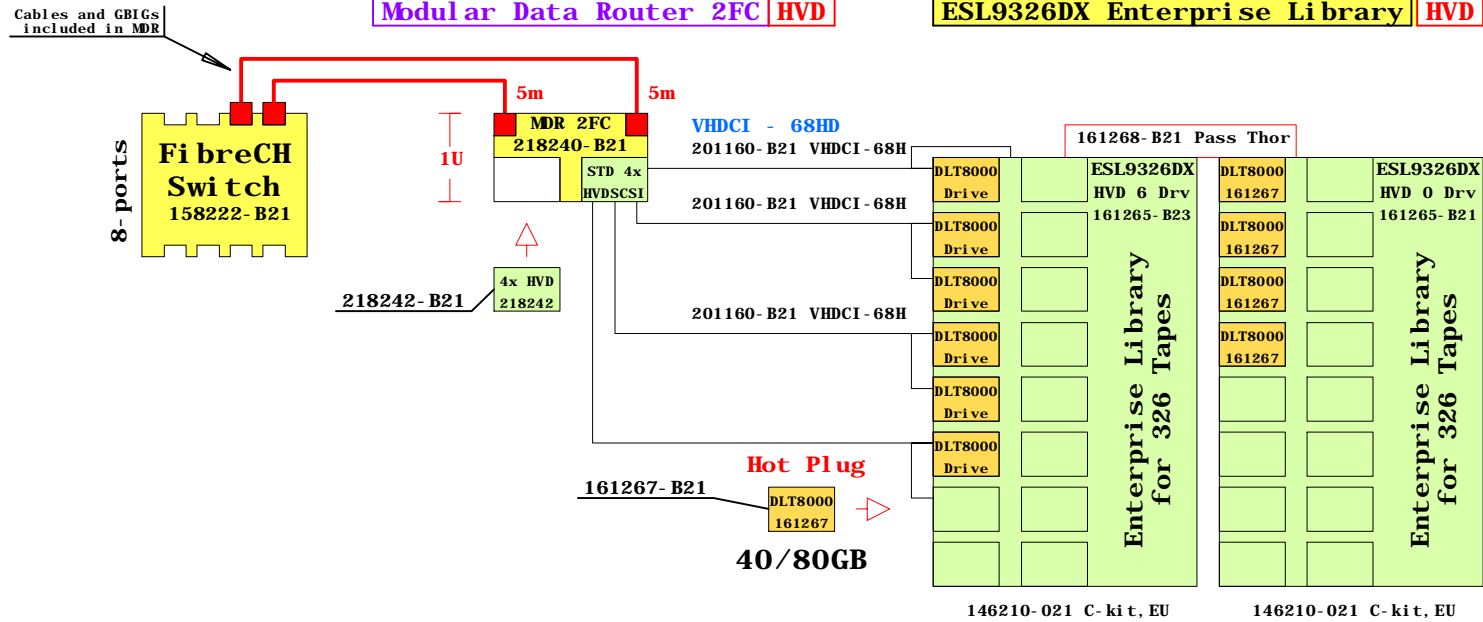


**SCSI terms:**

- LVD Low Voltage Differential
- HVD High Voltage Differential
- VHDCI Very High Density Cable Interconnect
- 68HD 68 pin High Density

**Modular Data Router 2FC HVD**

**ESL9326DX Enterprise Library HVD**



**BOM of HVD options above**

Part Number	Qty	Description
1	161265-B21	1 ESL9326DX Library 0 drives, 40/80GB HVD
1.1	161267-B21	4 ESL9326DX Add-on Drive 40/80GB HVD
2	161265-B23	1 ESL9326DX Library 6 drives, 40/80GB HVD
3	158222-B21	1 SAN Switch 8 Ports
4	218240-B21	1 Mod. Data Router 2xFC, 4xHVD, 4xCBIG, 2X5m
5	161268-B21	1 ESL9000 Pass thorough mechanism kit
6	201160-B21	5 Ultra Cbl VHDCI - 68HD 10m
7	328215-002	1 Wide Differential SCSI Cable Kit 10m
8	146210-021	2 ESL9000 Power Country Kit, Europe
9	161267-B21	1 ESL9326DX Add-on Drive 40/80GB HVD
10	218242-B21	1 Mod. Data Router 4-port HVDscsi option
11	157299-B21	1 Dual CH UWD SCSI dapter HVD 2xVHDCI
12	KZPBA-CB	1 PCI to UltraSCSI Adapter UWdif

Max 5 tape libraries together

**Available ESL9326DX libraries**

Part Number	Qty	Description
161265-B21	1	ESL9326DX Library 0 drives, 40/80GB HVD
161265-B23	1	ESL9326DX Library 6 drives, 40/80GB HVD
161265-B24	1	ESL9326DX Library 8 drives, 40/80GB HVD
161265-B25	1	ESL9326DX Library 10 drives, 40/80GB HVD
161265-B26	1	ESL9326DX Library 12 drives, 40/80GB HVD
161265-B27	1	ESL9326DX Library 14 drives, 40/80GB HVD
161265-B28	1	ESL9326DX Library 16 drives, 40/80GB HVD

[www.Compaq.com/golden-eggs](http://www.Compaq.com/golden-eggs)



30-Mar-2001 GTESL9326a  
Mattti.Patari@Compaq.com

ESL9326DX Enterprise Library  
GOLDEN EGGS Visuals, Helsinki

This template is included in the present GOLDEN EGGS Software kit.

**ESL9326**