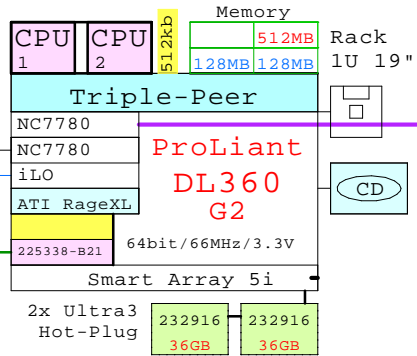
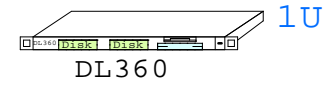
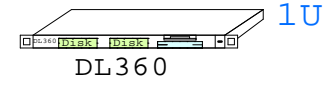
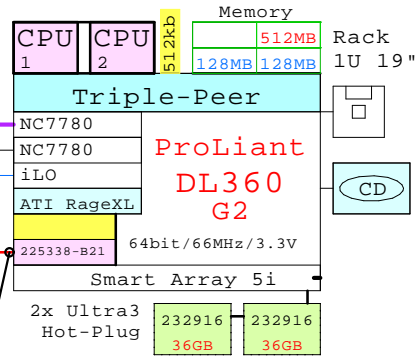


## Compaq ProLiant DL360 2P

Pentium III  
1400MHz 1P 233271-421 EU

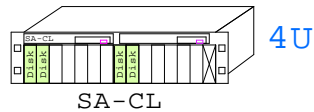
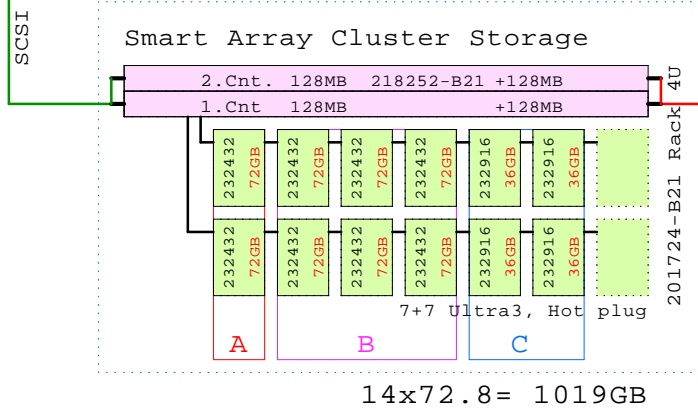


Pentium III  
1400MHz 1P 233271-421 EU



Smart Array 532, RAID Ultra3 2-chan

## Smart Array Cluster Storage



## BOM of this Cluster

Part Number	Qty	Description
1	201724-B21	1 Smart Array Cluster 128MB Rack 4U
1.1	153506-B21	1 128MB Battery Backed Cache Upgrade
1.2	218252-B21	1 Smart Array Cluster Cntrl 2nd 128MB
1.2.1	153506-B21	1 128MB Battery Backed Cache Upgrade
1.3	232432-B22	8 72.8GB 10000r Ultra3 SCSI disk 1"
1.4	232916-B22	4 36GB 15000r Ultra3 SCSI disk 1"
2	233271-421	1 ProLiant DL360 1400MHz 256MB M1 rack 1U
2.1	128279-B21	1 512MB 133HMz ECC SDRAM 1x512MB
2.2	225338-B21	1 Smart Array 532, RAID Ultra3 2-chan
2.3	232916-B22	2 36GB 15000r Ultra3 SCSI disk 1"
2.4	233273-B21	1 PIII FCPGA 1400-512kb processor kit
3	233271-421	1 ProLiant DL360 1400MHz 256MB M1 rack 1U
3.1	128279-B21	1 512MB 133HMz ECC SDRAM 1x512MB
3.2	225338-B21	1 Smart Array 532, RAID Ultra3 2-chan
3.3	232916-B22	2 36GB 15000r Ultra3 SCSI disk 1"
3.4	233273-B21	1 PIII FCPGA 1400-512kb processor kit

[www.Compaq.com/golden-eggs](http://www.Compaq.com/golden-eggs)

Since:Feb-2002



04-Jun-2002 GTIDL360b0

Matti.Patari@Compaq.com

# DL360 2P

ProLiant DL360 G2 SA-Cluster  
GOLDEN EGGS Visuals, Helsinki