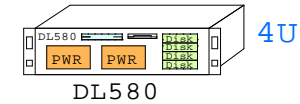
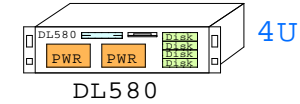
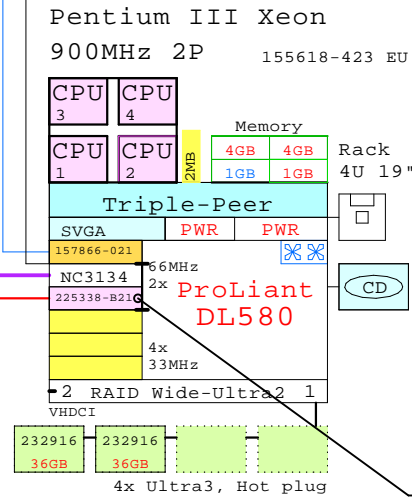
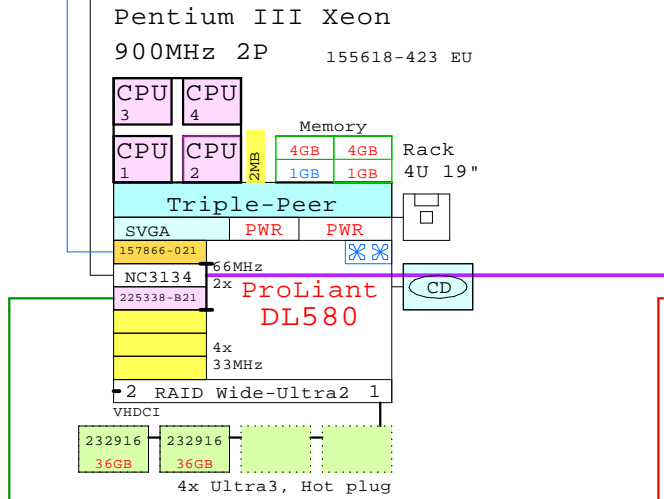
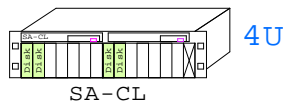
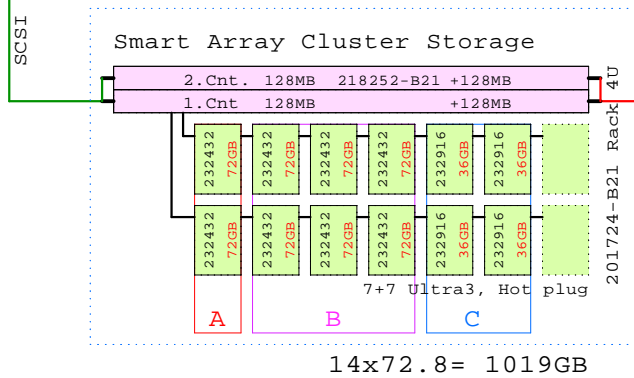


Compaq ProLiant DL580 4P



Smart Array 532, RAID Ultra3 2-chan

Smart Array Cluster Storage



BOM of this Cluster

	Part Number	Qty	Description
1	155618-423	1	ProLiant DL580 2P 900MHz 1GB rack 4U
1.1	157866-021	1	CPQ Remote Insight manager kit
1.2	189081-B21	1	1GB PC100 CL2 ECC SDRAM (4x256MB)
1.3	189083-B21	2	4GB PC100 CL2 ECC SDRAM (4x1GB)
1.4	222627-B21	2	Pentium III Xeon 900-2MB processor kit
1.5	225338-B21	1	Smart Array 532, RAID Ultra3 2-chan
1.6	232916-B22	2	36GB 15000r Ultra3 SCSI disk 1"
2	155618-423	1	ProLiant DL580 2P 900MHz 1GB rack 4U
2.1	157866-021	1	CPQ Remote Insight manager kit
2.2	189081-B21	1	1GB PC100 CL2 ECC SDRAM (4x256MB)
2.3	189083-B21	2	4GB PC100 CL2 ECC SDRAM (4x1GB)
2.4	222627-B21	2	Pentium III Xeon 900-2MB processor kit
2.5	225338-B21	1	Smart Array 532, RAID Ultra3 2-chan
2.6	232916-B22	2	36GB 15000r Ultra3 SCSI disk 1"
3	201724-B21	1	Smart Array Cluster 128MB Rack 4U
3.1	153506-B21	1	128MB Battery Backed Cache Upgrade
3.2	218252-B21	1	Smart Array Cluster Cntrl 2nd 128MB
3.2.1	153506-B21	1	128MB Battery Backed Cache Upgrade
3.3	232432-B22	8	72.8GB 10000r Ultra3 SCSI disk 1"
3.4	232916-B22	4	36GB 15000r Ultra3 SCSI disk 1"

www.Compaq.com/golden-eggs

Since:Feb-2002



14-Feb-2002 GTIDL580b0
Matti.Patari@Compaq.com

ProLiant DL580 2P SA-Cluster
GOLDEN EGGS Visuals, Helsinki

DL580 4P