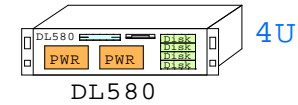
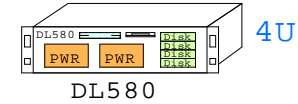
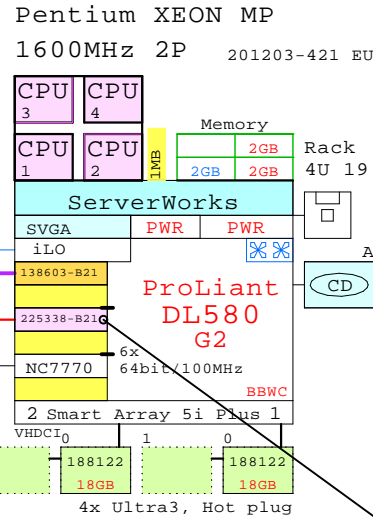
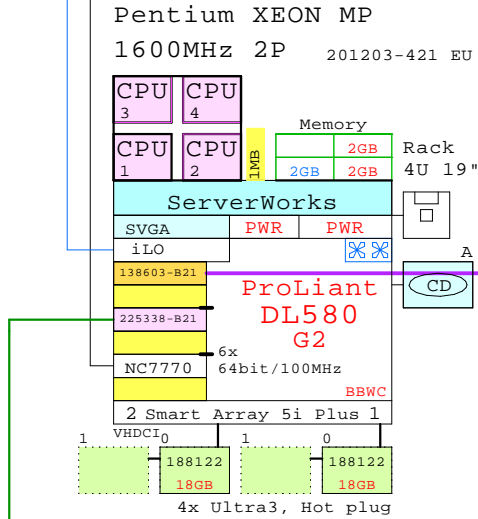
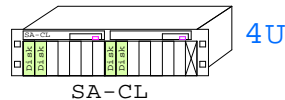
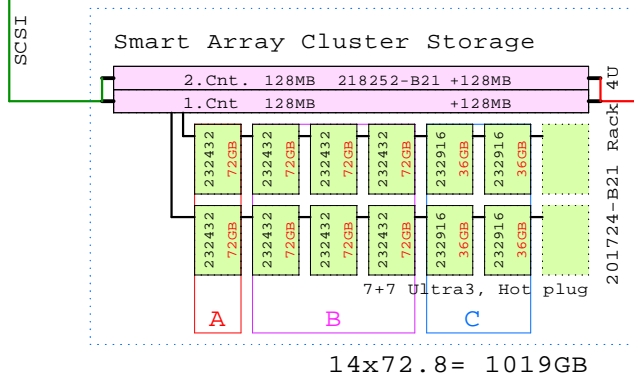


Compaq ProLiant DL580 4P



Smart Array 532, RAID Ultra3 2-chan

Smart Array Cluster Storage



BOM of this Cluster

	Part Number	Qty	Description
1	201203-421	1	ProLiant DL580 G2 2P 1600MHz 2GB 4U rack
1.1	138603-B21	1	Compaq NC3134 Fast Ethernet Dual port
1.2	188122-B22	2	18.2GB 15000r Ultra3 SCSI disk 1"
1.3	202171-B21	2	2GB PC1600 Reg. ECC SDRAM (4x512MB)
1.4	225338-B21	1	Smart Array 532, RAID Ultra3 2-chan
1.5	226776-B21	2	Pentium III Xeon 1600-1MB processor kit
2	201203-421	1	ProLiant DL580 G2 2P 1600MHz 2GB 4U rack
2.1	138603-B21	1	Compaq NC3134 Fast Ethernet Dual port
2.2	188122-B22	2	18.2GB 15000r Ultra3 SCSI disk 1"
2.3	202171-B21	2	2GB PC1600 Reg. ECC SDRAM (4x512MB)
2.4	225338-B21	1	Smart Array 532, RAID Ultra3 2-chan
2.5	226776-B21	2	Pentium III Xeon 1600-1MB processor kit
3	201724-B21	1	Smart Array Cluster 128MB Rack 4U
3.1	153506-B21	1	128MB Battery Backed Cache Upgrade
3.2	218252-B21	1	Smart Array Cluster Cntrl 2nd 128MB
3.2.1	153506-B21	1	128MB Battery Backed Cache Upgrade
3.3	232432-B22	8	72.8GB 10000r Ultra3 SCSI disk 1"
3.4	232916-B22	4	36GB 15000r Ultra3 SCSI disk 1"

www.Compaq.com/golden-eggs

Since:Feb-2002

COMPAQ

05-Jun-2002 GTIDL580f

Matti.Patari@HP.com

ProLiant DL580 G2, SA-Cluster
GOLDEN EGGS Visuals, Helsinki