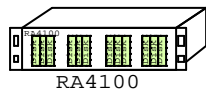


DL760

213076-B21 Secure Path W2k  
 Needed for each node  
 if NOT clustered.

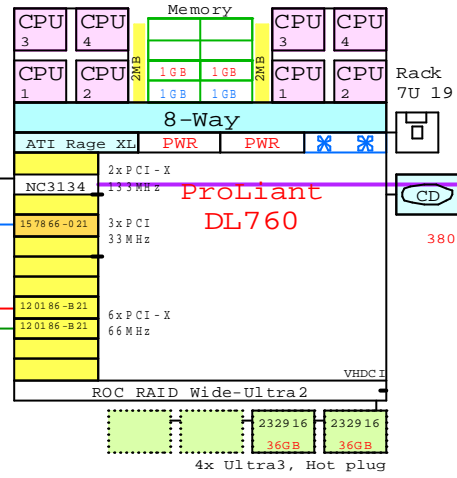
136127-B21 Rack kit for Hub7



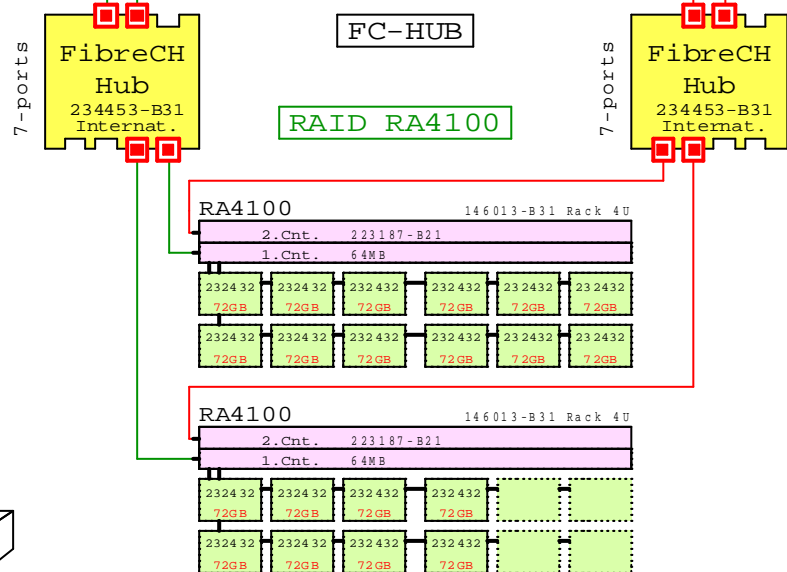
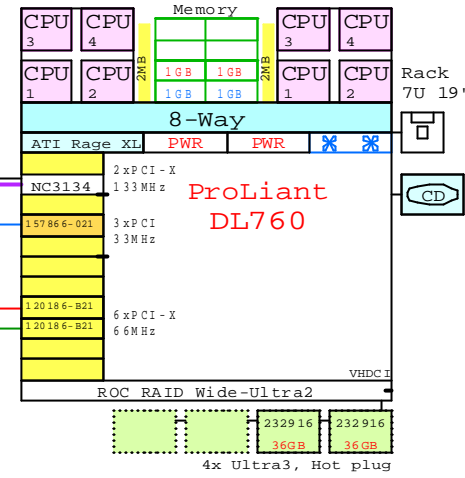
RA4100

**Compaq ProLiant DL760 8P**

Pentium III Xeon  
 900MHz 4P  
 212692-421



Pentium III Xeon  
 900MHz 4P  
 212692-421



**BOM of this Cluster**

| Part Number | Qty | Description                             |
|-------------|-----|---|
| 212692-421  | 1   | ProLiant DL760 4P 900MHz 2GB rack 7U    |
| 120186-B21  | 2   | FC Host Adapter kit PCI 64bit/66MHz     |
| 157866-021  | 1   | CPQ Remote Insight manager kit          |
| 177666-B21  | 4   | Pentium III Xeon 900-2MB processor kit  |
| 232916-B22  | 2   | 36GB 15000r Ultra3 SCSI disk 1"         |
| 328808-B21  | 2   | 1GB 100MHz ECC SDRAM DIMM(2x512MB)      |
| 212692-421  | 1   | ProLiant DL760 4P 900MHz 2GB rack 7U    |
| 120186-B21  | 2   | FC Host Adapter kit PCI 64bit/66MHz     |
| 157866-021  | 1   | CPQ Remote Insight manager kit          |
| 177666-B21  | 4   | Pentium III Xeon 900-2MB processor kit  |
| 232916-B22  | 2   | 36GB 15000r Ultra3 SCSI disk 1"         |
| 328808-B21  | 2   | 1GB 100MHz ECC SDRAM DIMM(2x512MB)      |
| 146013-B31  | 1   | RAID Array 4100 64MB Rack 4U            |
| 23187-B21   | 1   | RA4000 Redundant Controller             |
| 232432-B22  | 12  | 72.8GB 10000r Ultra3 SCSI disk 1"       |
| 146013-B31  | 1   | RAID Array 4100 64MB Rack 4U            |
| 23187-B21   | 1   | RA4000 Redundant Controller             |
| 232432-B22  | 8   | 72.8GB 10000r Ultra3 SCSI disk 1"       |
| 234453-B31  | 2   | Fibre Channel Hub 7 Ports International |
| 136127-B21  | 1   | Rack mount kit for Hub 7,universal      |
| 380357-B23  | 1   | ProLiant HA/F200 Cluster kit NT/W2k     |

[www.Compaq.com/golden-eggs](http://www.Compaq.com/golden-eggs)

Since: Nov-2001

|                                |                         |            |
|--------------------------------|-------------------------|------------|
| <b>COMPAQ</b>                  | 28-Nov-2001             | GTIDL760b1 |
|                                | Matti.Patari@Compaq.com |            |
| ProLiant DL760 4P FC-Hb/RA4100 |                         |            |
| GOLDEN EGGS Visuals, Helsinki  |                         |            |