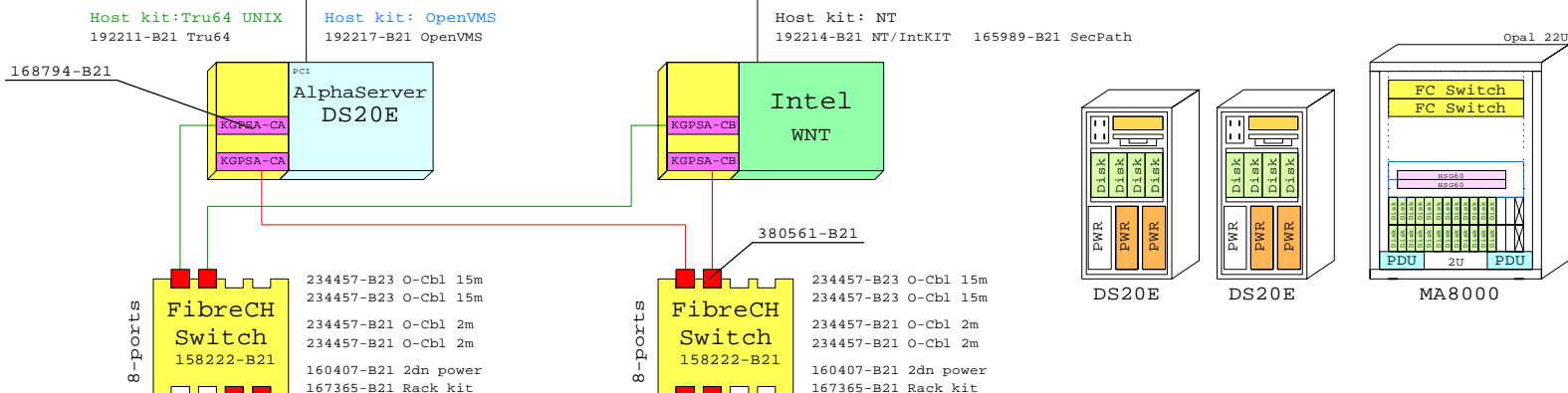


Modular Array MA6000 S14

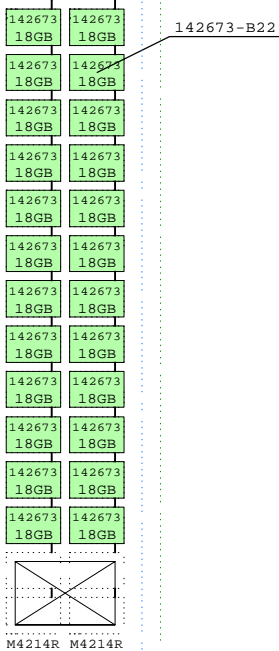
Ethernet



BOM-line

MA6000	24x 18GB = 436GB
22U Cabinet	180316-B22 50Hz opal
MA6000 S14	
M2100	187739-B21
HSG60 256MB +256MB	
HSG60 256MB +256MB	

- 180316-B22
- 187739-B21
- 180319-B21 ACS 8.5L
- 180319-B21 ACS 8.5L
- 135823-B21 Cache BB



Fibre Channel BOM

	Part Number	Qty	Description
1	158222-B21	1	SAN Switch 8 Ports
1.1	380561-B21	4	FC Optical Short Wave GBIC
2	158222-B21	1	SAN Switch 8 Ports
2.1	380561-B21	4	FC Optical Short Wave GBIC
3	160407-B21	2	SAN switch redundant power supply
4	192214-B21	1	OS Platf.Softw.Kit for HSG60 NT/Intel
5	234457-B23	4	Fibre Channel 15m Optical Cable
6	167365-B21	2	Rack mount kit for SAN switch
7	234457-B21	4	Fibre Channel 02m Optical Cable
8	192217-B21	1	OS Platf.Softw.Kit for HSG60 OpenVMS
9	192211-B21	1	OS Platf.Softw.Kit for HSG60 Tru64 UNIX
10	168794-B21	2	Host Buss Cntr KGPSA-CA,OVMs,UNIX
11	176479-B21	2	Host Buss Cntr KGPSA-CB,NT only

MA6000 S14 BOM

	Part Number	Qty	Description
1	180316-B22	1	Empty 22U Modula cabinet 50Hz opal
1.1	187739-B21	1	MA6000 S14 1xHSG60 256MB
1.1.1	135823-B21	1	HSGxx Single external cache battery
1.1.2	142673-B22	24	18.2GB 10000r Ultra3 SCSI disk
1.1.3	174134-B21	1	HSG60 FC Contr with 256MB cache
1.1.3.1	380674-B21	1	Cache Upg RA8k ESA12k 256MB
1.1.4	180319-B21	2	ACS V8.5L FC-fab,FC-loop, HSG60
1.1.5	380674-B21	1	Cache Upg RA8k ESA12k 256MB

www.Compaq.com/golden-eggs

COMPAQ	07-Sep-2000	GTMA6000b
	Matti.Patari@compaq.com	

Modular Array, MA6000 S14
GOLDEN EGGs Visuals, Helsinki

This template is included in the present GOLDEN EGGs Software kit.

MA6000 S14