

**SCSI tems:**

- LVD Low Voltage Differential
- HVD High Voltage Diffrential
- VHDCI Very High Density Cable Interconnect
- 68HD 68 pin High Density

**BOM of options on the left**

| Part Number | Qty | Description                              |
|-------------|-----|--|
| 152454- B21 | 1   | Mbd. Data Router 2- port HVDscsi option  |
| 157299- B21 | 1   | Dual CH UWD SCSI dapter HVD 2xVHDCI      |
| 158222- B21 | 1   | SAN Switch 8 Ports                       |
| 163082- B21 | 1   | Mbd. Data Router 1xFC, 2xHVD, 2xGBIG, 5m |
| 201160- B21 | 2   | Ultra Cbl VHDCI - 68HD 10m               |
| 218242- B21 | 1   | Mbd. Data Router 4- port HVDscsi option  |
| 328215- 002 | 1   | Wde Differential SCSI Cable Kit 10m      |
| 341177- B21 | 2   | VHDCI to 68 pin SCSI Cable 12FT          |
| 349350- B23 | 1   | TL895, 96- Slots, 3- Drive, DLT- Library |
| 349351- B21 | 1   | TL895 DLT 35/70 Drive Upgarde            |
| 349386- 021 | 1   | Country Kit Europe for TL891 TL895       |
| KZPBA- CB   | 1   | PCI to UltraSCSI Adapter UWdif           |

**Available TL895 DLT Libraries**

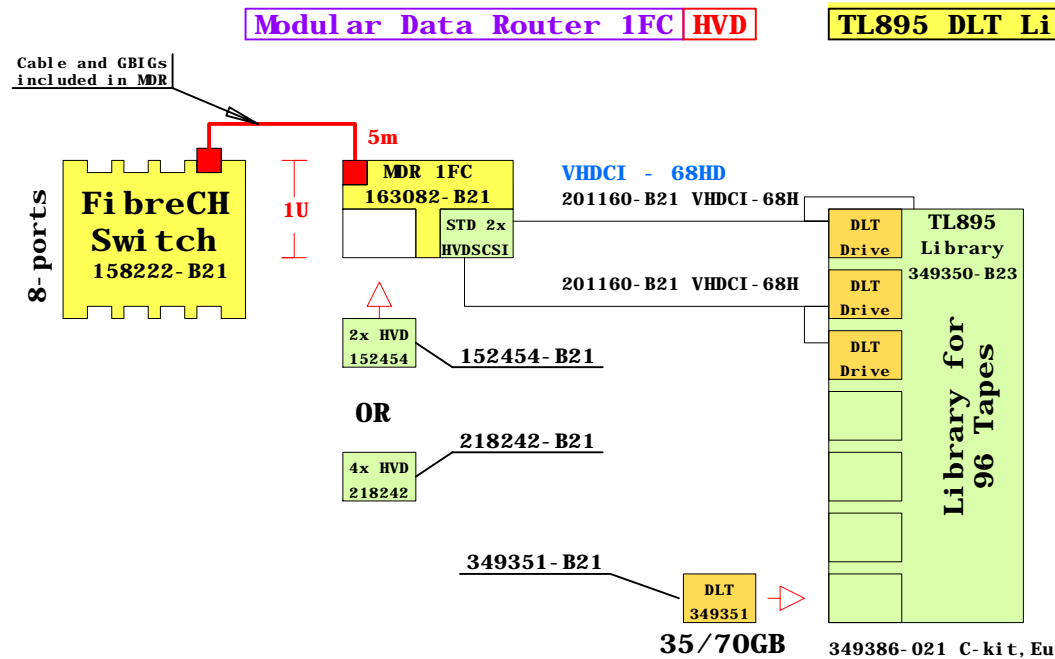
| Part Number | Qty | Description                               |
|-------------|-----|---|
| 349350- B22 | 1   | TL895, 96- Slots, 2- Drive, DLT- Library  |
| 349350- B23 | 1   | TL895, 96- Slots, 3- Drive, DLT- Library  |
| 349350- B24 | 1   | TL895, 96- Slots, 4- Drive, DLT- Library  |
| 349350- B25 | 1   | TL895, 96- Slots, 5- Drive, DLT- Library  |
| 349350- B26 | 1   | TL895, 96- Slots, 6- Drive, DLT- Li brary |
| 349350- B27 | 1   | TL895, 96- Slots, 7- Drive, DLT- Li brary |

[www.Compaq.com/golden-eggs](http://www.Compaq.com/golden-eggs)

Since: Mar- 2001

|               |                          |          |
|---------------|--------------------------|----------|
| <b>COMPAQ</b> | 30- Mar- 2001            | GTTL895a |
|               | Matti. Patari@Compaq.com |          |

TL895 DLT Library  
GOLDEN EGGS Visuals, Helsinki



This template is included in the present GOLDEN EGGS Software kit.

**TL895**