

Prioris MX 6200 Server

System Reference

Part Number: ER-B40WW-UA. A01

Digital Equipment Corporation

January 1997

The information in this document is subject to change without notice and should not be construed as a commitment by Digital Equipment Corporation.

Digital Equipment Corporation assumes no responsibility for any errors that might appear in this document.

The software, if any, described in this document is furnished under a license and may be used or copied only in accordance with the terms of such license. No responsibility is assumed for the use or reliability of software or equipment that is not supplied by Digital Equipment Corporation or its affiliated companies.

Restricted Rights: Use, duplication, or disclosure by the U.S. Government is subject to restrictions as set forth in subparagraph (c) (1) (ii) of the Rights in Technical Data and Computer Software clause at DFARS 252.227-7013.

Prioris MX 6200 Server System Reference
Copyright[©] Digital Equipment Corporation.
All Rights Reserved.

DEC, Prioris, ServerWORKS, and the Digital logo are trademarks of Digital Equipment Corporation.

Intel and Pentium Pro are registered trademarks of Intel Corporation.

Microsoft, Windows NT, and Windows 95 are registered trademarks of Microsoft Corporation.

Novell and NetWare are U.S. registered trademarks of Novell Inc.

OS/2 and PS/2 are registered trademarks of International Business Machines Corporation.

PhoenixBIOS is a trademark of Phoenix Technologies Ltd.

SCO UNIX is a trademark of The Santa Cruz Operation, Inc.

SCSI*Select* is a registered trademark of Adaptec Corporation.

SIMM is a registered trademark of Wang Laboratories.

All other trademarks and registered trademarks are the property of their respective holders.

FCC ID: A09-B4XWW

The FCC wants you to know...

This equipment has been tested and found to comply with the limits for a Class B digital device, pursuant to Part 15 of the FCC rules. These limits are designed to provide reasonable protection against harmful interference in a residential installation.

Any changes or modifications made to this equipment may void the user's authority to operate this equipment.

This equipment generates, uses, and can radiate radio frequency energy and, if not installed and used in accordance with the instructions, may cause harmful interference to radio communications. However, there is no guarantee that interference will not occur in a particular installation. If this equipment does cause harmful interference to radio or television reception, which can be determined by turning the equipment off and on, the user is encouraged to try to correct the interference by one or more of the following measures:

- Reorient or relocate the receiving antenna
- Increase the separation between the equipment and receiver
- Connect the equipment into an outlet on a circuit different from that to which the receiver is connected
- Consult the dealer or an experienced radio/TV technician for help

All external cables connecting to this basic unit need to be shielded. For cables connecting to option cards, see the option manual or installation instructions.

This digital apparatus does not exceed the Class B limits for radio noise emissions set out in the radio interference regulations of the Canadian Department of Communications.

This equipment is in the 2nd Class category (information equipment to be used in a residential area or an adjacent area thereto) and conforms to the standards set by the Voluntary Control Council For Interference by Data Processing Equipment and Electronic Office Machines aimed at preventing radio interference in such residential area.

When used near a radio or TV receiver, it may become the cause of radio interference.

Read the instructions for correct handling.

This equipment meets or exceeds requirements for safety in the U.S. (UL 1950), Canada (CSA C22.2 No. 950), and Europe (EN 60950/IEC 950) with Nordic requirements.

This equipment meets or exceeds the ergonomic requirements of ZH1/618 and is certified to bear the GS mark by TUV Rheinland of Germany.

This equipment has been tested for radio frequency emissions and has been verified to meet VDE 0871 Class B.

This equipment has been tested for radio frequency emissions and has been verified to meet AZ/NZS AS3548 requirements for ITE equipment for Australia and New Zealand.

Contents

Preface

Introduction	ix
Audience	ix
Support Information	x
Organization.....	xi
Conventions.....	xiii
Abbreviations	xiv
Special Notices	xv

1

INTRODUCTION

Reliability/Availability.....	1-1
Server Expansion	1-1
Server Management and Security	1-3
Server Software and Documentation	1-4
Diagnostic Software.....	1-5
Server Utilities and Technical Support	1-5
Important Ergonomic Information	1-6

2

SERVER SOFTWARE AND UTILITIES

Introduction	2-1
ServerWORKS Quick Launch	2-2
System Configuration Utility (SCU).....	2-2
When to Run the SCU	2-2
Configuring Expansion Boards	2-3
Starting the SCU	2-4
Using the SCU	2-6
SCU Keyboard Function Keys	2-7

Contents

Configure Computer	2-8
Setting the Date and Time	2-8
Maintain System Configuration Diskette	2-9
RAID Configuration Utility	2-10
BIOS Upgrade Utility	2-10
SCSI <i>Select</i> Utility	2-12
Diagnostics	2-12

3

SERVER COMPONENTS

Introduction	3-1
Disconnecting External Devices and Power	3-2
Unlocking the Server to Access the Side Panel	3-2
Keylock Function	3-2
Removing and Installing the Side Panel	3-4
Server Front View	3-6
Server Left Side View	3-8
Server Rear View	3-10
Main Logic Board Connectors	3-12
Main Logic Board Components	3-14
CPU Module Components and Connectors	3-16
Tools Needed	3-18
Static Electricity	3-18
Replacing the Server Battery/Real Time Clock (RTC)	3-18

4

SERVER MANAGEMENT

Introduction	4-1
Managing Your Server	4-1
Obtaining Information about Your Server	4-2
Obtaining Information Using the SCU	4-4
Obtaining Information Using Server Management Software	4-4
Displaying Server Status Using the Hardware	4-6

5
CPU MODULE UPGRADE CONFIGURATIONS

Introduction 5-1
Configuration Guidelines 5-1
Server CPU Module Configurations 5-1
CPU Module Upgrade Configurations 5-2
Upgrading to a New CPU Module Configuration 5-2

6
INSTALLING ADDITIONAL MEMORY

Introduction 6-1
Server SIMMs Requirements 6-2
Memory Configuration Guidelines 6-2
Upgrading Memory 6-3
Installing SIMMs 6-4
Memory Troubleshooting 6-8

7
INSTALLING DISK AND TAPE DRIVES

Introduction 7-1
Tape Drive Configuration Guidelines 7-1
Hard Disk Drive/SBB Configuration Guidelines 7-1
CD-ROM Drive Configuration Guidelines 7-1
SCSI Configuration Guidelines 7-2
 SCSI ID and Termination 7-2
 Setting IDs and Termination 7-3
 Boot Device 7-4
 External Channel 7-4
 Storage Backplane 7-5
 Drive ID 7-5
 Cables 7-7
Installing Optional Drives 7-8
 Installing a Half-Height 5¼-Inch Device into the Top Drive Bay 7-8
 Installing a Full-Height 5¼-Inch Device into the Top Drive Bay 7-10
 Hot-Swap Drive Bay 7-14
Installing the External Wide SCSI Cable Assembly 7-17
Connecting an External SCSI Storage Box 7-18

8

INSTALLING EXPANSION BOARDS

Introduction	8-1
ISA/EISA Expansion Board Configuration Guidelines.....	8-1
PCI Expansion Board Configuration Guidelines	8-3
Configuring Your EISA/PCI Expansion Boards Using the SCU.....	8-3
Boot Devices.....	8-4
Server Boot Sequence	8-4
Server Scan Sequence	8-5
Scan Order Depending on SCU Boot Sequence Preference	8-7
Boot Device Assignment Example.....	8-7
Identifying PCI Devices in the SCU	8-8
Advanced Menu in the SCU.....	8-10
Installing Expansion Boards.....	8-11
Adding ISA Expansion Boards.....	8-12
Installing ISA Expansion Boards.....	8-12
Installing EISA Expansion Boards	8-15
Adding EISA Expansion Boards	8-16
Installing PCI Expansion Boards.....	8-17
Adding PCI Expansion Boards.....	8-19
Relocating Expansion Boards.....	8-20

9

CONNECTING SCSI AND RAID ADAPTERS

Introduction	9-1
SCSI Configuration Guidelines	9-1
RAID Configuration Guidelines.....	9-2
SCSI Controller Cable Configurations	9-3
Wide and Narrow SCSI Cable Configuration	9-4
Single Channel RAID Configuration	9-6

10

SERVER SECURITY FEATURES

Introduction	10-1
Hold-Down Bar	10-2
Front-Access Security Door and Front Bezel Lock.....	10-3
Supervisor Password	10-4
If You Forget Your Password.....	10-5
Additional Security Features	10-6

**11
TROUBLESHOOTING**

- Introduction 11-1
- Initial Troubleshooting 11-2
- Running the Diagnostics 11-3
 - Diagnostics Utility Keys 11-4
- Server Troubleshooting 11-5
- Disk Drive Troubleshooting 11-9
- SBB Troubleshooting 11-12
- Tape Drive Troubleshooting 11-12
- Monitor Troubleshooting 11-13
- CD-ROM Troubleshooting 11-14
- Diskette Drive Troubleshooting 11-15
- RAID Troubleshooting 11-16

**A
TECHNICAL SPECIFICATIONS**

- Introduction A-1
- Server Specifications A-1
 - Performance Specifications A-2
 - Server Dimensions A-2
 - Environmental Specifications A-3
- EISA Expansion Slots A-3
- PCI Local Bus Expansion Slots A-3
- Power Supply Input Power Requirements A-4
- Power Supply Output Specifications A-4
- Power Cord Requirements A-5
- Environmental Features A-6
- Main Logic Board Switch and Jumper Settings A-7
- CPU Module Switch and Jumper Settings A-10
 - Server Fault Status A-12
- POST Messages A-13
 - POST/Boot Codes A-13
- Server CPU Voltage and Temperature Ranges A-14
 - CPU Voltage Range A-14
 - VRM Voltage Range A-15

Contents

B

DEVICE MAPPING

Introduction	B-1
CPU Memory Address Map	B-2
I/O Address Map	B-3
Server Interrupt Levels	B-4
PCI Configuration Space Address Map	B-4

C

SCU FEATURES

Introduction	C-1
System - Priors MX 6200 Server	C-2
System Management Group	C-3
Diskette Drive Group	C-4
Boot Options Group	C-5
Integrated Peripherals Group	C-5
Keyboard Features Group	C-9
Shadow Options Group	C-10
Security Options Group	C-11
Cache Options Group	C-12
Advanced Control Group	C-12
EISA or PCI Devices Group	C-13

D

CARING FOR YOUR SERVER

Introduction	D-1
Cleaning the Server	D-2
Cleaning the Screen	D-2
Cleaning the Mouse	D-2
Moving the Server	D-3
Packing the Server	D-3
Installing the Server at a New Location	D-4

INDEX	IN-1
--------------------	------

Figures

- Typical Prioris MX 6200 Server xvi
- 1-1. Providing a Comfortable Working Environment 1-8
- 2-1. SCU Main Menu Options..... 2-5
- 3-1. Front-Access Security Door and Front Bezel Lock 3-3
- 3-2. Removing the Side Panel 3-4
- 3-3. Installing the Side Panel 3-5
- 3-4. Server Front View 3-7
- 3-5. Server Left Side View 3-9
- 3-6. Server Rear View 3-11
- 3-7. Main Logic Board Connectors..... 3-13
- 3-8. Main Logic Board Components..... 3-15
- 3-9. CPU Module Components and Connectors 3-17
- 3-10. Replacing the Server Battery/RTC..... 3-19
- 4-1. Prioris MX 6200 Server Component Information 4-3
- 5-1. Removing the CPU Module..... 5-3
- 5-2. Removing SIMMs..... 5-4
- 5-3. Installing the Regulators 5-5
- 5-4. Installing a CPU Module 5-7
- 6-1. CPU Module SIMM Bank Locations 6-3
- 6-2. CPU Module Removal 6-5
- 6-3. Installing a SIMM..... 6-7
- 7-1. Storage Backplane Switch Location 7-6
- 7-2. Installing a Half-Height 5¼-Inch Device Into Top Drive Bay..... 7-9
- 7-3. Installing a Full-Height 5¼-Inch Device Into Top Drive Bay 7-11
- 7-4. Installing 3½-Inch Expansion Brackets..... 7-13
- 7-5. Installing a Device Into the Hot-Swap Drive Bay..... 7-15
- 7-6. Connecting an External SCSI Storage Box 7-19
- 8-1. Expansion Board Slot Locations 8-2
- 8-2. Removing a Metal Filler Plate 8-13
- 8-3. Installing an ISA Expansion Board..... 8-14
- 8-4. Installing an EISA Expansion Board 8-16
- 8-5. Installing a PCI Expansion Board..... 8-18
- 9-1. Wide and Narrow SCSI Cable Configurations 9-5
- 9-2. Single Channel RAID Configuration..... 9-7
- 10-1. Hold-Down Bar..... 10-2
- 10-2. Front-Access Security Door and Front Bezel Lock..... 10-3
- A-1. Main Logic Board Switch and Jumper Locations..... A-9
- A-2. CPU Module Switch and Jumper Locations A-11

Preface *P*

Introduction

This System Reference describes how to operate, upgrade, configure, and troubleshoot your Prioris MX 6200 Server. This System Reference will also help to familiarize you with all aspects of the server and provide a reference tool for questions you might have in the future.

If you are initially setting up your server, refer to the *Server Installation Guide*.

The *Server Installation Guide* identifies all the components that were shipped from the factory as well as how to connect the mouse, keyboard, monitor, and ac power.

The *Server Installation Guide* shows how to turn your server on for the first time and access the ServerWORKS Quick Launch program. You must run the ServerWORKS Quick Launch program to initially configure your server, create utility and device driver diskettes, and install an operating system.

Audience

This System Reference is written specifically for anyone responsible for operating, configuring, and expanding the Prioris MX 6200 Server.

Support Information

A variety of support information is available to help you set up, configure, and operate your Prioris MX 6200 Server. This information comes in the form of README information, on-line help, electronic books, or as printed material.

If you want to...	Refer to the...
up your server	<i>Server Installation Guide</i> to unpack, install internal components, connect external devices and power, and access the ServerWORKS Quick Launch program.
Load the supplied ServerWORKS software	<i>ServerWORKS Quick Launch Reference Guide</i> . README information contained on the ServerWORKS Quick Launch CD-ROM disk.
Locate the major internal components of your Prioris MX 6200 Server	<i>Side Panel Label</i> on your server's side panel.
Upgrade and configure your server after installing optional components (for example, a CPU module, memory, mass storage devices, SCSI or RAID adapters, etc.)	Information supplied in this System Reference. Supplied SCSI, RAID, and other options documentation. These are supplied as either manuals or as files on the Quick Launch CD-ROM.
Run diagnostics	<i>ServerWORKS Quick Launch Reference Guide</i> and the Quick Launch program on the supplied CD-ROM disk. Supplied diagnostics documentation which is on the Quick Launch CD-ROM.

Organization

This System Reference contains the following:

- Chapter 1: *Introduction*— This chapter provides information about your server such as: features, server software and documentation, diagnostic software, server utilities and technical support, and ergonomic information.
- Chapter 2: *Server Software and Utilities*— This chapter describes the server software and utilities that are supplied with your server.
- Chapter 3: *Server Components*— This chapter provides information about the server's components and associated procedures such as removing the side panel.
- Chapter 4: *Server Management*— This chapter describes how to manage your server using a network manager, specifically Digital's ServerWORKS Manager.
- Chapter 5: *CPU Module Upgrade Configurations*— This chapter describes how to upgrade your server with higher-performance CPU modules.
- Chapter 6: *Installing Additional Memory*— This chapter describes how to install additional memory on the CPU module.
- Chapter 7: *Installing Disk and Tape Drives*— This chapter describes how to install optional disk drives, tape drives, and an external storage box.
- Chapter 8: *Installing Expansion Boards*— This chapter describes how to install ISA, EISA, and PCI expansion boards.

- Chapter 9: *Connecting SCSI and RAID Adapters*— This chapter describes how to connect mass storage devices to the onboard SCSI controller or to supported RAID adapters.
- Chapter 10: *Server Security Features*— This chapter describes the various security features that are available to prevent server or data theft.
- Chapter 11: *Troubleshooting*— This chapter describes initial and advanced troubleshooting solutions.
- Appendix A: *Technical Specifications*— This appendix lists server operating specifications. Also included is switch information on the main logic board and CPU module. It also provides a list and description of error messages that might display and error codes that might sound if a failure occurs.
- Appendix B: *Device Mapping*— This appendix provides a series of tables listing mapping and address information related to server memory and various main logic board devices (keyboard controller, interrupt controller, Direct Memory Access (DMA) controller, etc.).
- Appendix C: *SCU Features*— This appendix lists the available SCU resource and configuration options.
- Appendix D: *Caring For Your Server*— This appendix provides suggestions for cleaning and moving your server.

Conventions

Convention Example	Description
<i>Installation Guide</i>	Italics are typically used for titles, comments, and references to other sections of this document or other documents.
<code>c:\windows></code>	Monospaced text indicates information that your server or software displays. For example, a directory path or error message.
<code>SCU.BAT</code>	Monospaced text can also indicate a command that you need to enter to run an application or utility.
[Enter]	Square brackets surrounding text represents a keyboard key.
[Ctrl]+[Alt]+[Del]	A plus sign indicates that the keys shown should be pressed at the same time.

Abbreviations

Abbreviation	Meaning
BIOS	Basic input/output system
CPU	Central processing unit
DIMM	Dual in-line memory module
DMA	Direct memory access
DRAM	Dynamic random access memory
ECC	Error correction code
ECP	Extended capabilities port
EDO	Extended Data Out
EISA	Extended industry standard architecture
EPP	Enhanced parallel port
FRU	Field replaceable unit
GB	Gigabyte
h	An h suffix to a numerical value denotes hexadecimal numbers. For example, 0F8h equals 0F8 hexadecimal.
IDE	Integrated drive electronics
I/O	Input/output
ISA	Industry standard architecture
MB	Megabyte
MS-DOSä	Microsoft Disk Operating System
PCI	Peripheral component interconnect
POST	Power-on self test
RAID	Redundant array of independent devices
RAM	Random access memory
ROM	Read only memory

continued

Abbreviation	Meaning
RTC	Real-time clock
SBB	Storage Building Block
SCSI	Small computer system interface
SCU	System Configuration Utility
SIMM	Single in-line memory module
SMP	Symmetrical multi-processor
SVGA	Super-video graphics array
VGA	Video graphics array
Windows NT™	Microsoft Windows NT operating system software
ZIF	Zero insertion force

Special Notices

Three kinds of special notices are used in this System Reference to emphasize specific information.



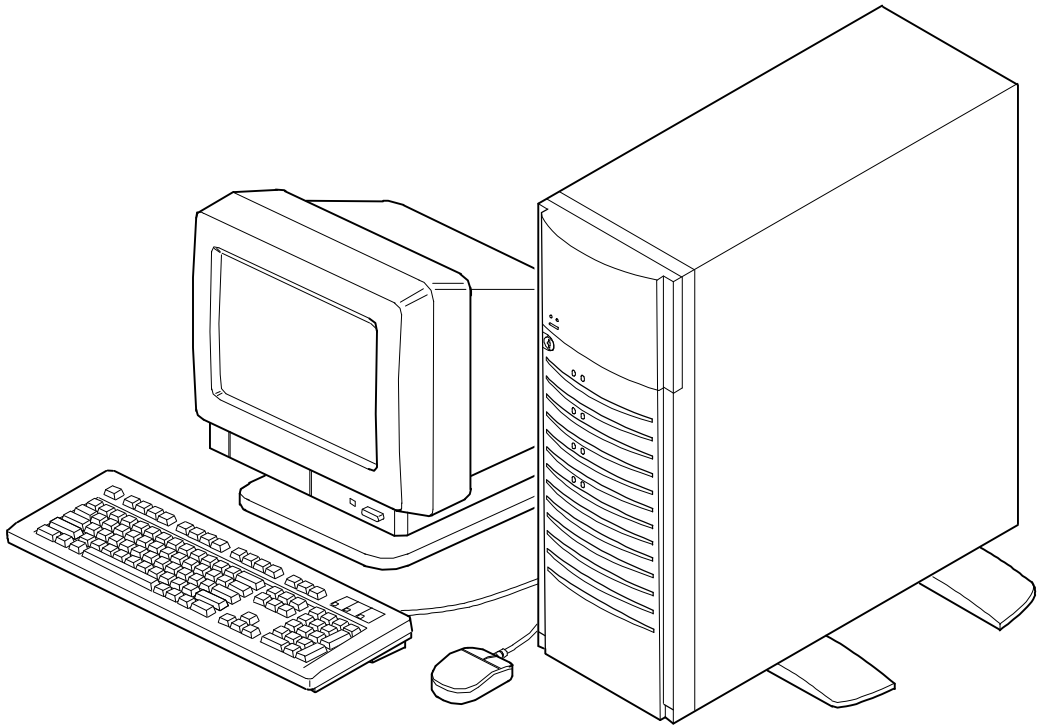
WARNING: Indicates the presence of a hazard that can cause personal injury if the hazard is not avoided.



CAUTION: Indicates the presence of a hazard that might cause damage to hardware or that might corrupt software.



NOTES: Used to provide additional information.



DEC01047

Typical Prioris MX 6200 Server



NOTE: Your monitor, keyboard, and mouse might look different.

Introduction

1

The Prioris MX 6200 server is a high-performance, highly-scalable network and application server featuring the latest in modular CPU and storage technology.

The Prioris MX 6200 server provides the following features:

Reliability/Availability

<i>CPU Module</i>	Single (1P) or Dual (2P) Pentium Pro processor mode. Each CPU operates using a 64-bit memory interface and an internal L2 cache.
<i>Error Correction Code (ECC) Memory</i>	Recovery from single-bit cache and memory errors.
<i>Variable Fan Speed</i>	Automatically adjusts fan speed according to internal chassis ambient temperature.
<i>Internal Sensors</i>	Monitors internal server temperatures, fan operation, and voltages for the main logic board and CPU module.

Server Expansion

<i>Flexible Memory Architecture</i>	ECC memory support. Server memory can be upgraded from 32 MB to 1 GB.
-------------------------------------	---

Introduction

<i>Four EISA Expansion Slots, Two PCI Expansion Slots, and One Shared PCI/EISA expansion slot</i>	Accommodates industry-standard expansion boards such as network, Small Computer System Interface (SCSI), Redundant Array of Independent Devices(RAID), and modems.
<i>Integrated PCI and SVGA Video Controller</i>	Supports management and configuration applications locally (on main logic board) without use of an expansion slot.
<i>Ultra SCSI controller</i>	Supports narrow and wide external and internal SCSI devices.
<i>Capacity for Seven Internal SCSI Storage Devices</i>	Accommodates four 3½-inch half-height drives in Storage Building Blocks (SBBs) and three 5¼-inch half-height drives (CD-ROMs, hard drives or tape drives). Accommodates one CD-ROM drive (standard), a 3½-inch diskette drive(standard), and two narrow (50-pin) half-height, 5¼-inch devices; or one full-height, 5¼-inch device (CD-ROMs or tape drives).
<i>Keyboard and Mouse</i>	Supplied 104-key keyboard and three-button mouse.
<i>External I/O Ports</i>	Two serial ports and one Enhanced Parallel Port (EPP) to support external options such as a printer, modem, or local terminal.
<i>External Wide SCSI Port</i>	Allows you to connect external wide SCSI devices to your server.
<i>Wide SCSI and RAID Storage Backplane</i>	Supports high-performance drives.
<i>Disk Hot Swap Capability</i>	Allows replacement of SBB disk drives while the server is operating.

<i>External network ports</i>	<ul style="list-style-type: none">• One 10/100Base-T (10/100 Mb/s) port,• One 10Base-2 (10 Mb/s) port• One 10Base-5 AUI port.
<i>Integrated Network Controller</i>	Provided by a Digital Ethernet Controller on the main logic board.

Server Management and Security

<i>Server Diagnostics</i>	Allows local and remote diagnosis of server problems.
<i>Hardware Configuration</i>	Allows local and remote server configuration.
<i>Unique Asset Management</i>	Unique server identifier in non-volatile memory provides easy asset management.
<i>BIOS and Firmware Upgrade Utility</i>	Upgrades the BIOS and firmware versions.
<i>Hard Drive Indicator Lights</i>	Provides immediate status information on SBB hard drive activity or failure.
<i>Server Fault LED Status</i>	Provides immediate status information on server fan, temperature, voltage, and memory failure.
<i>Key Lock</i>	Limits access to server components. A 45° turn clockwise opens the top door. A 90° rotation opens the bezel and allows access to the side panel thumbscrews, SBBs, and other components (refer to Chapter 10).

Server Software and Documentation

The following software and documentation are supplied with your server:

- ServerWORKS Manageability Suite $\frac{3}{4}$ contains ServerWORKS Quick Launch, ServerWORKS Manager, and licenses.
 - ServerWORKS Quick Launch consists of a bootable CD-ROM and reference guide. The Quick Launch program steps you through the initial server setup and operating system installation process.
Refer to the ServerWORKS Quick Launch Reference Guide and the ReadMe.txt file, which is located on the Quick Launch CD-ROM.
 - ServerWORKS Manager consists of two CD-ROMs, several floppy diskettes, User Guide, and supporting documentation.
- Server documentation box $\frac{3}{4}$ contains this System Reference, an Installation Guide, a Documentation Overview, Warranty information, Options manuals, and Registration Card.



NOTE: You might have ordered additional options such as hard disk drives, tape back-up systems, CD-ROMs, or modems that have been factory installed in your server. The documentation and any related diskettes for these options have also been provided. Save this material for future reference.

Diagnostic Software

Diagnostic software is shipped with your server on the Quick Launch CD-ROM. This software contains an advanced set of diagnostic utilities that can be used to identify and correct problems you might encounter when installing, configuring, or using your server. There are two ways to access the supplied diagnostic software:

1. During your server installation process, the diagnostic software will be automatically copied to a subdirectory on the MS-DOS partition (only if you selected the option to create an MS-DOS partition). This allows you to run the diagnostic software anytime from the MS-DOS partition you created.
2. Using the Installations & Utilities button and then selecting the Utilities page from the ServerWORKS Quick Launch CD-ROM, you can create a bootable diagnostic software diskette. This allows you to run the diagnostic software anytime using the diskette you created.

For additional information, read any README files that are on the diagnostic diskette you created.



NOTE: Digital strongly recommends that you copy the diagnostics to a diskette and use this diskette to run the diagnostics on your server.

Server Utilities and Technical Support

Current server utilities and technical support information is available on the Quick Launch CD-ROM disk and the Digital Bulletin Board Service (BBS). For access to the Digital BBS in the USA, dial (508) 496-8800 or dial the world wide web.

Use address:

<http://www.digital.com>

or

<http://www.digital.com/info/service.html>.

If you need additional information, access "Service Information" located in the ServerWORKS Quick Launch program that is on your CD-ROM disk.

Important Ergonomic Information

After the server is installed, it is important to apply the following ergonomic information:

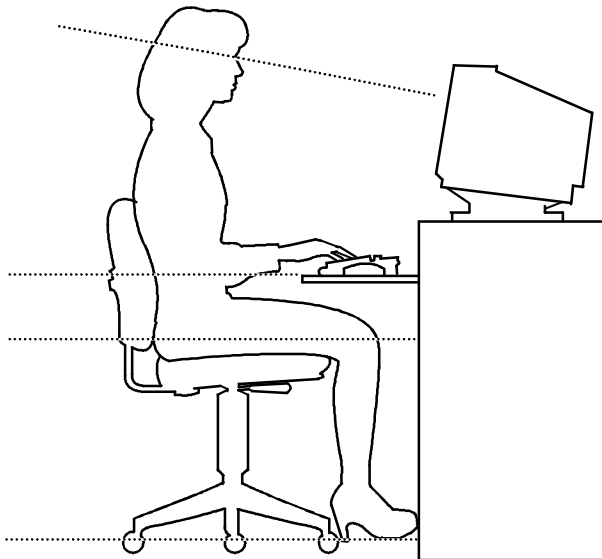
- Be comfortable in your work space.
- Change your posture frequently.
- Proceed according to the recommendations in the following table and figure.

Adjust	So . . .
Chair	<p>Feet are flat on the floor.</p> <p>Legs are vertical forming a right angle to the floor.</p> <p>Your weight is off your thighs and they are horizontal. Keep the back of your knees away from the seat so you do not compress the area behind them, which could restrict the blood flow.</p> <p>Your upper body is erect, and your lower back is supported with a backrest.</p>
Keyboard or mouse	<p>Your wrists are straight and do not bend more than 15 degrees. They may be supported when resting but not on sharp edges. Type comfortably, with no more key pressure than needed to feel the contact point.</p> <p>Upper arms are straight down at your sides, elbows are close to your sides and support your arm weight. Forearms are at a 70 degree to 90 degree angle.</p> <p>If you use a mouse, rest your hand on the mouse so your wrist is not on the work surface. Operate the mouse close to your body's centerline.</p>

continued

Adjust	So . . .
Head	Avoid neck strain. Your head should incline downward, but no more than 15 to 20 degrees.
Monitor	No higher than the level of your eyes and at the correct distance for your vision. Avoid eye fatigue, which can be caused by glare, image quality, uncomfortable furniture, eye height, and uncorrected vision. If you cannot focus to read at different distances, you may need special glasses. Relax your eyes periodically by looking at distant objects.
Work breaks	Take periodic work breaks. Morning, lunch, and afternoon breaks during the 8-hour workday meet most recommendations. Take advantage of work breaks to move around and do other activities.
Lighting	Avoid direct lighting or sunlight on the screen, which causes glare and reflections. Place lighting behind or to the side of your work area, and distribute the lighting evenly on your work area. Your server's monitor screen has an antiglare treatment to reduce glare. Adjust the brightness and contrast controls as needed.
Noise	Keep background noise at a minimum. Background noise above 65 dBA is tiring. Sound-absorbing materials (curtains, carpeting, and acoustic tile) can help reduce background noise.
Temperature	20 to 23 degrees C (68 to 74 degrees F).
Humidity	30% to 70%.
Ventilation	Provide adequate air ventilation to avoid fatigue and to operate the equipment.
Space between set ups	> 70 cm (28 in.) center to center, preferably > 152 cm (60 in.).

IMPORTANT: If you experience pain or discomfort during use of the server, take a rest break and review the instructions for proper ergonomic setup and use. If the pain or discomfort continues after resuming use of the server, discontinue use and report the condition to your job supervisor or physician.



DEC00454

Figure 1-1. Providing a Comfortable Working Environment

Server Software and Utilities

2

Introduction

This chapter describes the utilities supplied with your server. Server utilities include:

- **ServerWORKS Quick Launch** — This software is used to install a network operating system onto the server. The CD-ROM also contains various drivers and on-line documentation.
- **System Configuration Utility (SCU)** — This utility allows you to configure your server when relocating, adding, or removing EISA/ISA/PCI expansion boards and when changing your server's factory-defined settings.
- **RAID Configuration Utility** — This utility is available for RAID-ready servers only. This utility allows you to configure your RAID array.
- **BIOS Upgrade Utility** — This utility allows you to update or restore your server's BIOS.
- **SCSI*Select* Utility** — This utility allows you to configure and view settings of the onboard SCSI controller and SCSI devices.
- **Diagnostics** — This utility is used to verify server operation.

ServerWORKS Quick Launch

Quick Launch is used to install the server's Network Operating System (NOS). In addition to providing quick and seamless NOS installation, Quick Launch also provides drivers, documentation, and the ability to make diskettes of utilities such as diagnostics. For more information, refer to the *Quick Launch Reference Guide*.

System Configuration Utility (SCU)

Your server was pre-configured at the factory using the System Configuration Utility (SCU). This means that your server's hardware (CPU, memory, cache, mass storage devices, expansion boards, etc.) has been identified and configured for optimum performance. If you need to make changes to this configuration, Digital recommends that you use the SCU along with the information provided in this section.

Refer to "Starting the SCU" described later in this chapter.

Refer to Appendix C, "SCU Features," for more details about the SCU.

Refer to the ServerWORKS Quick Launch Reference Guide and the ReadMe.txt file, which is located on the Quick Launch CD-ROM, for additional information.

When to Run the SCU

Always run the SCU each time you add, remove, or relocate ISA, PCI and/or EISA expansion boards to reconfigure server resources (IRQs, I/O address, memory address, etc.). You should also run the SCU if the main logic board has been changed or after adding memory to the installed CPU module.

If the main logic board has been changed or a CPU module is added, run the SCU (select the option "Configure Computer") to update the serial numbers of the components. For more information on how to change the serial numbers, refer to Chapter 4, "Obtaining Information About Your Server."

Typically, your server displays a message such as Run SCU Utility.....Press F1 to Continue. Select how you want to access and run the SCU by following the instructions displayed on the SCU screens.

Configuring Expansion Boards

Each time you add, remove, or relocate any EISA/ISA/PCI expansion board, you need to run the SCU to identify their operating characteristics, server resource requirements, and slot locations. Based on this information, the SCU will then automatically assign the proper server resources to EISA expansion boards, enable PCI boards, and inform you as to what jumper or switch settings need to be manually set on ISA expansion boards to avoid resource conflicts.

The SCU identifies an expansion board's operating characteristics and resource requirements through Configuration (.CFG) files. These files contain main logic board, EISA, PCI, and ISA expansion board vital characteristics and the server resources they require for proper operation. Before you can configure your server, you must copy the CFG files (and overlays if applicable) supplied with the additional EISA expansion boards you installed to either the SCU directory on your hard disk drive or the SCU diskette that you created earlier.

As an added feature, the SCU creates and stores all setup changes in a System Configuration (.SCI) file. Afterwards, this SCI file can be used on any Prioris MX 6200 server that is equally configured and can serve as a backup to the EISA configuration stored in NVRAM memory. The SCI file is on your ServerWORKS Quick Launch CD-ROM disk. If you created an SCU diskette, a copy of the file might be in the SCU directory with the default name of SYSTEM.SCI.

Starting the SCU

The SCU is located on your ServerWORKS Quick Launch CD-ROM disk. The SCU options are shown in Figure 2-1. If this is your first time using the SCU, it is recommended that you select “Learn About Configuring your Computer” for detailed information on using the SCU. If this is a subsequent session, refer to the appropriate sections in this chapter to change your server’s configuration.

You can start the SCU in one of three ways:

1. During the Quick Launch boot process, if you selected “to create a MS-DOS partition,” the SCU was copied to the MS-DOS partition on your hard disk drive. This allows you to run the SCU anytime from the MS-DOS partition.

At the MS-DOS prompt change to the SCU directory and type:

```
SCU.BAT
```

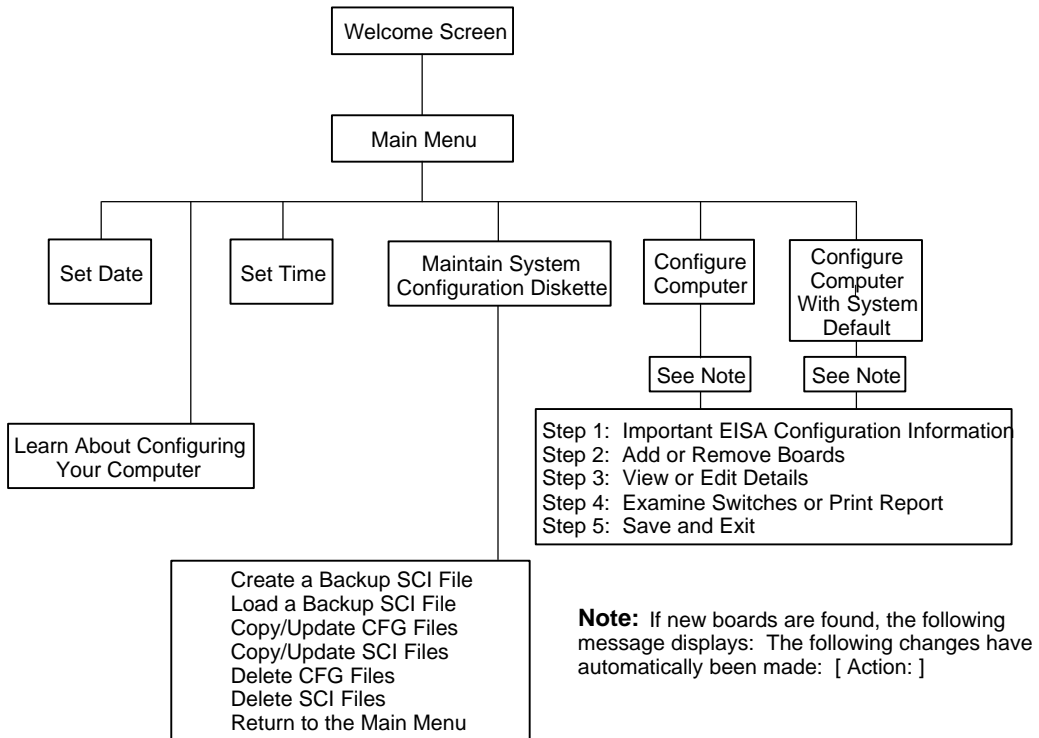
2. Creating a bootable SCU diskette by using the Quick Launch CD-ROM and selecting the *Installations & Utilities* button and then the *Utilities* page. On the *Utilities* page, select the appropriate BIOS level for the server that the SCU is being created for (if this is being done on the server, the default BIOS that is highlighted is the BIOS of that server).

Afterwards, you can run the SCU anytime by booting the diskette you created.

3. You can also run the SCU by inserting the Quick Launch CD-ROM disk, rebooting the server, and pressing and holding the right [ALT] key during the boot process to display the SCU.



NOTE: If EISA (in some cases, PCI) cards have been added to your server, the SCU will be invoked automatically when you boot from the Quick Launch CD-ROM disk. The .SCI file is not saved when you use this method to run the SCU.



DEC00456

Figure 2-1. SCU Main Menu Options

Using the SCU

To use the SCU:

1. Turn on your server and allow the POST to complete.

If POST detects an error refer to Chapter 4, “Server Management,” and take the appropriate steps to correct the problem. After the problem has been resolved, restart the server.

2. Start the SCU using one of the three methods described previously.
3. Press [Enter] to display the SCU introductory screen.



NOTE: The SCU contains help pop-up screens for any selected menu item. Press [F1] at anytime to display a help screen. Press [Esc] to remove a help screen.

4. If no configuration errors appear, the Welcome screen displays.

Press [Enter] to display the Main menu.

If a configuration error appears, the Welcome screen displays information about the error and tells you to reconfigure your server.

5. Step through the menu items to familiarize yourself with the SCU.

SCU Keyboard Function Keys

The following table lists the keyboard function keys used to scroll through the menu screens, and select specific menu items in the SCU.

Keyboard Key	Function
[↓]	Moves the cursor down one menu item.
[↑]	Moves the cursor up one menu item.
[→]	Moves the cursor one character to the right.
[←]	Moves the cursor one character to the left.
[Enter]	Displays the available user-selectable settings for the highlighted option or selects the highlighted menu item.
[F6]	Displays available resources (IRQs, DMAs, I/O ports, or memory) for the highlighted option.
[F10]	Press [F10] to complete a step.
[F1]	Displays the selected menu item's help screen.
[Esc]	Returns the monitor screen to the previously selected menu item.

Configure Computer

This option provides step-by-step instructions on how to configure your server when adding, removing, or relocating expansion boards and when changing operating parameters.

Select one of the following menu options:

- “Configure Computer with System Default” $\frac{3}{4}$ Loads the SCU default settings.
- “Configure Computer” $\frac{3}{4}$ Instructions are displayed. Complete the instructions if you are performing an initial configuration on your server. If this is a subsequent configuration, refer to the appropriate menu item to update your server’s configuration.

Refer to Chapter 8, “Installing Expansion Boards,” for board installation information.

Setting the Date and Time

Use these two SCU options to reset the date and time maintained by your server’s battery.

To access this menu item:

1. Start the SCU using one of the three methods described in “Starting the SCU.”
2. Press [Enter] to display the SCU main menu.
3. Configure your server for the current date and time by selecting the Set Date and Set Time options.

Maintain System Configuration Diskette

Select this option to maintain Configuration (CFG) files and System Configuration Information (SCI) files.

To access this menu item:

1. Start the SCU using one of the three methods described in “Starting the SCU.”
2. Press [Enter] to display the SCU main menu.
3. Select the Maintain System Configuration Diskette option, and then press [Enter].
4. Select a menu item and complete the displayed instructions for that item.

Afterwards, the following menu options are available:

- Create a backup SCI file
- Load a backup SCI file
- Copy/update CFG files
- Copy/update SCI files
- Delete CFG files
- Delete SCI files
- Return to the Main Menu

RAID Configuration Utility

RAID-ready Prioris MX 6200 servers include a Mylex RAID host adapter and RAID configuration utility. The RAID configuration utility appears when you boot your server with the ServerWORKS Quick Launch CD-ROM disk. Use this utility to configure your RAID array.

Refer to the Mylex User's Manuals for more information. These manuals are provided as either hard-copy manuals or are located on the Quick Launch CD-ROM as on-line files under the "Documentation" button.

BIOS Upgrade Utility

All servers have BIOS software in a flash (ROM) chip located on the main logic board. This BIOS initializes hardware and boots the operating system when the server is turned on. The BIOS also provides access to other services such as keyboard and disk drives.

You can upgrade your server's BIOS to future releases by executing the BIOS upgrade utility (PHLASH.EXE) located in the BIOS update kit. The "BIOS upgrade" switch (SW1-1) on the main logic board must be set to ON before you can upgrade the system BIOS.

PHLASH.EXE and BIOS updates are available on Digital's BBS. For access to the Digital BBS in the USA, dial (508) 496-8800 or dial the world wide web.

Use address:

<http://www.digital.com>

or

<http://www.digital.com/info/service.html>.



CAUTION: A crisis recovery diskette should be created before upgrading the server BIOS

When upgrading the BIOS, you must remove any video option cards and enable the onboard VGA. In the rare event that you may need to use the crisis recovery diskette, the system will require that the onboard VGA be used in this mode.

SCSISelect Utility

Your Prioris server comes with an onboard Adaptec 7880 SCSI controller and a *SCSISelect* configuration utility. This utility, located within the server BIOS, allows you to change SCSI controller settings without opening your server.

Use *SCSISelect* to:

- Check factory default settings for each device on the SCSI bus.
- Change SCSI device settings that might conflict with other SCSI devices.
- Perform low-level formatting on new SCSI disk drives.

To start the *SCSISelect* configuration utility:

Press [Ctrl] + [A] when the Adaptec BIOS banner appears during the boot process and before the end of the device information display.

Diagnostics

The diagnostics for the server are located on the Quick Launch CD-ROM. In addition, the manual is also located on the CD-ROM in an on-line format. The Quick Launch CD-ROM can be used to make diskettes of the diagnostics. For more information, refer to the Quick Launch Reference Guide.

Server Components

3

Introduction

This chapter shows the location of the Prioris MX 6200 server internal components and procedures for unlocking and removing the side panels. A procedure for installing a new server battery/Real-Time Clock (RTC) is also included.

Disconnecting External Devices and Power

Before removing the side panel, perform the following:

1. Shut down any applications that are currently running, then shut down the operating system.
2. Turn off power to all external devices connected to the server.
3. Turn the server off.
4. Unplug the power cord from the wall outlet.
5. Disconnect the monitor's power cord from its ac outlet and the data cable from the server.

Unlocking the Server to Access the Side Panel

1. Unlock the server's front bezel by depressing and rotating the key 90° clockwise.
2. Afterwards, swing the bezel open. (The bezel is the hinged door running the full height of the server).

Once opened, the bezel can be removed by lifting it up and out.

Keylock Function

- Depress and rotate the key 45° for access to the control panel and upper drive bays.
- Depress and rotate the key 90° for access to the side panel thumbscrews and SBBs.



CAUTION: Keep your keys in a safe place. They are not easily duplicated or replaced.

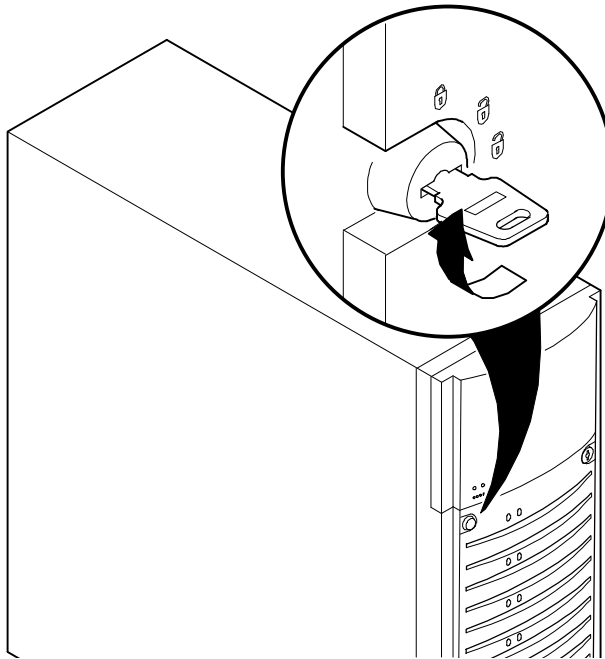


Figure 3-1. Front-Access Security Door and Front Bezel Lock

Removing and Installing the Side Panel

1. Loosen the two thumbscrews that secure the side panel to the chassis.
2. Slide the side panel to the rear of the server and then pivot it down to remove it .

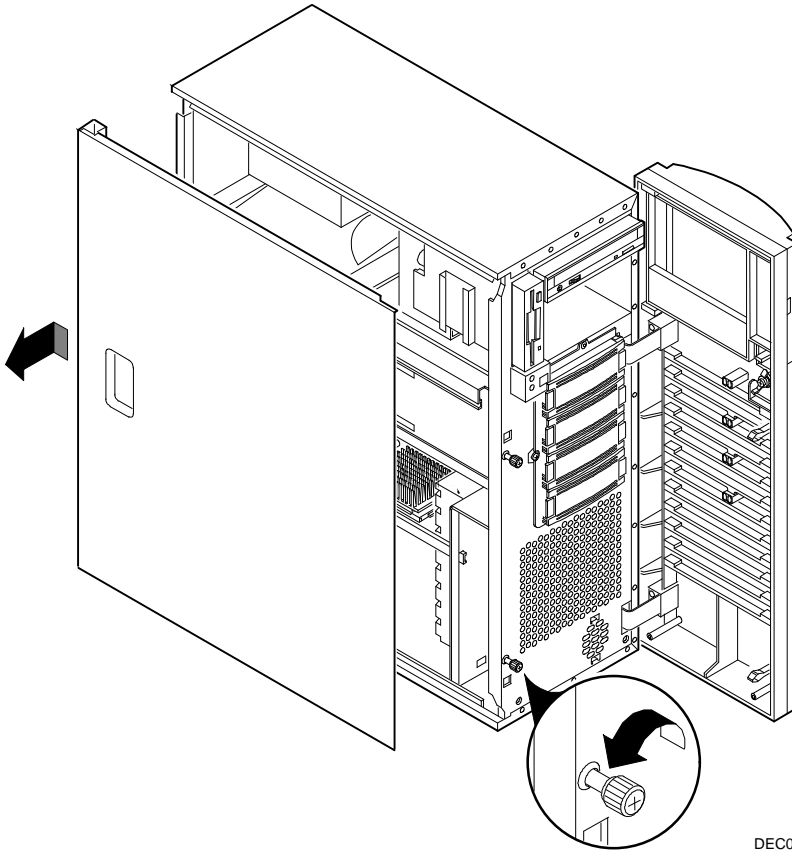


Figure 3-2. Removing the Side Panel

To install the side panel.

1. Pivot the side panel up and then slide it to the front of the server.
2. Secure the side panel to the chassis using the two thumbscrews.
3. Close and lock the server's front bezel.

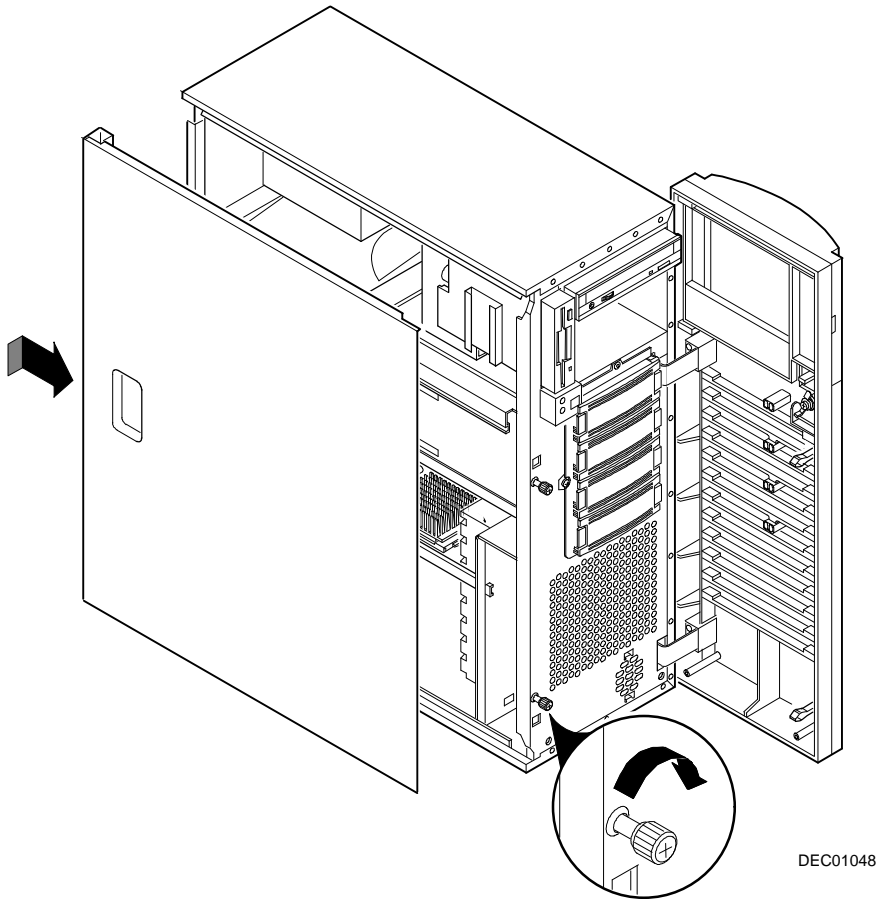
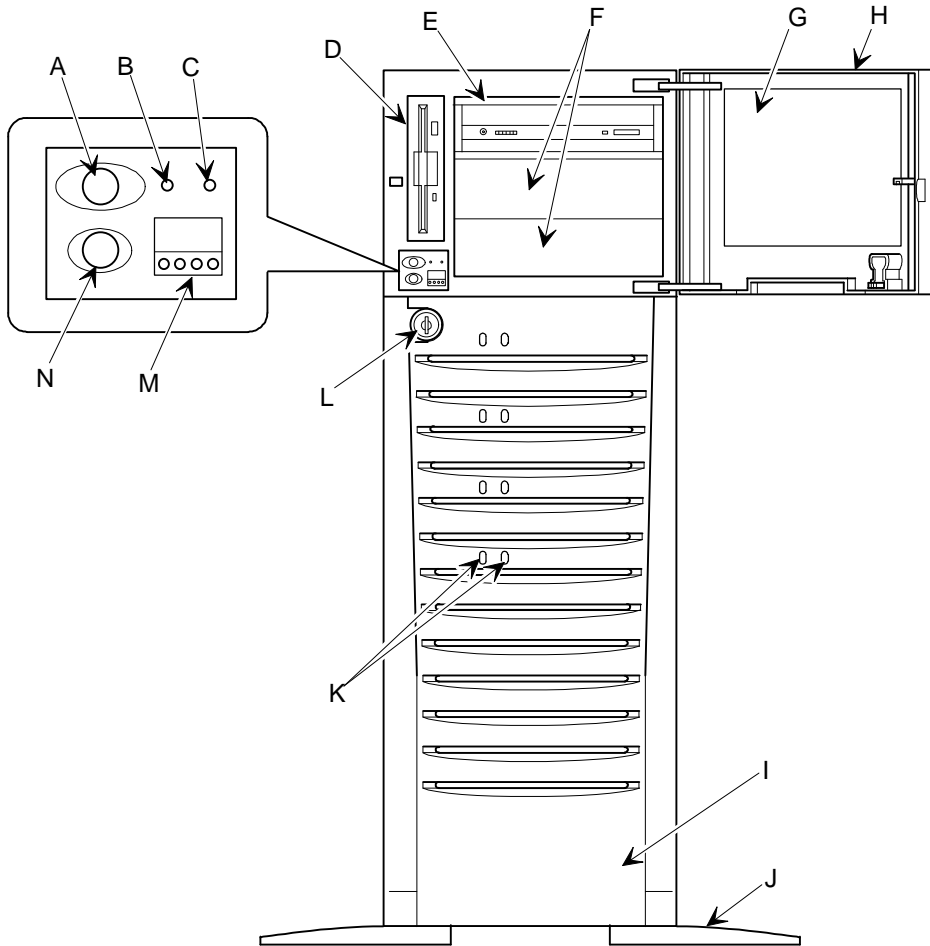


Figure 3-3. Installing the Side Panel

Server Front View

Figure Legend	Component
A	Power button
B ⁽¹⁾	Power indicator
C ⁽¹⁾	Hard disk drive activity indicator
D	3½-inch diskette drive
E	CD-ROM drive
F	Front access 5¼-inch half-height drive bays
G	Fault status LED label
H	Disk access door
I	Front bezel
J	Stabilizing feet
K	SBB LED status indicators ⁽¹⁾
L	Three-way security lock
M ⁽¹⁾	Fault status LED indicators
N	Reset button

⁽¹⁾ These indicators are combined into one indicator with the door closed. You must open the door to see the LED fault code.

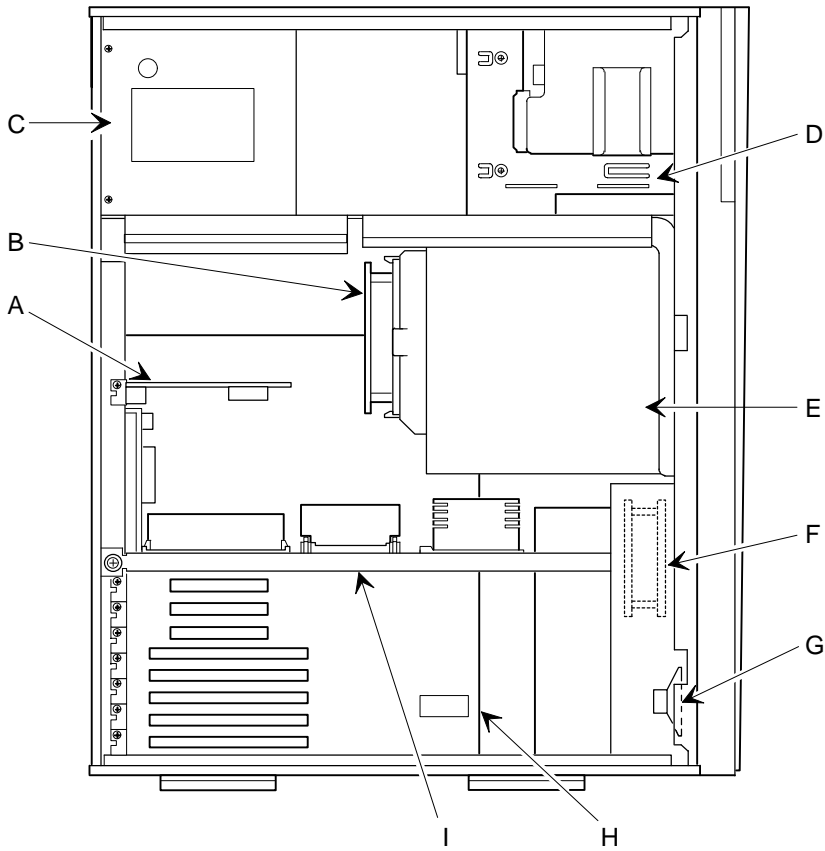


DEC01049-2

Figure 3-4. Server Front View

Server Left Side View

Figure Legend	Component
A	Ethernet daughter card
B	SBB cooling fan
C	Power supply
D	Upper drive bays
E	SBB storage bay
F	Main logic board cooling fan
G	Speaker
H	Main logic board
I	CPU module and retainer

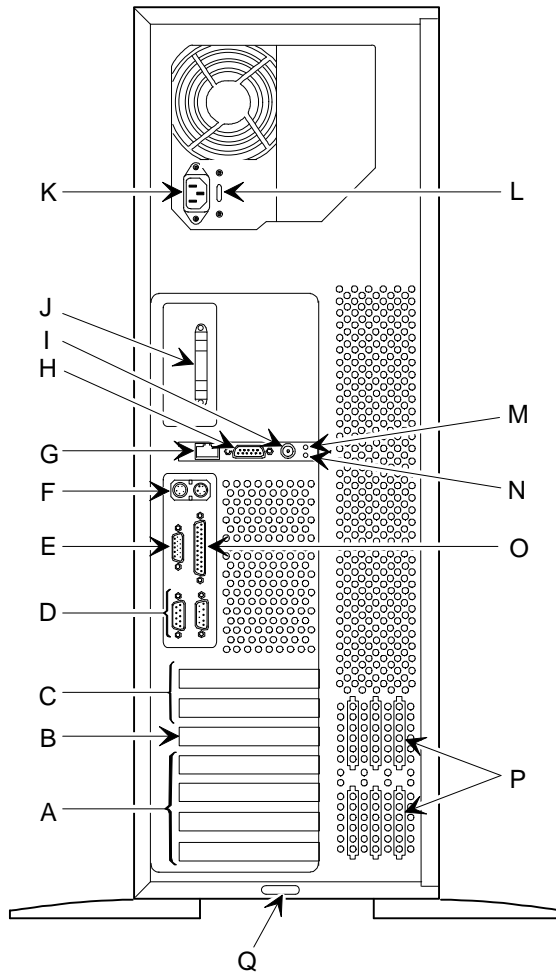


DEC01050-2

Figure 3-5. Server Left Side View

Server Rear View

Figure Legend	Component
A	Four dedicated EISA expansion slots
B	One shared EISA/PCI expansion slot
C	Two dedicated PCI expansion slots
D	Serial ports
E	SVGA graphics port
F	Keyboard and mouse ports
G	10/100Base-T port connector (RJ45)
H	10Base-5 connector (AUI)
I	10Base-2 port connector (BNC)
J	Wide external SCSI port
K	ac power input plug
L	Voltage select switch
M	Network activity indicator
N	Network power indicator
O	Parallel port
P	SCSI knockouts
Q	Security hold-down bar

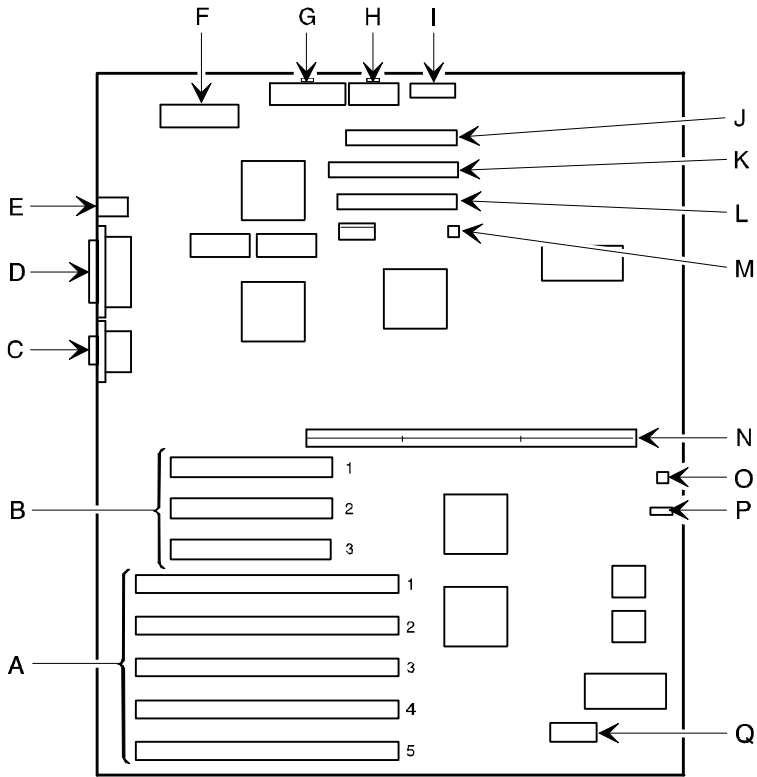


DEC01051

Figure 3-6. Server Rear View

Main Logic Board Connectors

Figure Legend	Connector
A	EISA expansion slots (1 through 5)
B	PCI expansion slots (1 through 3)
C	Serial ports
D	Parallel port and SVGA graphics port
E	Mouse and keyboard
F	Ethernet daughter card connector
G	5 V dc power supply in
H	3.3 V dc power in
I	Front panel switch and LED connector
J	Diskette drive connector
K	50-pin narrow SCSI bus connector
L	68-pin wide SCSI bus connector
M	Fan 2 connector
N	CPU module connector
O	Fan 1 connector
P	Speaker connector
Q	Remote Server Management (RSM) connector

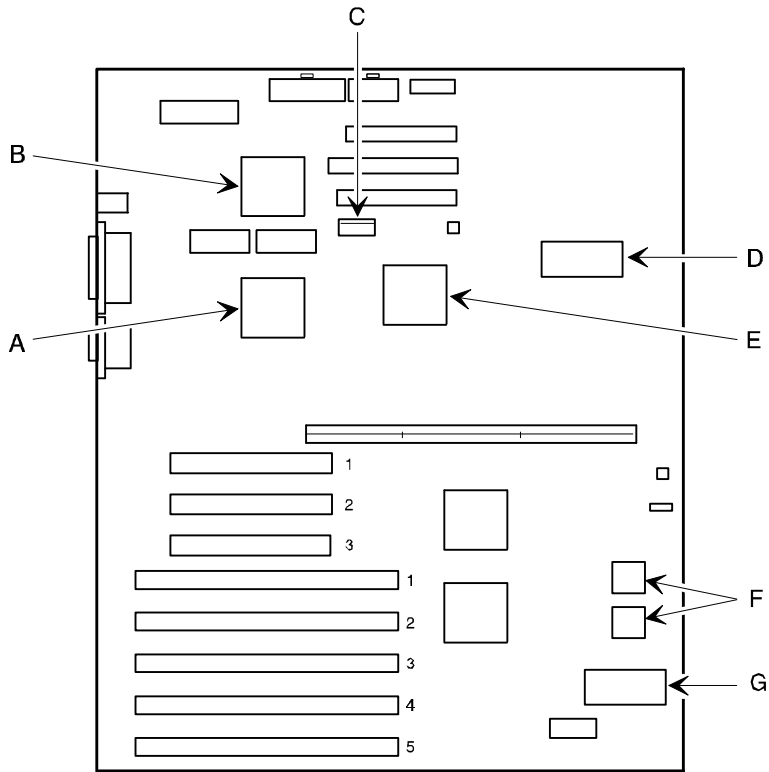


DEC01052-2

Figure 3-7. Main Logic Board Connectors

Main Logic Board Components

Figure Legend	Component
A	Video controller
B	Ethernet controller
C	DIP switch block
D	8031 ROM
E	SCSI controller
F	BIOS flash ROM
G	Real-time clock/server battery



DEC01052-3

Figure 3-8. Main Logic Board Components

CPU Module Components and Connectors

Figure Legend	Component/Connector
A	Eight memory SIMM sockets
B	Inside CPU #1 ZIF socket
C	Outside CPU #2 ZIF socket
D	Outside CPU #2 voltage regulator
E	Inside CPU#1 voltage regulator
F	Inside/outside CPU frequency ratio DIP switches (SW4)
G	Manufacturing test jumpers

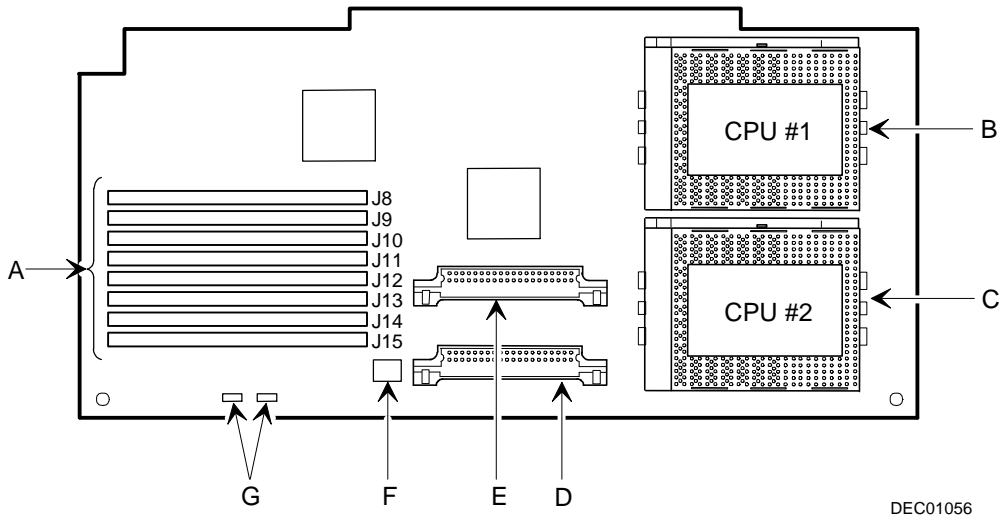


Figure 3-9. CPU Module Components and Connectors

Tools Needed

Prior to installing an option, have the following available:

- A Phillips screwdriver
- An antistatic wrist strap

Static Electricity

Static electricity collects on non-conductors such as paper, cloth, or plastic. A static discharge can be damaging even though you often cannot see or feel it. To prevent damage to circuit boards and/or components:

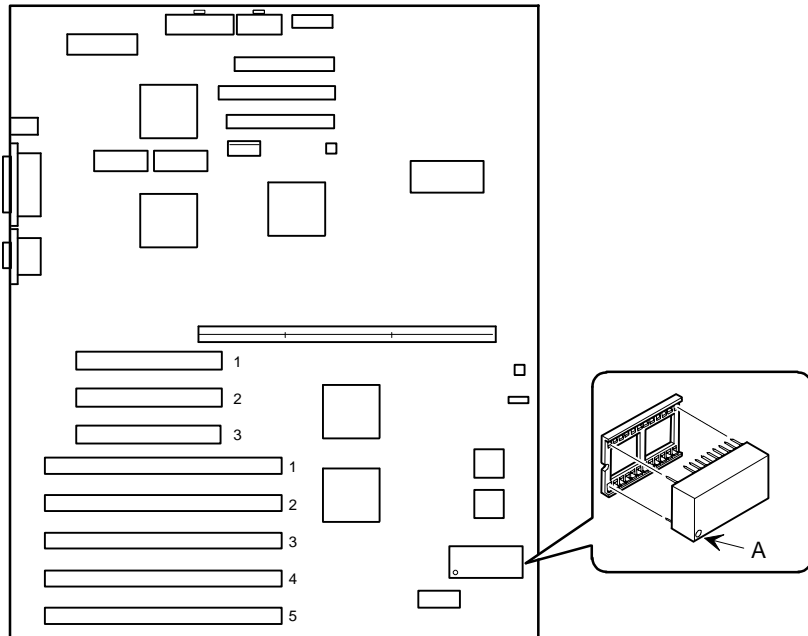
- Before touching any circuit board or component, put on a properly-grounded, anti-static wrist strap.
- Keep circuit boards and components away from non-conductors.
- Keep clothing away from circuit boards and components.
- Keep circuit boards in anti-static bags.

Replacing the Server Battery/Real Time Clock (RTC)

Your server's battery runs the server clock and retains any setup information when it is turned off. If your server ever fails to retain the correct date, time, or configuration settings when it is turned on, you need to replace your server's battery/RTC. The Digital part number for this device is 21-39151-01. Contact your service provider.

To replace the battery/RTC, perform the following:

1. If you have not already done so, record server configuration settings using the SCU.
2. Turn off your server.
3. Disconnect external devices, ac power, and monitor power.
4. Unlock and open the front bezel, loosen the two thumbscrews, and then remove the side panel..
5. Remove the old battery/RTC (see Figure 3-10).



DEC01052-4

Figure 3-10. Replacing the Server Battery/RTC



CAUTION: Depending on your locality, your server's battery/RTC might be considered hazardous waste. Make sure you follow any state or local statute to properly dispose of the old battery/RTC because of its imbedded lithium battery.

6. Install the new battery/RTC. Make sure pin 1 of the battery/RTC is aligned with pin one on the socket (A, Figure 3-10).



CAUTION: Danger of explosion if battery/RTC is incorrectly replaced. Replace only with the same or equivalent type recommended by the manufacturer. If you have questions, consult your nearest authorized service provider.

7. Replace the side panel, tighten the two thumbscrews, and then close and lock the front bezel.
8. Connect external devices and restore power.
9. Reboot and run the SCU:
 - a. Select Configure Computer from the SCU screen.
 - b. Select View and Edit Details from the displayed screen.
 - c. Edit the configuration settings to match what was recorded in step 1.
 - d. Select Save and Exit to configure your server.

Refer to Chapter 2, "Server Software and Utilities."

Server Management

4

Introduction

The Prioris MX 6200 server is configured with hardware that supports server management, including an 8031 processor with multiple I²C busses for server status reporting.

Managing Your Server

The Prioris MX 6200 server allows you to perform the following server management functions:

- Monitor main logic board voltage and cooling fan status
- Monitor CPU module voltage, temperature and status
- Detect and automatically correct single-bit ECC errors

The Prioris MX 6200 server allows you to manage your server and its main components by:

1. Obtaining information about the main logic board and the CPU module.
2. Notifying you of any changes to the main logic board or CPU module on your server.

Information can be obtained either through the SCU or through System Management Software such as ServerWORKS Manager.

Obtaining Information about Your Server

The Prioris MX 6200 server provides the following system information for the main logic board and the CPU module configured on your server:

- Asset number — User definable field for tracking these components
- Part number — Digital part number
- Revision number — Board assembly revision number
- Serial number — Serial number of the board assembly
- Artwork number — Revision of the printed circuit board

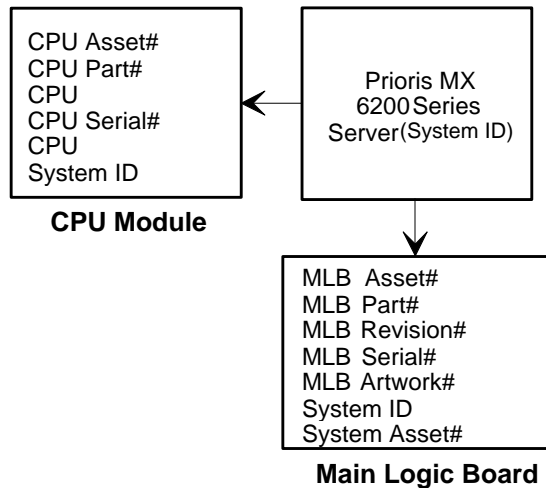
The System ID is also located on the main logic board and CPU module. The System ID contains the following information:

- Model number — Server model number
- Serial number — Server serial number
- System asset number — User definable field for tracking the system

The main logic board and CPU module each contain memory where specific information and System ID information is stored. The main logic board also stores the server's System Asset number (see Figure 4-1).

Information is available for the server's main logic board and CPU module (such as part numbers, revisions, serial numbers, etc.). You can also assign Asset numbers to these components. In addition, the software can detect when you change your server configuration by adding or removing either component.

You can obtain information about your server's configuration by running the SCU or by using System Management Software.



DEC0105

Figure 4-1. Prioris MX 6200 Server Component Information

Obtaining Information Using the SCU

You can use the SCU to check the Serial number, Revision number, and Asset number for the main logic board and CPU configured in the server. For example, if you change the main logic board or CPU module in your server, you must run the SCU to re-synchronize the System ID (server model number and serial number) in the main logic board or CPU module's memory. The SCU will check the new main logic board or CPU module and will then detect the System ID mismatch.

You can view the details for the main logic board or CPU module simply by selecting either the main logic board or CPU module. Once selected, the Serial number, Revision number and Asset number displays. The SCU then lists the server model number and server serial number information stored on the main logic board or CPU module. You can then confirm the correct model number and serial number. This data is available on the label located on the server back panel.

Refer to Appendix C, "SCU Features," for more detailed information about the SCU.

Obtaining Information Using Server Management Software

Your Prioris MX 6200 server is shipped with ServerWORKS Manager software. ServerWORKS Manager is a workgroup and server management product for Digital's family of servers. ServerWORKS Manager utilizes the Simple Network Management Protocol (SNMP) environment to assist the Network or Server administrator by constantly monitoring the network for problems.

ServerWORKS Manager is based on an open architecture that enables seamless integration and interoperability with popular enterprise management software packages such as Digital's POLYCENTER Manager/NetView, Hewlett-Packard's OpenView UX for Windows, and IBM's Netview/6200 AIX. Also included with ServerWORKS Manager are Network Operating System (NOS) Agents for Windows NT V3.51, Novell NetWare V3.12 and V4.x, and SCO UNIX V5.0. The OS/2 NOS includes its own agent and can also be managed from ServerWORKS Manager.

ServerWORKS Manager allows the Network or Server Administrator to perform the following functions on your server:

- Manage Digital PC print, file, and application servers supported by Prioris Intel servers using a Windows-based graphical user interface (GUI) for point and click simplicity.
- Display server component information that provides critical information such as CPU and file system utilization and information about the network interface.
- Automatically builds a database of the network by Autodiscovering all SNMP network resources and displays the nodes discovered during Autodiscovery on a color-coded topological map.
- Poll all network devices at intervals defined by the administrator.
- Perform an in-depth network analysis to continuously monitor the status of the network.
- Set alarms and alerts for specified events on all network devices, as well as the network itself, to spot problems early and avoid costly downtime.

Refer to ServerWORKS Manager Administrator User's Guide for more information on how to use ServerWORKS Manager to view and be notified of events on the server.

You can also manage the Prioris MX 6200 server with other SNMP-based managers.

Refer to the chapter on Managing Servers using other SNMP based Managers in the ServerWORKS Manager Administrator User's Guide for more information.

Displaying Server Status Using the Hardware

There are two types of information displayed when your Prioris MX 6200 server is operating:

- Normal status messages
- Error messages

During normal operation, Power On Self Test (POST) and boot messages are displayed on the monitor. Some error messages are also displayed by the server fault status LEDs.

These messages can also be seen by using ServerWORKS Manager to monitor the server.

Refer to Appendix A for server fault status LED indications and POST messages.

CPU Module Upgrade Configurations

5

Introduction

Installing a second higher-performance CPU module increases the capabilities of your server. This chapter describes the configuration guidelines that must be followed prior to upgrading as well as detailed procedures on removing and installing a CPU module.

Configuration Guidelines

- Use only Digital-supplied CPU modules.
- Use an antistatic wrist strap when servicing any part of the server.
- A CPU upgrade can be done by installing a higher-performance CPU module.

Server CPU Module Configurations

The following table lists the available CPU module configurations:

CPU Configuration	Number of CPUs
1P 256 KB cache	1
2P 256 KB cache	2

CPU Module Upgrade Configurations

You can upgrade your Prioris MX 6200 server with a second 256 KB cache CPU module.

Previous CPU Configuration	New CPU Configurations Available
1P 256 KB cache	2P 256 KB cache

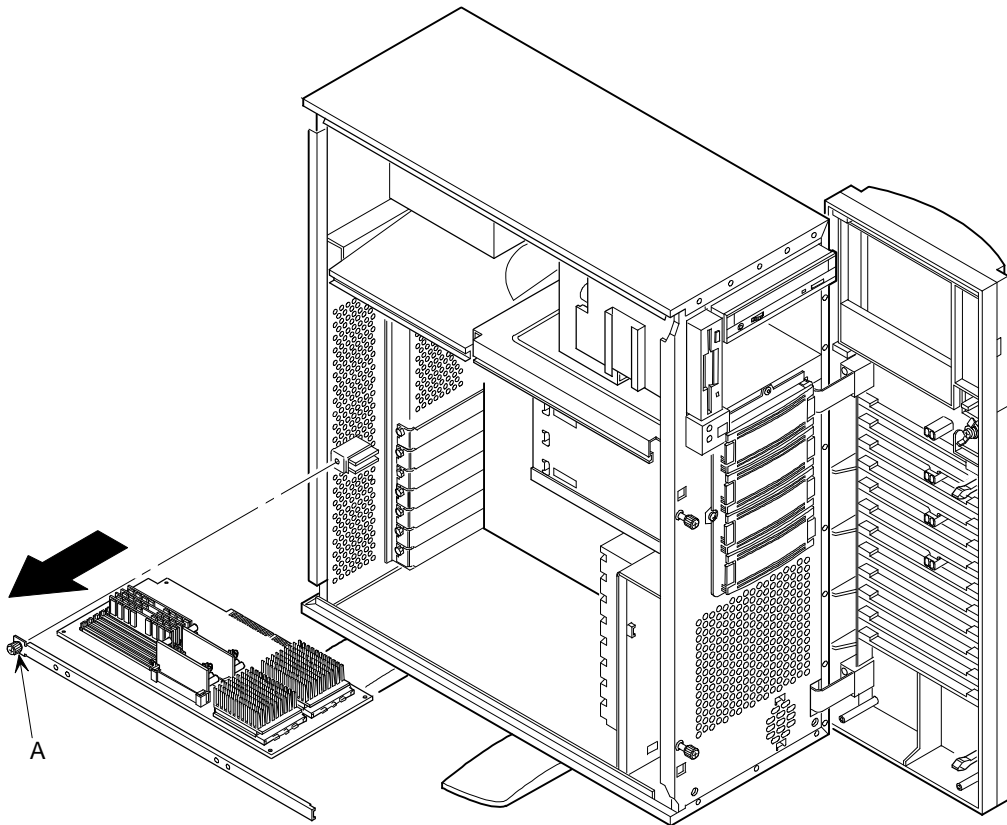


NOTE: When upgrading your system to a faster CPU, you may need to update the system BIOS. Refer to Chapter 2: “BIOS Upgrade Utility.”

Upgrading to a New CPU Module Configuration

To upgrade:

1. Shut down the operating system software.
2. Turn off your server.
3. Disconnect all external devices, ac power, and monitor power.
4. Unlock and open the front bezel, loosen the two thumbscrews, and then remove the side panel.
5. Loosen the thumbscrew and then remove the retainer and CPU module (A, Figure 5-1).



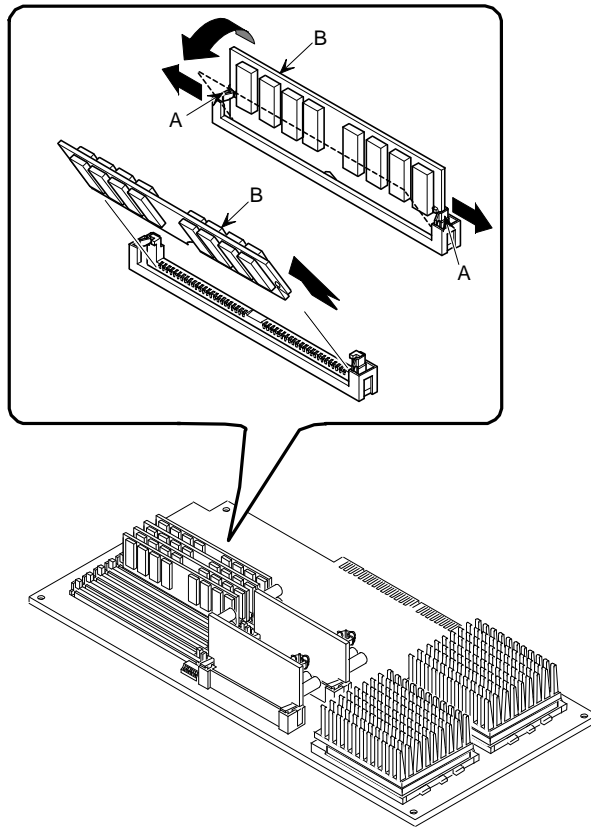
DEC01054-2

Figure 5-1. Removing the CPU Module

CPU Module Upgrade Configurations

6. Remove the server memory (SIMMs) from the old CPU module:
 - a. Press the SIMM retaining clips out (A, Figure 5-2).
 - b. Pivot the SIMM down and pull it out of the socket (B, Figure 5-2).
 - c. Repeat steps a. and b. to remove the remaining SIMMs.

Note that the SIMMs can be reused.



DEC01066-2

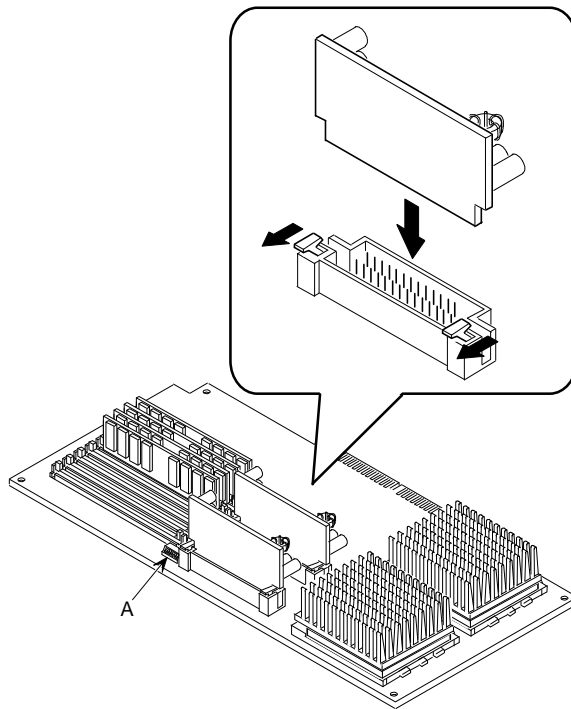
Figure 5-2. Removing SIMMs

- 7 Remove the new CPU module, two regulators, and retaining bracket from the antistatic package. Check switch SW4 on the CPU module for the appropriate switch settings (A, Figure 5-3).

Refer to Appendix A, "Technical Specifications," for switch descriptions and locations.

8. Install the regulators in their appropriate slots on the CPU module.
9. Install the previously removed SIMMs on the new CPU module.

Refer to Chapter 6, "Installing Additional Memory," for installation procedures.



DEC01032-3

Figure 5-3. Installing the Regulators

CPU Module Upgrade Configurations

10. Install the CPU module in the slot (see Figure 5-4). Install the retaining bracket and secure the captive screw located on the bracket to the chassis.

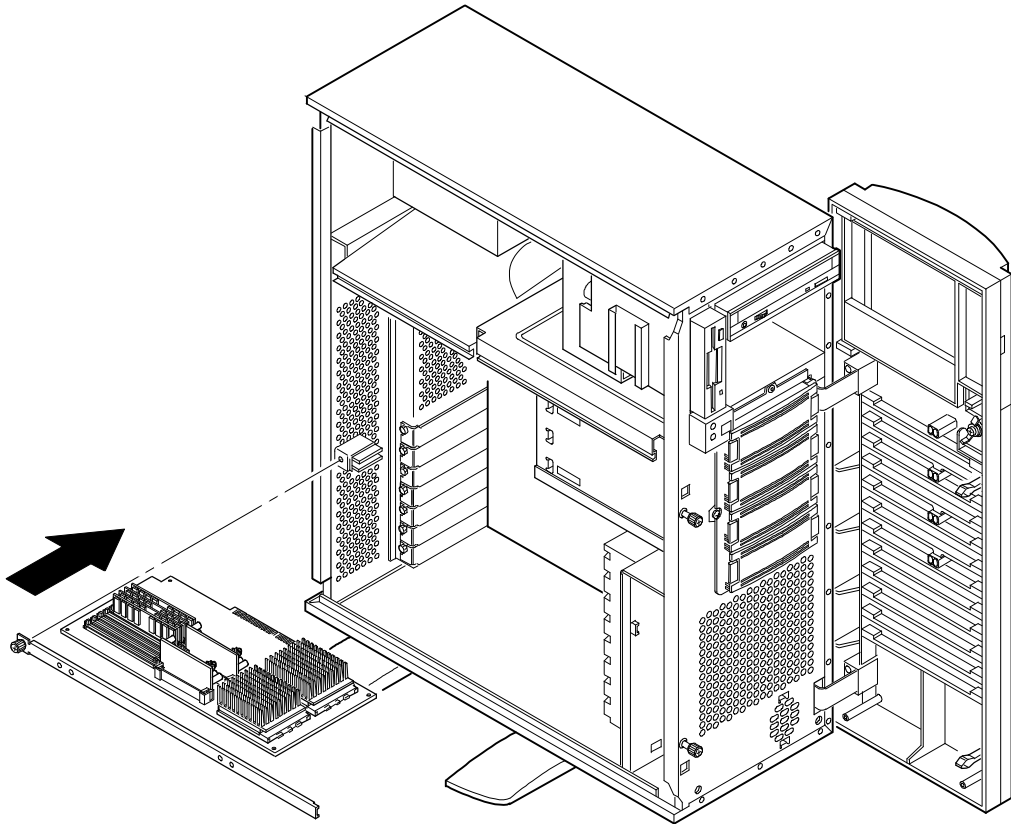


CAUTION: The CPU module has a row of gold fingers on its edge that plug into the main logic board slot. The CPU module must be pushed firmly into the slot to engage the gold fingers or your server might not power up on boot.

11. Replace the side panel, secure the two thumbscrews, and then close and lock the front bezel.
12. Connect all external devices and restore power.
13. Run the SCU, select Configure Computer, select View and Edit Details, and then select Save and Exit.

This allows your server to recognize the new CPU module configuration.

Refer to Chapter 2, "Server Software and Utilities."



DEC01054-3

Figure 5-4. Installing a CPU Module

Installing Additional Memory

6

Introduction

By adding more memory, you can run larger and more complicated software on your server. Your Prioris MX 6200 server supports up to 1 GB of EDO or Fast-Page memory¹ using single in-line memory modules (SIMMs).

This chapter provides the memory configuration guidelines that must be followed prior to installing additional SIMMs on the installed CPU module.

The Prioris MX 6200 server provides a two-way interleaved memory system, with a minimum supported memory of 32 MB. Memory is configured in banks, with each bank containing two SIMMs (thus the term two-way interleaving). The CPU module contains Banks 0 through 3, with two SIMMs per bank.

Refer to the “Memory Interleave Upgrade Path” section listed later in this chapter.

¹ Dependent on availability of 128 MB EDO or FP SIMMs.

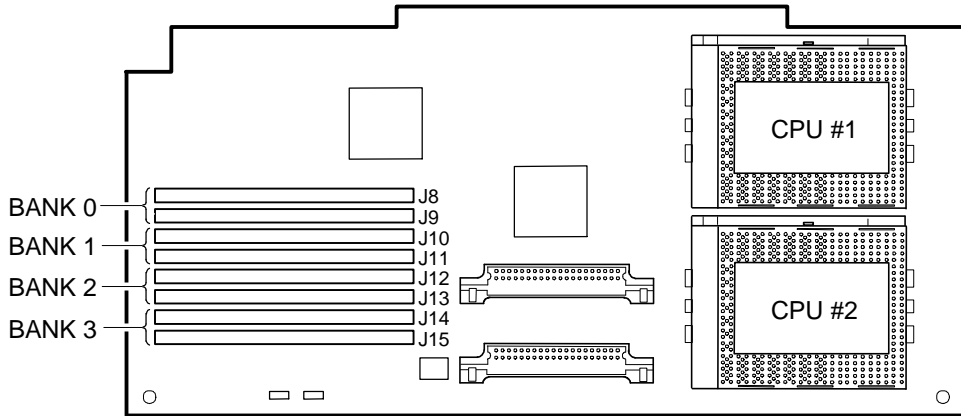
Server SIMMs Requirements

Supported SIMMs	36-bit SIMMs, 60 ns access time, EDO memory or 36-bit SIMMs, 60 ns access time, Fast page memory
Supported densities	8, 16, 32, 64 MB of EDO/FP memory (refer to the memory configuration guidelines for additional information)
Minimum server memory supported	32 MB
Maximum server memory supported	1 GB

Memory Configuration Guidelines

The memory configuration guidelines for the Prioris MX 6200 server are as follows:

- Each memory bank on the CPU module must contain two SIMMs which must be the same size and type.
- Install memory starting at Bank 0.
- Minimum memory supported is 32 MB.
- Maximum memory supported is 1 GB.
- 60 ns or faster SIMMS are supported.
- Fast Page memory can be mixed with EDO memory by bank only.



DEC01029-3

Figure 6-1. CPU Module SIMM Bank Locations

Upgrading Memory

You can upgrade memory on your Prioris MX 6200 server by adding SIMMs on the installed CPU module. You must add two SIMMs (per bank) when expanding memory starting from Bank 0.

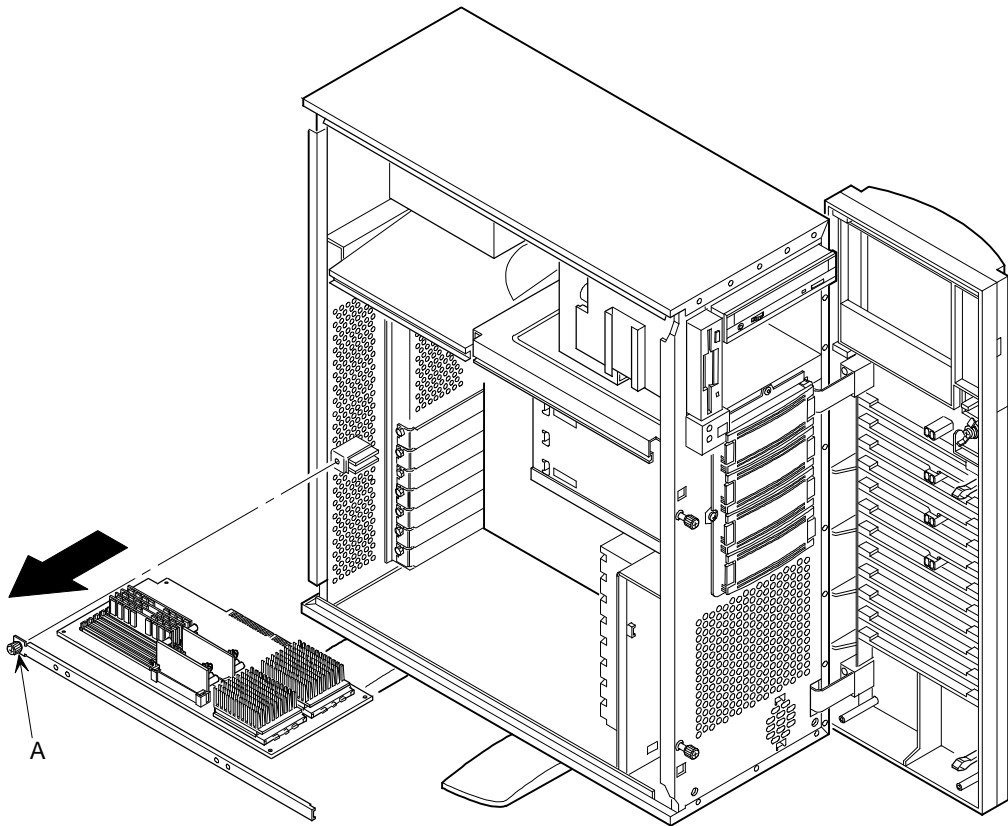
Installing SIMMs



NOTE: Prior to installing additional memory in your Prioris MX 6200 server, refer to the previous section to verify the memory configuration you have planned conforms to all memory configuration guidelines.

To install SIMMs, perform the following:

1. Power down your server.
2. Disconnect all external devices, ac power, and monitor power.
3. Unlock and open the front bezel, loosen the two thumbscrews, and then remove the side panel.
4. Loosen the thumbscrew and then remove the retainer and CPU module (A, Figure 6-2).
5. Carefully remove the CPU module from the main logic board and place it on an antistatic surface.



DEC01054-2

Figure 6-2. CPU Module Removal

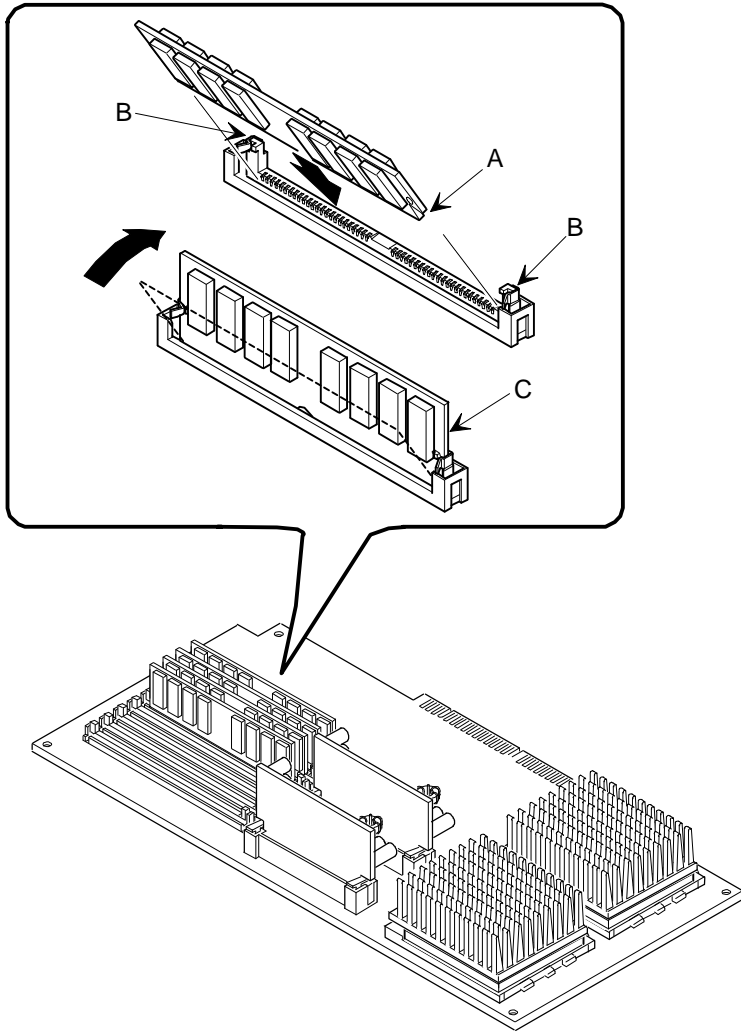
Installing Additional Memory

6. Install a SIMM into a socket at a 45 degree angle away from the edge connector.

Make sure the notch is oriented as shown (A, Figure 6-3). Rock the SIMM gently until it completely engages the bottom of the socket. Tip the SIMM upright until both retaining clips engage (B, C, Figure 6-3).

7. Install the remaining SIMMs in complete banks on the CPU module.
8. Replace the CPU module.
9. Replace the side panel, secure the two thumbscrews, and then close and lock the front bezel.
10. Connect all external devices and restore power.
11. Run the SCU. Select Configure Computer from the main menu, and then select Save and Exit to configure your server for the additional memory.

Refer to Chapter 2, "Server Software and Utilities."



DEC01032-2

Figure 6-3. Installing a SIMM

Memory Troubleshooting

The Prioris MX 6200 server POST can detect memory errors when it boots. The error can be isolated to the bank (a pair of SIMMs) on the installed CPU module. Additional information is displayed to indicate size and type (EDO or Fast Page memory).

The memory error message format is as follows:

<Type of Error>: <Location>

Where:

<Type of Error>	Correctable error Uncorrectable error
<Location>	J8/J9 (bank 0) ⁽¹⁾ J10/J11 (bank 1) ⁽¹⁾ J12/J13 (bank 2) ⁽¹⁾ J14/J15 (bank 3) ⁽¹⁾

⁽¹⁾ xxMB EDO SIMMs or xxMB Fast Page SIMMs

Example:

Uncorrectable Error : CPU Module J8/J9

Refer to Figure 6-1 to locate the bank and J designation numbers.

If a correctable error occurs, the BIOS will display: "Press <F1> to resume" after the server boots.

If an uncorrectable error occurs, the server will halt after the memory test.

To isolate to the failing SIMM, replace one of the two SIMMs which was indicated in the POST error message with a similar SIMM and then rerun POST. If the same error message occurs, replace the second SIMM with the SIMM that was previously removed.

Installing Disk and Tape Drives

7

Introduction

This chapter describes the configuration guidelines that must be followed prior to installing optional disk and tapes and an external storage box. Detailed installation procedures are also included.

Tape Drive Configuration Guidelines

- Tape drive(s) should be installed in the front access 5¼-inch drive bays.
- A full-height tape drive occupies two half-height 5¼-inch drive bays.

Hard Disk Drive/SBB Configuration Guidelines

- A maximum of six hard disk drives can be installed and configured in the server.
 - Four Storage Building Block (SBB) drives in the hot swap bay area.
 - Two non-hot swap drives in the upper bay area
- SBBs must only be installed in the hot-swap, lower bay area.

CD-ROM Drive Configuration Guidelines

- The factory installed SCSI CD-ROM drive has its SCSI ID set to 5.
- The CD-ROM drive should always be connected to the onboard Adaptec SCSI controller to support the bootable ServerWORKS Quick Launch CD.

SCSI Configuration Guidelines

The following sections describe the SCSI configuration guidelines that must be adhered to so your server operates correctly after installing and connecting SCSI devices.

SCSI ID and Termination

- Your server supports up to seven internal SCSI devices, including four SBBs, one CD-ROM drive, and two half-height devices located in the upper bays above the SBB area.
- The CD-ROM drive and the two half-height devices located in the upper bays can only be connected to the narrow SCSI bus.
- The four SBB devices can only be connected to the wide SCSI bus.

Limitations on connecting these devices might also be based on the manufacturer's design.

Setting IDs and Termination

- Each device on the channel must be assigned to a unique SCSI ID number. The narrow SCSI bus supports eight devices in the range of 0-7.
- The wide SCSI bus supports 16 devices in the range of 0-15. In either bus, the SCSI ID 7 usually is assigned to the SCSI controller. This can be changed in the configuration utility.
- Both ends of the SCSI bus must be terminated. In most cases, one side of the termination will be set on the main logic board, using the configuration utility. The other termination can be found on a SCSI device as a jumper setting or the last connector of a bus cable using an in-line SCSI terminator.
- If a device such as a CD-ROM drive has a terminator jumper installed and the CD-ROM drive is plugged into the second connector on the cable from the SCSI controller, no other devices will be “seen” beyond the second connector.

Boot Device

- The SCSI controller with the lowest BIOS address is identified by the server as the “primary” SCSI controller. When loading the operating system from a SCSI SBB, this primary or boot drive must be connected to the primary SCSI controller.
- To improve server performance, you might want to distribute the SCSI devices across the SCSI controllers.
- Each operating system has different limitations regarding the number of SCSI controllers that are supported. Refer to your operating system documentation for additional information.

External Channel

- Make sure that the SCSI ID you select for the external SCSI devices do not conflict with other devices installed in the server on the same bus.
- Make sure that the external SCSI bus is terminated properly.
- For proper operation, the length of the SCSI cable must not exceed 1 meter (3.28 ft)*. This includes the length of the internal cable plus the length of the external cable to the bulkhead.
- You will need to disable termination on the controller if it is in the middle of the daisy chained SCSI cable. If you remove the controller termination, make sure both ends of the SCSI cable are properly terminated.

* According to Digital specifications

Storage Backplane

- SBBs must only be installed in the hot-swap bay area.
- A maximum of four SBBs can be installed.
- A SCSI ID for each SBB is assigned by the switch settings on the storage backplane (see Figure 7-1).

Refer to the SCSI Bus Target ID Settings table in the Drive ID section.

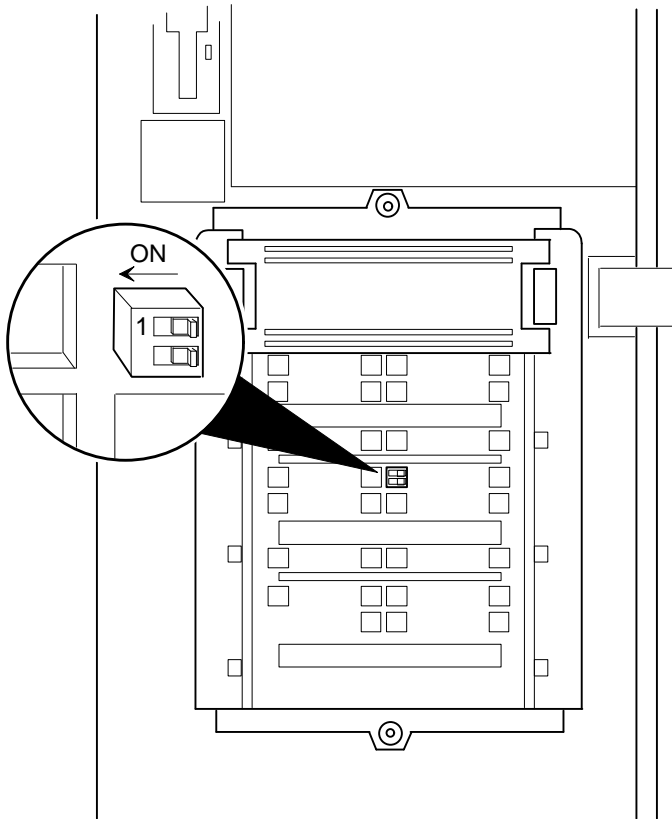
Drive ID

- The SCSI ID addressing is independent of the single or dual SCSI bus arrangement. Make sure you select unique SCSI IDs for all SCSI devices on the SCSI bus.
- You must use a wide SCSI controller to set SCSI IDs greater than seven.
- Your CD-ROM drive and tape drive IDs must be set manually via jumpers on the device. Refer to your manufacturer's documentation for information on setting drive IDs. The factory installed CD-ROM drive has its SCSI ID set to 5.

SCSI Bus Target ID Settings (SW1 Figure 7-1)

Switch Position Setting	SCSI ID			
Top switch, (SW1-1) OFF	0	1	2	3
Top switch, ON	8	9	10	11
Bottom switch (SW1-2)	No connection			

Installing Disk and Tape Drives



DEC01064

Figure 7-1. Storage Backplane Switch Location



NOTE: You need to remove the third SBB from the top to gain access to switch SW1 (see Figure 7-5).

Cables

- Narrow SCSI cable with four connectors connected to the narrow SCSI bus on the main logic board, to the two 5¼-inch half-height drive bays, and then to the CD-ROM drive.
- Wide SCSI cable with two connectors connected to the wide SCSI bus on the main logic board and to the bottom 68-pin wide SCSI connector on the storage backplane.
- Wide SCSI cable with two connectors connected to the top 68-pin wide SCSI connector on the storage backplane and to the external wide SCSI connector at the rear of the server.
- A narrow SCSI bus terminator connected to the end connector of the narrow SCSI cable.
- A wide SCSI bus terminator connected to the wide SCSI bus connector on the top of the backplane. This terminator must be moved to the end of the external wide SCSI bus connector if installed.

Installing Optional Drives

Your server has two drive bay areas. Optional drives such as a SCSI disk drive, a diskette drive, a SCSI CD-ROM, and a SCSI tape are installed in these drive bay areas. The two drive bay areas are:

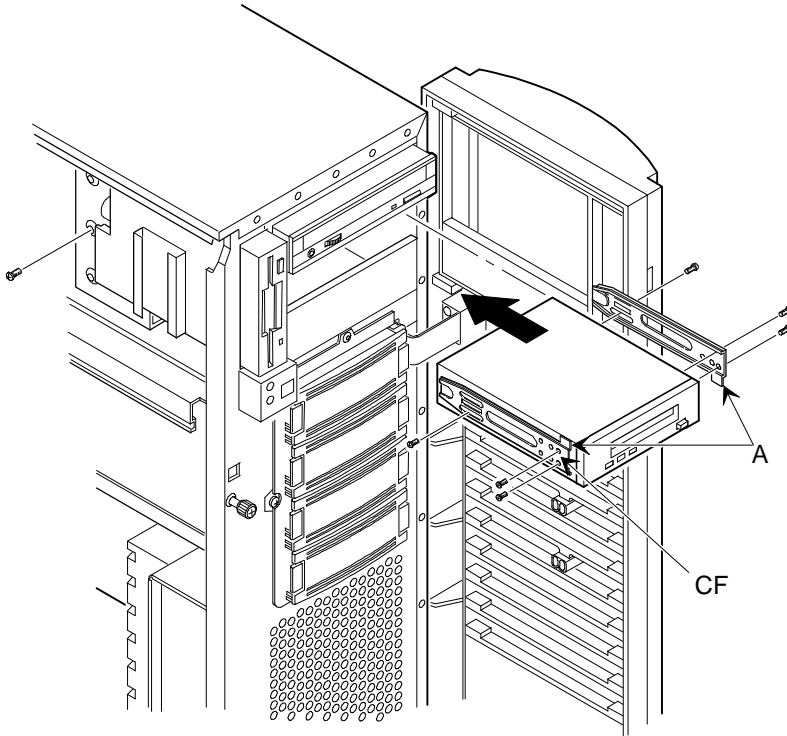
- Top drive bay area—This area has one 5¼-inch SCSI CD-ROM drive, one 3½-inch diskette drive (both standard on the Prioris MX 6200 server) and room for two narrow (50-pin) 5¼-inch half-height SCSI devices or one full-height, 5¼-inch device. Devices can include CD-ROM drives or tape drives.
- Hot Swap (lower) drive bay area—This area has room for four 3½-inch wide SCSI SBB devices capable of “hot swapping”, exchanging the device while the system is powered on and not accessing the device.

Installing a Half-Height 5¼-Inch Device into the Top Drive Bay

To install a half-height 5¼-inch device into one of the top drive bay slots, perform the following:

1. Turn off your server.
2. Disconnect all external devices, ac power, and monitor power.
3. Unlock and open the front bezel, loosen the two thumbscrews, and then remove the side panel.
4. Remove the front plastic filler panel.
5. Remove the two brackets from inside the drive bay and then attach them to the device.
 - a. Ensure that the tab on the left bracket is up (A, Figure 7-2) and the tab on the right bracket is down.
 - b. Install two screws in the front holes (C/F) and in one rear slot. (Note that, when installed, the labeling on the right bracket will be upside down.)
6. Insert the device into the drive bay slot from the front.
7. Secure the device to the slot using the supplied pan-head mounting screw.

Refer to Chapter 9, "Connecting SCSI and RAID Adapters," for power and SCSI cable connections.



DEC01055-2

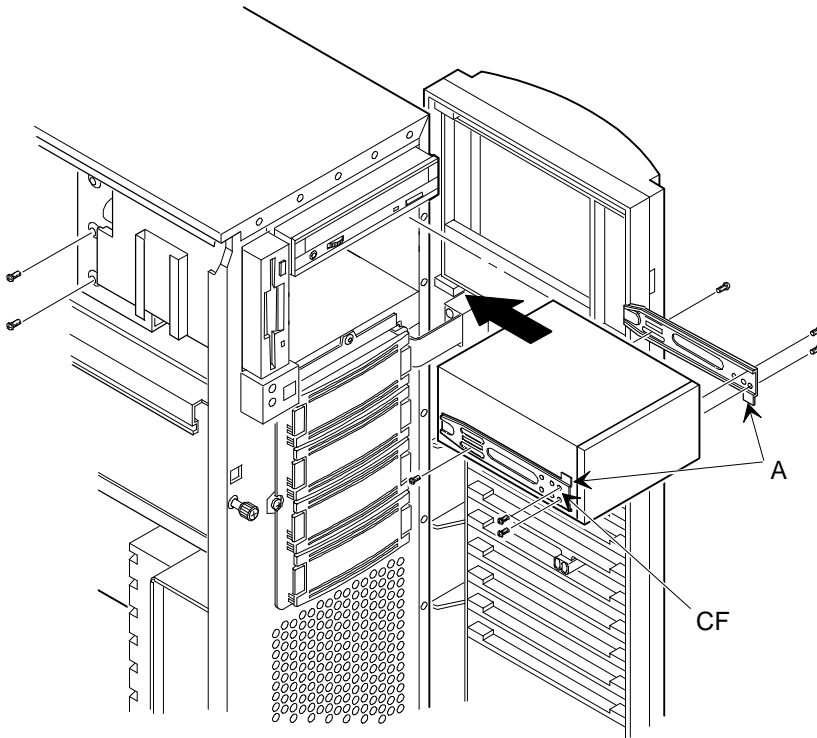
Figure 7-2. Installing a Half-Height 5 1/4-Inch Device Into Top Drive Bay

Installing a Full-Height 5¼-Inch Device into the Top Drive Bay

To install a full-height 5¼-inch device into the top drive bay slots, perform the following:

1. Turn off your server.
2. Disconnect all external devices, ac power, and monitor power.
3. Unlock and open the front bezel, loosen the two thumbscrews, and then remove the side panel.
4. Remove the front plastic filler panels.
5. Remove the two brackets from the inside of the drive bay and attach them to device.
 - a. Ensure that the tab on the left bracket is up (A, Figure 7-3) and the tab on the right bracket is down.
 - b. Install two screws in the front holes (C/F) and in one rear slot.(Note that, when installed, the labeling on the right bracket will be upside down.)
6. Insert the device into the drive bay from the front.
7. Secure the device using the two supplied mounting screws.

Refer to Chapter 9, "Connecting SCSI and RAID Adapters," for power and SCSI cable connections.

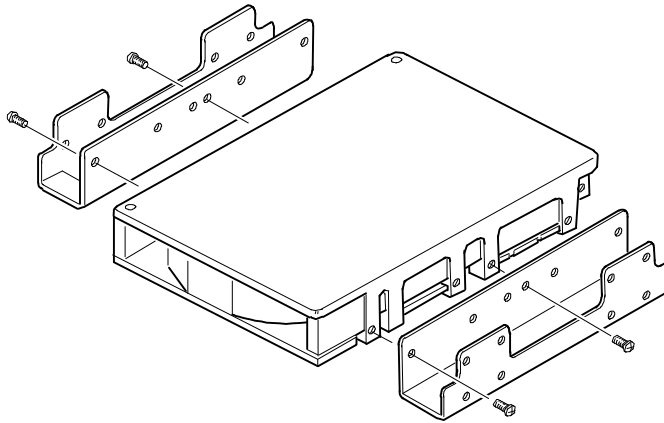


DEC01055-3

Figure 7-3. Installing a Full-Height 5 1/4-Inch Device Into Top Drive Bay

Expansion Brackets

You can install 3½-inch half-height devices in the top drive bay. If you plan to install a 3½-inch device in a 5¼-inch drive bay slot, you must first install the 3½-inch expansion brackets onto the device, as shown in Figure 7-4. The 3½-inch expansion brackets (74-44337-01) are either supplied with the device or can be purchased from Digital. Contact your local Digital sales representative for additional information. Afterwards, install the 3½-inch device following the procedures described in “Installing a Half-Height 5¼-Inch Device into the Top Drive Bay.”



DEC0723A

Figure 7-4. Installing 3½-Inch Expansion Brackets

Hot-Swap Drive Bay

Hot-swapping allows you to remove or install an SBB while the server remains on-line and active but not accessing the device being swapped. This eliminates interference with the server's operation. For SBBs, you can use the hot-swap method to replace a device providing that the device is not active (green activity LED is off).

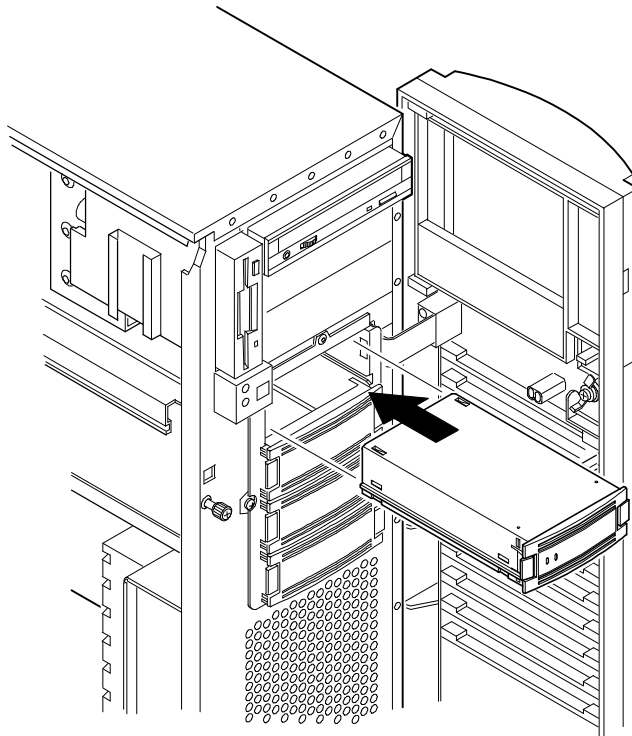


NOTE: You might need to reconfigure your server to recognize the devices you installed.

Use the following procedure to install or replace an SBB:

1. Unlock and open the front bezel.
2. Remove the filler panel or SBB by pressing the two tabs together to pull filler panel or SBB out (A, Figure 7-5).
3. Insert the new SBB into the guide slots and push it in until it is fully seated and the mounting tabs engage the shelf.
4. Close and lock the front bezel.

Installing Disk and Tape Drives



DEC01058-2

Figure 7-5. Installing a Device Into the Hot-Swap Drive Bay

SBB LED Status Indicators

The hot-swap backplane monitors SBB status to identify error conditions or failures. This status is displayed on the SBB LEDs. The left LED displays the device activity status and the right LED displays the fault status.

- The left LED (green) is the activity status LED and is on or flashing when the SBB is active.



CAUTION: For non-RAID adapters, removing a SBB when the left LED is on or flashing can cause the loss or corruption of data.

- For RAID adapters, the right LED (amber) is the SBB fault LED and indicates an error condition when it is either on or flashing.

SBB Status LEDs

Activity Status LED	Fault Status LED	Indication
On	Off	Device is operating properly
Flashing	Off	Device is operating properly
Off	Off	Device is inactive and operating normally. There is no fault.
On	On	Fault status, device is hung. Replace SBB.
Off	On	Fault status, device is inactive and spun down. Replace SBB.
On	Flashing	Fault status, device is active and spinning down due to a fault.

Installing the External Wide SCSI Cable Assembly

To connect the external wide SCSI cable assembly:

1. Power down the Prioris MX 6200 server.
2. Unlock and open the front bezel, loosen the two thumbscrews, and then remove the side panel.
3. Remove the 68-pin terminator from the storage backplane above the fan by unscrewing its thumbscrews.
4. Plug the male end of the external wide SCSI cable assembly into the storage backplane.

Refer to Chapter 9, "Connecting SCSI and RAID Adapters," for power and SCSI cable connections.

5. Remove any cover plate from the external wide SCSI port hole at the rear of the chassis.
6. Remove one of the hex-head screws from the end of the external wide SCSI assembly and then loosen the other.
7. Thread the cable through the nylon cable clamps at the top of the chassis divider. Do not block the air flow from the fan.
8. Insert the cable connector through the external wide SCSI port hole and secure it in place with the hex-head screws.
9. Attach the terminator to the external wide SCSI connector at the rear of the server.



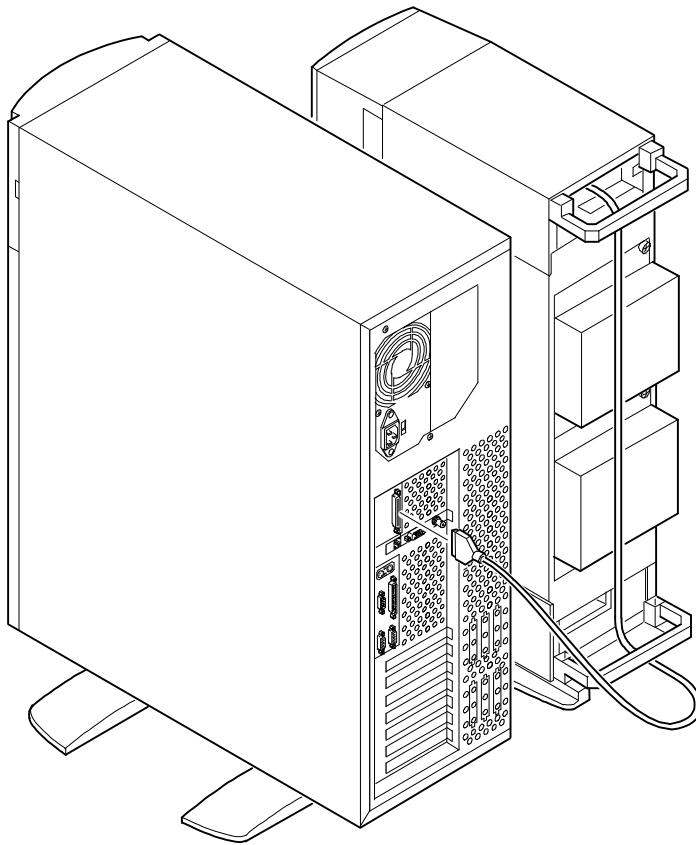
CAUTION: Do not ship the server with the terminator installed. Having the terminator installed during shipping might damage the cable connector.

Connecting an External SCSI Storage Box

To connect an external SCSI storage box:

1. Power down the Prioris MX 6200 server.
2. Remove the terminator from the external wide SCSI connector at the rear of the server.
3. Connect the external SCSI storage box cable to the external wide SCSI connector at the rear of the server making sure it is properly terminated.

Installing Disk and Tape Drives



DEC01059

Figure 7-6. Connecting an External SCSI Storage Box

Installing Expansion Boards

8

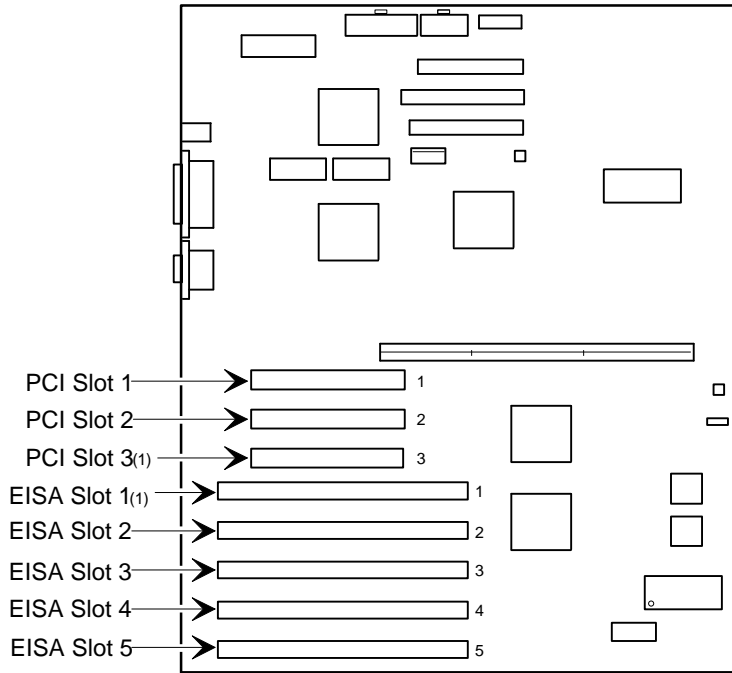
Introduction

This chapter contains the configuration guidelines that must be followed prior to installing ISA, EISA or PCI expansion boards as well as detailed installation procedures. Note that EISA and PCI expansion boards can be SCSI, RAID, and Network Interface Card (NIC).

ISA/EISA Expansion Board Configuration Guidelines

- EISA slots one through five support industry-standard 32-bit EISA expansion or 16-bit ISA boards.
- ISA/EISA boards should be installed starting in EISA slot two. Install a board in the shared EISA slot (slot 1) last.
- You must run the SCU after installing any EISA expansion board.
- You must run the SCU before installing any ISA expansion board to view assigned IRQs and addresses for other options.
- Delete this bullet
- RSM card (optional) is installed in EISA slot 2.

Installing Expansion Boards



DEC01052-5

⁽¹⁾ PCI slot 3 and EISA slot 1 share an expansion slot at the rear of the server

Figure 8-1. Expansion Board Slot Locations

PCI Expansion Board Configuration Guidelines

- PCI slots one through three support bus mastering 32-bit PCI expansion boards.
- PCI boards should be installed starting in PCI slot one. Install a board in the “shared PCI slot” (slot 3) last.
- PCI video expansion boards should be installed in PCI Bus 0, slot one to three.



NOTE: Your server’s BIOS will automatically disable the onboard video controller when a video expansion board is installed. Connect the video cable to the video expansion board and the server will boot normally.

- The SCU automatically scans the PCI bus and will assign an IRQ and I/O port address for any new PCI board installed in the server.

Configuring Your EISA/PCI Expansion Boards Using the SCU

When installing EISA and PCI expansion boards in your server, the SCU must be run to configure these boards.

For EISA expansion boards, the SCU will allow you to review/modify the default IRQ and I/O port address. These values are saved in the SCI file and can be loaded using that file when the SCU is rerun.

For PCI expansion boards, the SCU will autodetect the boards and assign IRQs to the boards. The ROM addresses for these PCI expansion boards will be assigned based on the PCI scan order and address availability.

Boot Devices

The SCU allows you to define the boot device location as:

- Embedded SCSI controller
- PCI expansion slot

For the embedded SCSI controller, the boot device will be the first bootable device found starting at SCSI ID 0. The boot device on an expansion board will be determined by the server boot sequence and PCI scan order. These are discussed in the next sections.

Server Boot Sequence

The server boot sequence is as follows:

1. If a bootable CD-ROM drive is enabled and a bootable CD-ROM is put in this drive, the server ignores all other settings and boots from the CD-ROM.
2. If a CD-ROM is not present, the operating system can boot from either drive A or C depending on how an option in the SCU has been set. This option determines which drive is selected first as the boot device.

One option is A: then C: (default). In this case, the server first selects drive A to boot the operating system. If a diskette is not inserted in drive A, the server then selects drive C: to boot the operating system.

If the setting is C: then A:, then drive C: is selected as the boot drive first. If a bootable operating system is not found, then drive A: is selected.

Drive C can be attached to the embedded SCSI controller, an EISA expansion board, or a PCI expansion board.

The location of drive C is determined by the server scan sequence described next.

Server Scan Sequence

If the boot device is neither the CD-ROM drive or the diskette drive, then the operating system will be found on drive C. The location of drive C can be determined as follows:

1. The search for a bootable device is started from a low ROM address to a high ROM address (starting at C8000h). The boot device with the lower address gets higher priority to be assigned as drive C then those with higher addresses.
2. The EISA bus is scanned first. If an EISA expansion board is configured to occupy the C8000h address, then it becomes the boot device.
3. The PCI bus is scanned next. If the embedded PCI SCSI controller is enabled using the SCU, then it is the boot device. If "PCI slots" is the selected SCU option, then the boot device is determined by the PCI scan sequence:
 - a. PCI slots are scanned in ascending order starting with slot 0.
 - b. For each bus, the scanning sequence is also in ascending order starting from device 0 to device 1Fh.

For each device found, the server scans to see if there are any additional PCI busses on that controller. As PCI busses are detected, they are assigned the next available PCI bus number in sequence. Controllers such as the Adaptec 2940W and the Mylex RAID controllers (1, 2, or 3 channel) have no additional PCI busses onboard. They would represent a single device on PCI bus 0 if installed in PCI slots 1 - 3. Delete rest of paragraph.

The slot priorities are summarized as:

Priority	Slot #
1	Slot 1 (Bus 0, Device 08h)
2	Slot 2 (Bus 0, Device 09h)
3	Slot 3 (Bus 0, Device 0Ah)
4	Embedded SCSI controller (0Ch)

Scan Order Depending on SCU Boot Sequence Preference

Here are the scan priorities for the three SCU boot sequence preferences:

1. PCI Slots $\frac{3}{4}$ If “PCI Slots” is selected, slots 1 - 3 are scanned first, then the embedded SCSI controller is scanned.
2. Embedded SCSI controller $\frac{3}{4}$ If the embedded SCSI controller is selected, it is scanned first, then PCI slots 1 - 3 are scanned.

Boot Device Assignment Example

In the following example, the assumption is that “PCI Slots” is the selected boot sequence preference in the SCU.

EISA/PCI Scan Order Example

PCI Slot 1	PCI SCSI controller, such as a 2940W Drive at SCSI ID 0
EISA Slot 4	EISA RAID host adapter, such as a Mylex RAID 3 channel Drive on Channel 1 SCSI ID 0 Drive on Channel 2 SCSI ID 4 Drive on Channel 3 SCSI ID 2

Assume for this example that the Mylex RAID host adapter ROM address is defaulted to CC000h. Assume also that we have used the RAID configuration utility to create a server logical drive 0. Given this example, the Mylex RAID host adapter on the EISA bus would be scanned first, with a ROM address of CC000h. The 2940W Adaptec controller on the PCI bus would be scanned next. The 2940W requires 32 KB for initialization (even though it only occupies 10 KB after optimization). As there is only 16KB ROM address space between C8000h and CC000h, the 2940W would be assigned the next 32KB block of ROM address space starting at D0000h. The server logical drive 0 on the Mylex RAID host adapter would be the boot device.

To boot from a bootable drive on the 2940W, the SCU would have to be run to change the address of the Mylex RAID host adapter to a higher address, such as D0000h, and during POST, the BIOS will scan the PCI bus and assign C8000h to the 2940W, and that drive would become the boot device.

Identifying PCI Devices in the SCU

The SCU automatically scans for PCI devices and assigns resources to them. PCI devices appear in the SCU as either assigned to a slot, or as embedded devices.

If a PCI expansion board uses one or more interrupts, but none of the interrupts are shared, then the SCU will contain an entry for each interrupt used by that PCI expansion board. As an example, assume a 2-channel SCSI controller has a PCI-to-PCI bridge chip with two devices behind it, each requiring an interrupt. If the expansion board were installed in PCI Slot 1, the entry in the SCU might look similar to this:

- PCI 1 PCI SCSI Controller IRQ15
- PCI 1 PCI SCSI Controller IRQ14

If a PCI expansion board uses one or more interrupts, but the interrupts are shared, then the SCU will display an entry for an interrupt in that slot, and the remaining devices that share that interrupt will be shown as “embedded” devices. Consider a controller that has a PCI-to-PCI bridge chip with three devices sharing one interrupt and the fourth device using a second interrupt. If this expansion board were installed in PCI Slot 2, the entry in the SCU might look similar to this:

- PCI 2 PCI SCSI Controller IRQ10
- PCI 2 PCI Memory Controller IRQ2(9)
- Embedded PCI SCSI Controller

In this case, the two interrupts are shown, with devices sharing the interrupt shown as embedded devices.

Onboard devices always appear as embedded devices. The onboard VGA controller, as an example, would appear as:

- Embedded VGA

Installing Expansion Boards

When the number of PCI devices exceeds 10, any additional devices will appear as embedded devices, even if they require an IRQ assigned to them. The embedded devices are listed in the order in which they were detected. To associate embedded devices with particular PCI expansion boards, you must know the number of devices (excluding PCI-to-PCI bridges, which are not listed in the SCU) on each PCI expansion board. If there are many embedded devices, start matching the PCI expansion boards in the highest slot number with the embedded devices at the bottom of the list (above the embedded VGA device). As an example, assume that a server has two controllers installed, one in PCI Slot 1 and the other in PCI Slot 2. The SCU might show the following:

- PCI 1 PCI SCSI Controller IRQ15
- PCI 1 PCI Memory Controller IRQ14
- PCI 2 PCI SCSI Controller IRQ10
- PCI 2 PCI Memory Controller IRQ2(9)
- Embedded PCI SCSI Controller
- Embedded PCI SCSI Controller
- Embedded PCI SCSI Controller (7880)
- Embedded PCI Ethernet Controller
- Embedded PCI VGA

In this case, the first two embedded references are devices on the controller in PCI slot 1, the next two are associated with the controller in PCI slot 2, and the final reference is for the onboard controller.

Advanced Menu in the SCU

The Advanced menu in the SCU allows you to lock/unlock resources and view system resource assignments. To enter this menu, run the SCU and select View or edit details (Step 3). Press F7 for the Advanced menu. A description of each of the options in the Advanced menu follows.

Locking of Resources

The SCU allows you to lock resources for any EISA/PCI expansion board installed in the server. This allows you to assign resources to that expansion board (such as IRQ), and then to keep those resources assigned to that expansion board even if the SCU is rerun. This is most frequently used to prevent the ROM address on the bootable controller from being reassigned in the event that new expansion boards are added to the server.

Enter the Advanced menu in the SCU.

The first item in this list is Lock/unlock boards. Press Enter to select. The list of integrated and installed options is shown. Move to the option whose resources you want to lock and press Enter. An exclamation point (!) appears to the left of that option indicating that the resources associated with that option have been fixed and will not change when the SCU is run. To unlock the resource, press Enter again, and the exclamation point disappears. Press F10 to complete this operation.

View Additional System Information

The SCU provides information to the user regarding resource assignments and availability. Information on installed expansion boards, assigned and available resources can also be viewed.

Enter the Advanced menu in the SCU.

Select View additional system information menu. Select Board specifications to view slot allocations. Select System specifications to view detailed information for each EISA/PCI device including board ID, length, etc. Select Used resources to view IRQ, I/O Port, and memory assignments. Select Available resources to view unassigned IRQs, DMAs, I/O ports, and memory addresses.

Set Verification Mode Menu

The SCU allows you to select whether you would like to be automatically notified of changes in your server's configuration, or whether you would like to verify the configuration manually.

Enter the Advanced menu in the SCU.

Select Set verification mode menu. Choose Automatic to enable the server to verify the configuration routinely when the SCU is invoked, or select Manual to enable verification of the configuration using the Verify option in the Step 3 screen.

Maintain SCI File Menu

You can save the system configuration information to a file.

Enter the Advance menu in the SCU.

Select Maintain SCU files menu. Select Open... to display information from a previously created .SCI file. The current configuration information will be lost. Select Save as... to save the current configuration information to a file.

Installing Expansion Boards

The following sections describe how to install ISA, EISA, and PCI expansion boards. Detailed procedures on running the SCU before installing ISA expansion boards and after installing EISA and PCI expansion boards are also included.

Adding ISA Expansion Boards

Perform the following steps before installing ISA expansion boards:

1. Start the SCU using one of the three methods described in Chapter 2, "Starting the SCU."
2. Select step 2 from the Configure Computer menu: Adding and Removing Boards," and update the list of expansion boards and options to include any ISA expansion boards you are going to install in your server.
3. Select "Step 4: Examine Switches or Print Report," to check the required switch and jumper settings of the ISA expansion boards.
4. Select "Step 5: Save and Exit," to save your configuration and exit the SCU.
5. Turn off your server and install the ISA expansion boards, manually setting the necessary switches and jumpers.

Refer to "Installing ISA Expansion Boards."

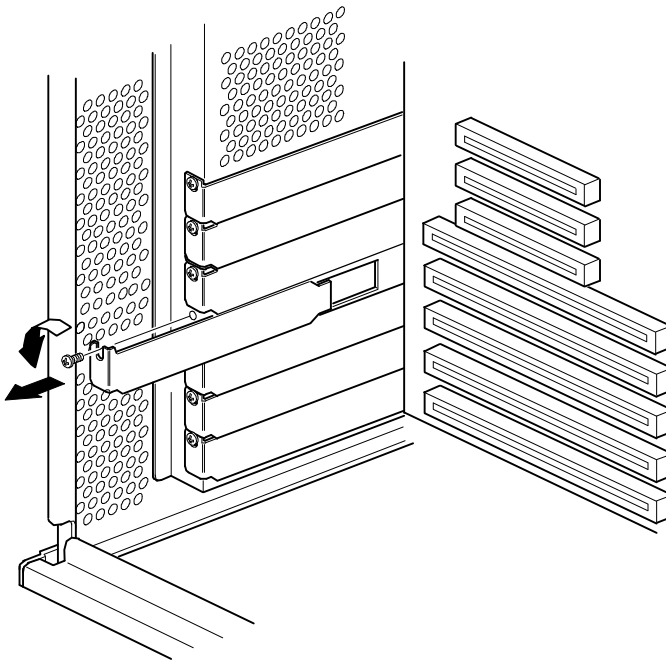
Installing ISA Expansion Boards

To install an ISA expansion board:



NOTE: Read and fully understand your optional expansion board's documentation before installing the expansion board.

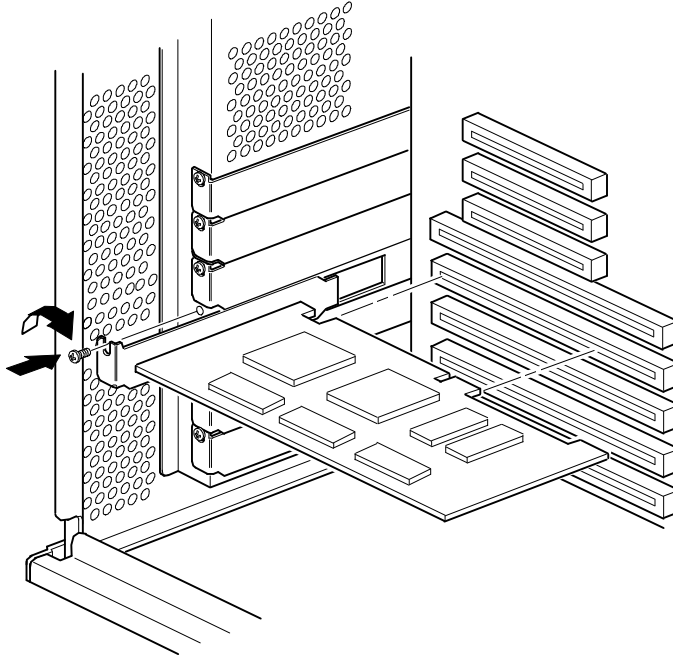
1. Run the SCU.
2. Turn off your server.
3. Disconnect the external devices, ac power, and monitor power.
4. Unlock and open the front bezel, loosen the two thumbscrews, and then remove the side panel.
5. Unscrew and remove the metal filler plate from the selected ISA expansion slot.



DEC01060-2

Figure 8-2. Removing a Metal Filler Plate

6. Insert the new ISA expansion board into the socket and push it firmly into place.



DEC01060-3

Figure 8-3. Installing an ISA Expansion Board

7. Secure the ISA expansion board to the slot with the screw removed in step 5.
8. Replace the side panel, secure the two thumbscrews, and then close and lock the front bezel.
9. Connect all external devices and restore power.

Installing EISA Expansion Boards

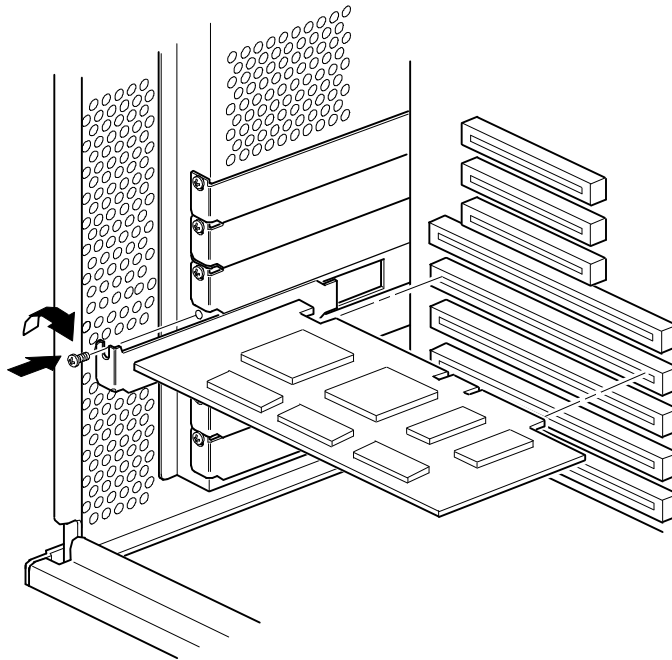
To install an EISA expansion board:



NOTE: Read and fully understand your optional expansion board's documentation before installing the expansion board.

1. Turn off your server.
2. Disconnect all external devices, ac power, and monitor power.
3. Unlock and open the front bezel, loosen the two thumbscrews, and then remove the side panel.
4. Unscrew and remove the metal filler plate from the selected EISA expansion slot (see Figure 8-3).
5. Insert the new EISA expansion board into the socket and push it firmly into place.
6. Secure the EISA expansion board to the slot with the screw removed in step 4.
7. Replace the side panel, secure the two thumbscrews, and then close and lock the front bezel.
8. Connect all external devices and restore power.
9. Run the SCU.

Refer to "Adding EISA Expansion Boards" for detailed information on running the SCU.



DEC01060-4

Figure 8-4. Installing an EISA Expansion Board

Adding EISA Expansion Boards

Perform the following steps after installing EISA expansion boards:

1. Start the SCU using one of the three methods described in Chapter 2, "Starting the SCU."

After your server boots, the following message appears:

EISA Configuration Error - Run Configuration Utility

This indicates that the EISA configuration changed since the last time the configuration was saved.

Installing Expansion Boards

2. Press [Enter] to display the SCU main menu and then [Enter] again to continue.

The SCU requests that you load all appropriate .CFG files for the newly installed EISA expansion boards. Afterwards, the SCU displays the Configure Computer menu.

3. From the Configure Your Computer menu, select “Step 3: View or Edit Details,” to verify that all EISA expansion boards were installed and configured correctly.



NOTE: An EISA expansion board might require an IRQ to be set. If so, select that board and choose an IRQ from the list provided. This list displays IRQs that are either not assigned or can be re-assigned. If you select an IRQ that conflicts with another expansion board in your server, a menu appears informing you of the expansion board that is in conflict, its current settings, and the settings that will change if you choose to set that IRQ.

4. Select “Step 5: Save and Exit,” to save your configuration and exit the SCU.

Installing PCI Expansion Boards

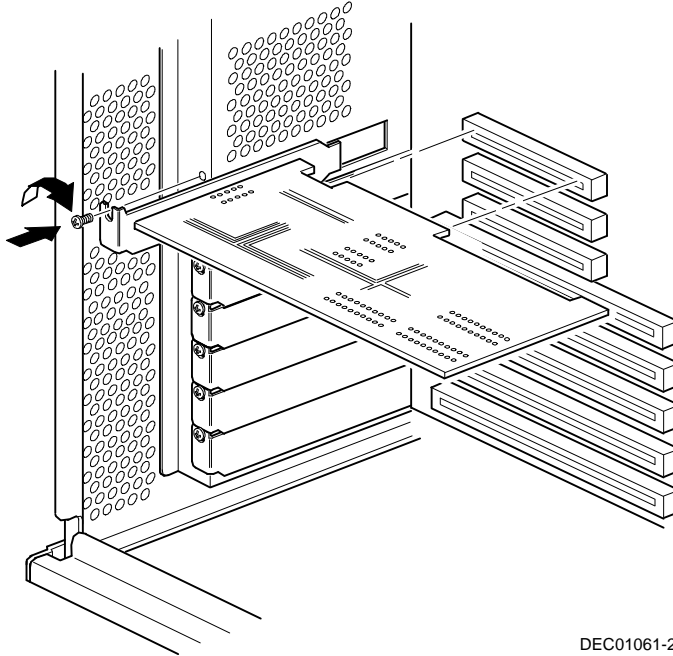
To install a PCI expansion board:



NOTE: Read and fully understand your optional expansion board's documentation before installing the expansion board.

1. Turn off your server.
2. Disconnect all external devices, ac power, and monitor power.
3. Unlock and open the front bezel, loosen the two thumbscrews, and then remove the side panel.
4. Unscrew and remove the metal filler plate from the selected PCI expansion slot.

5. Insert the new PCI expansion board into the socket and push it firmly into place.



DEC01061-2

Figure 8-5. Installing a PCI Expansion Board

6. Secure the PCI expansion board to slot with the screw removed in step 4.
7. Replace the side panel, secure the two thumbscrews, and then close and lock the front bezel.
8. Connect all external devices and restore power.
9. Run the SCU.

Refer to “Adding PCI Expansion Boards” for detailed information on running the SCU.

Adding PCI Expansion Boards



CAUTION: Before installing a PCI video expansion board, make sure the appropriate PCI slot options group is enabled. Failure to do so might cause your server to operate incorrectly.

Perform the following steps after installing PCI expansion boards:

1. Start the SCU using one of the three methods described in Chapter 2, “Starting the SCU.”
2. Press [Enter] to display the SCU welcome screen and then [Enter] again to continue.
3. From the Configure Computer menu, select “Step 3: View or Edit Details”.
4. The SCU automatically scans for PCI devices and will assign resources to them. Verify that the resources assigned (e.g., IRQ’s) are supported by the PCI device under the operating system you are loading onto your server.

Refer to the documentation that shipped with your PCI device.

Press [F6] to display the IRQ currently assigned and + or - to scroll through the remaining un-assigned IRQs to select the one you want.



NOTE: You can view IRQ and DMA assignments at any time while you are running the SCU by pressing [F7]. The “View Additional System Information” screen displays. Select either Used Resources or Available Resources from this screen.

Your server’s BIOS will automatically disable the onboard video controller when a video expansion board is installed. Connect the video cable to the video expansion board and the server will boot normally.

5. Select “Step 5: Save and Exit,” to save your configuration and exit the SCU.

Relocating Expansion Boards

Perform the following steps **before** relocating an ISA expansion board and **after** relocating an EISA or PCI expansion board.

1. Start the SCU using one of the three methods described in Chapter 2, "Starting the SCU."
2. Press [Enter] to display the SCU main menu and then [Enter] again to continue.
3. Select step 2 from the Configure Computer menu: Adding and Removing Boards."
4. Highlight the expansion board you want to relocate, press [Enter], and then follow the instructions displayed on your monitor screen.
5. Select "Step 5: Save and Exit," to save your configuration and exit the SCU.

If there are no resource conflicts, the new configuration information is saved to the .SCI file. If there is a conflict, you must resolve it before you can complete your server's configuration.



NOTE: If you run the SCU from the ServerWORKS Quick Launch CD-ROM disk, the .SCI file is not saved. To save the .SCI file, you need to rerun the SCU from either your hard disk drive or from the SCU diskette you created.

Connecting SCSI and RAID Adapters



Introduction

This chapter contains the configuration guidelines that must be followed when connecting SCSI or RAID adapters to optional disk, CD-ROM drives, and tape drives.

SCSI Configuration Guidelines

- Fast and wide SCSI supports up to 16 devices per channel.
- Select the disk drives in the SBB bays for hot-swap support in a RAID server.
- Do not connect wide SCSI devices to the narrow SCSI bus.
- Run the SCSI and/or RAID configuration utility to change controller settings to fit your specific configuration.

Refer to Chapter 7 for additional SCSI configuration guidelines.

RAID Configuration Guidelines

- Fault management must be supported and enabled by the controller for disk drive hot swapping.
- When adding a RAID host adapter to a server that does not have RAID installed, use the RAID software to configure your server for RAID operation.
- Select the disk drives in the SBB bays for hot-swap support in a RAID server.
- Use the same capacity disk drives in a RAID group, otherwise the difference in disk drive capacity will be lost.
- The maximum number of logical disk drives in a RAID group is eight.
- To maximize the I/O performance of your multi-channel RAID subsystem, connect each disk drive in a RAID group on a separate SCSI channel. This enables the RAID host adapter concurrent access to all disk drives.
- Supported RAID levels include: 0, 1, 0+1, 5, and RAID 7 (JBOD).

RAID	Description	Drives Per RAID Group (1 Channel)	Drives Per RAID Group (3 Channel)
0	Striping - no redundancy	2 - 7	2 - 8
1	Mirroring	2	2
0 + 1	Striping and mirroring	3 - 7	3 - 8
5	Striping with parity	3 - 7	3 - 8
7	Single disk - no redundancy (factory default)	1 (minimum to maximum)	1 (minimum to maximum)

Note: Each RAID server comes configured as RAID 7 or JBOD (Just a Bunch of Disks)

SCSI Controller Cable Configurations

The following sections describe the available SCSI controller cable configurations for your Prioris MX 6200 server..

Wide and Narrow SCSI Cable Configuration

To connect SCSI devices using wide or narrow SCSI cables, perform the following:

1. Power down the server.
2. Disconnect all peripheral devices from the server.
3. Unlock and open the front bezel, loosen the two thumbscrews, and then remove the side panel.
4. Connect the cables as shown in Figure 9-1.

Use the nylon cable clamps and other features to dress the cables properly. Do not block the air flow from the fan.

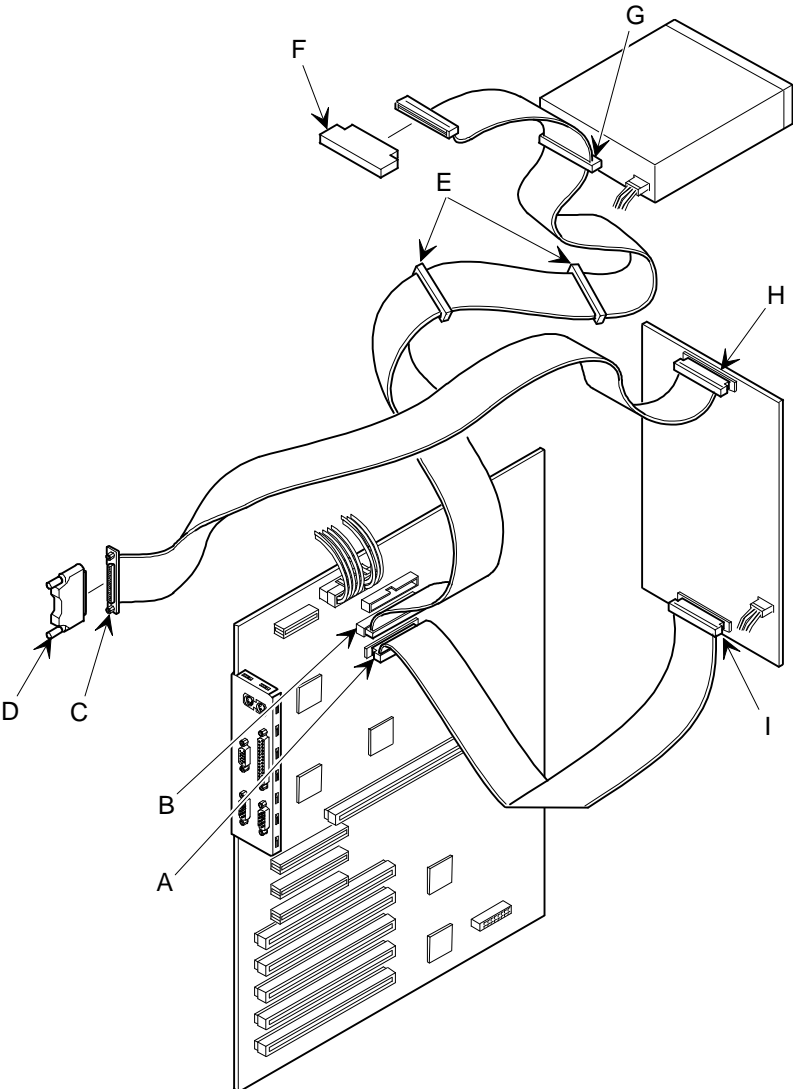
5. Replace the side panel, secure the two thumbscrews, and then close and lock the front bezel.
6. Connect all external devices and then power on your server.
7. Run the SCU and/or RAID utilities to configure your server.

Refer to Chapter 2, "Server Software and Utilities," and to your SCSI and RAID documentation for additional configuration information.

Server Security Features

Figure 9-1 Legend	Component
A	Wide SCSI 68-pin connector to main logic board
B	Narrow SCSI connector to main logic board
C	External wide SCSI connector cable assembly
D	External wide SCSI terminator ⁽¹⁾
E	Narrow SCSI 50-pin connectors to top front drive bay
F	Narrow SCSI 50-pin terminator
G	Narrow SCSI 50-pin connector to CD-ROM drive
H	Wide SCSI connector to SBB backplane
I	Wide SCSI 68-pin connector to SBB backplane

⁽¹⁾ Terminator (D) is installed at item H when no external wide cable assembly is installed.



DEC01062-2

Figure 9-1. Wide and Narrow SCSI Cable Configurations

Single Channel RAID Configuration

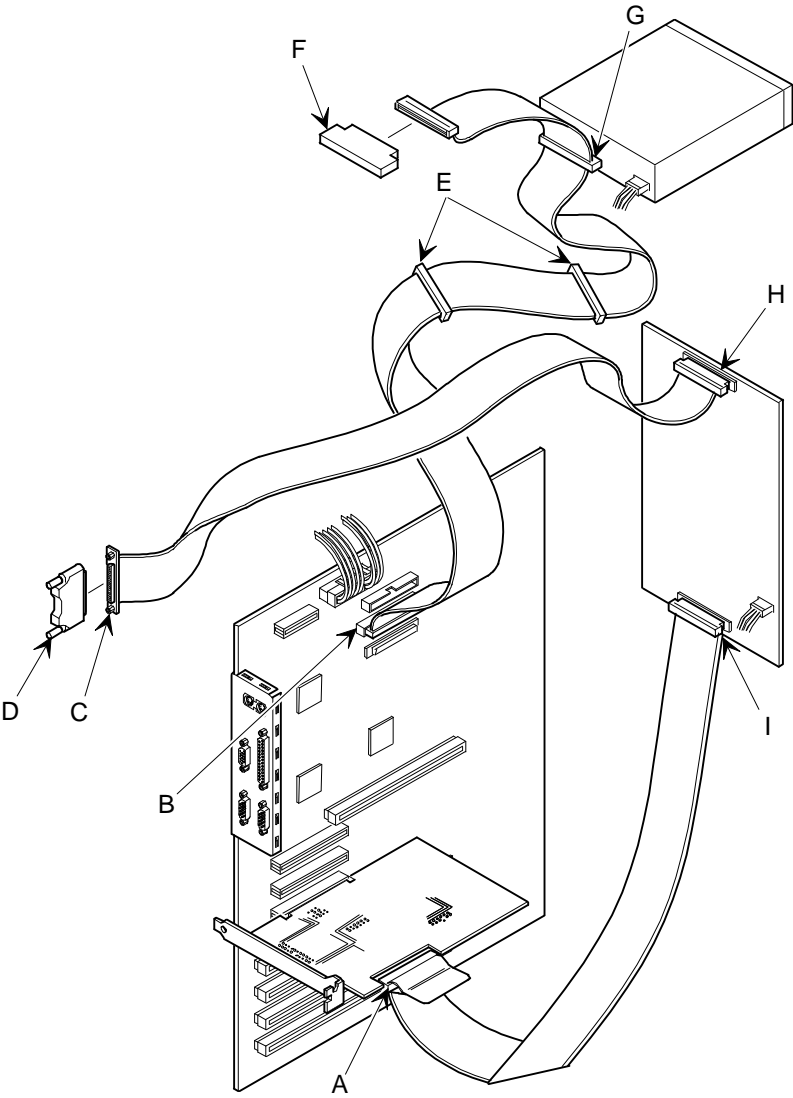
To connect SCSI devices using a single channel RAID configuration, perform the following:

1. Power down the server.
2. Disconnect all peripheral devices from the server.
3. Unlock and open the front bezel, loosen the two thumbscrews, and then remove the side panel.
4. Connect the cables as shown in Figure 9-2.
Use the nylon cable clamps and other features to dress the cables properly. Do not block the air flow from the fan.
5. Replace the side panel, secure the two thumbscrews, and then close and lock the front bezel.
6. Connect all external devices and then power on your server.
7. Run the SCU and/or RAID utilities to configure your server.

Refer to Chapter 2, "Server Software and Utilities," and to your SCSI and RAID documentation for additional configuration information.

Figure 9-2 Legend	Component
A	Channel 1 RAID controller connector
B	Narrow SCSI 50-pin connector to main logic board
C	External wide SCSI cable assembly
D	External wide SCSI terminator ⁽¹⁾
E	Narrow SCSI 50-pin connectors to top drive bay
F	Narrow SCSI 50-pin terminator
G	Narrow SCSI 50-pin connector to CD-ROM drive
H	Wide SCSI connector to SBB backplane
I	Wide SCSI 68-pin connector to SBB backplane

⁽¹⁾ Terminator (D) is installed at item H when no external wide cable assembly is installed.



DEC01067-2

Figure 9-2. Single Channel RAID Configuration

Server Security Features *10*

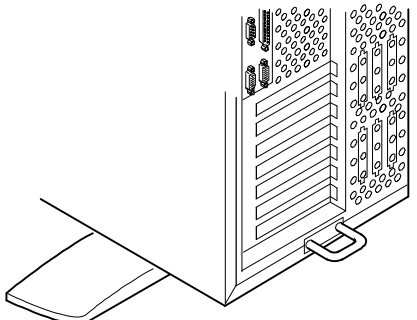
Introduction

Server security is important to prevent theft or accidental loss of software and hardware. The Prioris MX 6200 server provides the following levels of protection:

- Hold-down bar at the rear of the chassis
- Front-access security door and front bezel lock.
- Supervisor password
- Additional security features

Hold-Down Bar

At the rear of the chassis on the bottom is a rectangular hold-down bar that pulls out. You can use this bar to secure the server to the floor or to a desk using a locking cable.



DEC01106

Figure 10-1. Hold-Down Bar

Front-Access Security Door and Front Bezel Lock

Your server has a three-way keylock used to prevent unauthorized access to the front-access security door and front bezel. To open the front-access security door, insert the key into the keylock at the top position, depress and turn the key clockwise to the first unlock position (45°). To open the front bezel, continue to turn the key clockwise to the second unlock position (90°).



CAUTION: Be careful not to lose your server keys. Write the key number in your manual and keep the key in a secure place. Losing these keys prevents you from removing the side panel, opening the front-access security door, and opening the front bezel. Contact your authorized service provider or authorized dealer for information on replacing lost keys.

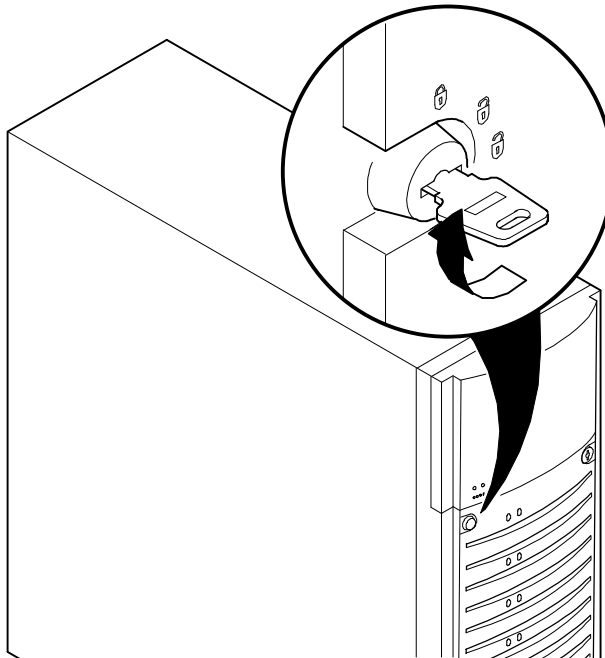


Figure 10-2. Front-Access Security Door and Front Bezel Lock

Supervisor Password

Your server has a password level that you can set to prevent unauthorized access to your server files. If you set a supervisor password, you will be prompted to enter it prior to accessing the SCU. If "Password On Boot" is enabled, you will be prompted to enter a password before your operating system boots.

Perform the following steps to set a supervisor password:

1. Turn on your server and allow the POST to complete.

If POST detects an error refer to Chapter 4, "Server Management," and take the appropriate steps to correct the problem. After the problem has been resolved, restart the server.
2. Either start the SCU from the MS-DOS partition or insert the SCU diskette into drive A and soft boot (reset) your server.
3. Press [Enter] to display the Main menu, select the Configure Computer option, then select the View and edit details option.
4. Highlight the Security Options Group and then press [Enter].
5. Highlight the Supervisor Password field and then press [Enter].
6. Select Installed.
7. Type in a supervisor password and then press [Enter].

To confirm, type in your supervisor password a second time and then press [Enter].

8. Highlight the Password On Boot field and select Enabled if desired.
9. Exit the SCU and reboot your server so changes immediately take effect.

Your computer runs the POST and then prompts you for the supervisor password you set.

If You Forget Your Password

Use the following procedure to erase a password from your server.

1. Turn off your server and remove the left side panel.
2. Change switch SW1-4 to ON (password clear position).

Refer to Appendix A, "Technical Specifications," Main Logic Board Switch Settings, and Figure A-1 for additional information.

3. Reconnect your server and turn it on.

Booting your server with this switch in the down position erases the existing password(s).

4. Turn off your server.
5. Change switch SW1-4 to OFF (normal mode position).
6. Replace the left side panel
7. Reconnect your server and turn it on.
8. Using the SCU, assign a new password.

Refer to Appendix C, "SCU Features," for more information.

Additional Security Features

Additional server security features are available as options in the SCU and through main logic board switch settings.

The SCU includes the following setup options to improve server security:

- **Diskette Access** $\frac{3}{4}$ Setting this option to either Supervisor or User controls who has access to any installed diskette drive.
- **Network Server** $\frac{3}{4}$ Setting this option to Enabled will allow the server to boot without a keyboard connected to the server.
- **Fixed Disk Boot Sector** $\frac{3}{4}$ Setting this option to Write Protected prevents writing to the hard disk drive boot sector.

Troubleshooting **11**

Introduction

This chapter provides initial troubleshooting procedures. The tables that follow list specific problems, probable causes, and recommended actions to take if your server fails. Tables include:

- Server Troubleshooting
- Disk Drive Troubleshooting
- SBB Troubleshooting
- Tape Drive Troubleshooting
- Monitor Troubleshooting
- CD-ROM Troubleshooting
- Diskette Drive Troubleshooting
- RAID Troubleshooting

Refer to Chapter 4, "Server Management," for a list of messages that might display.

Refer to the documentation supplied with additional options if you are experiencing problems with specific options that you have installed.

Initial Troubleshooting

Follow these general procedures to troubleshoot your Prioris MX 6200 server.

- Record all configuration information and have it readily available.
- Turn off your server, wait until all hard disk drives completely spin down, and then turn it back on.
- Refer to Chapter 4, “Server Management,” if the POST detects an error.
- Ensure that all cables and connections are secure.
- Make sure all necessary video, printer, and application device drivers are properly installed.
- Try not to troubleshoot more than one problem at a time.
- Try to duplicate the problem.
- Run the diagnostic software. Refer to the next section “Running the Diagnostics.”
- Run the SCU.

Refer to Chapter 2, “Server Software and Utilities,” to ensure the server is correctly configured for all installed hardware and software.

- Run SCSISelect if you have problems after connecting a SCSI device.

Refer to Chapter 2, “Server Software and Utilities,” for additional information.

- Contact Digital Services for software or hardware related problems.



NOTE: If you need to return a failed component, pack it in its original container and return it to Digital for service.

If you are a self-maintenance customer, call your authorized service provider for assistance and recommendations. Refer to the “Service Area” on the server CD-ROM for the phone numbers in your area.

Running the Diagnostics

The Prioris MX 6200 server comes with an advanced set of diagnostic utilities that are used to identify and correct problems that are encountered when configuring or troubleshooting the server.

The diagnostics are available from:

- The Utilities folder on the ServerWORKS Quick Launch CD-ROM. Use Quick Launch to create a bootable diagnostics disk. To run the diagnostics, insert the diskette and reboot the server.
- The server's MS-DOS partition (if the partition was created during the Quick Launch installation process). To run the diagnostics from the MS-DOS partition, enter:

```
c:\diag\diagnose.bat
```

The server reboots, at the boot to selection, select MS-DOS.

Once the diagnostics are started, the main screen appears.

A menu option is selected by using the up and down arrow keys to move to the item and to highlight it and then pressing [Enter]. Pressing the right and left arrow key displays a different menu.

For additional information on running the diagnostics, refer to the on-line manual which is located on Quick Launch under the "Documentation" button.

Diagnostics Utility Keys

Key	Description
<Esc>	Either exits the diagnostics (if a test are not running) or halts the current test (if a test is running)
<Alt> <H>	Displays/hides the destructive tests on the hard disk drive, diskette drive, and SCSI test menus
<Enter>	Run the highlighted diagnostics test
<F1>	Displays help screens
<F2>	Edit batch parameters
<F3>	Load batch parameters
<F4>	Save batch parameters
<F5>	Select or deselect the current test
<F6>	Select or deselect the tests on a specific diagnostics menu
<F7>	Select or deselect all diagnostics tests
<F10>	Run the selected test or tests

Server Troubleshooting

Problem	Possible Cause	Action
No response when the server is turned on.	Server is not plugged in.	Turn off the server, plug it in, and then turn it back on again.
	No power at the wall outlet.	Use another wall outlet.
	Main logic board failed.	Contact your authorized service provider.
	Main logic board switches incorrectly set.	Set all appropriate switches.
	CPU module has failed.	Reseat the CPU module.
	CPU module switches incorrectly set.	Make sure all switches are correctly set.
	Power supply failed.	Contact your authorized service provider.

continued

Troubleshooting

Problem	Possible Cause	Action
Power is on, but there is no screen display.	Brightness and contrast controls are not correctly set.	Adjust the brightness and contrast controls.
	Monitor is off.	Turn on the monitor.
	Monitor cable is incorrectly installed.	Check all monitor connections.
	Incorrect video drivers installed.	Install the correct video drivers.
	Video controller has failed.	Contact your authorized service provider.
Server does not boot from CD-ROM drive.	Monitor has failed.	Replace monitor or contact your authorized service provider.
	CD-ROM drive is not connected to the Adaptec controller.	Connect the CD-ROM to the Adaptec controller. Refer to Chapter 9.
	CD-ROM drive not configured as a bootable device.	Change the CD-ROM setting to "bootable" using <i>SCSISelect</i> .
Server operates incorrectly after installing a CPU module.	CD-ROM disk is not bootable.	Contact your Digital representative for the latest BIOS.
	CPU module installed incorrectly.	Reinstall CPU module.
	SCU indicates an error after installing a CPU module.	Remove CPU module and reboot. If server boots without errors, replace CPU module.

continued

Problem	Possible Cause	Action
Server operates incorrectly after installing optional expansion board.	Expansion board installed incorrectly.	Remove expansion board and reinstall.
	Did not run SCU to configure expansion board after installation.	Run the SCU to properly configure expansion board. Refer to Chapter 8.
	Did not install CFG file for expansion board.	Run SCU and add CFG file (if necessary).
	Expansion board has failed.	Remove expansion board and reboot. If server boots without errors, replace expansion board.
Server operates incorrectly after installing optional memory (SIMMs).	Memory configured incorrectly.	Check that the memory configuration is according to the memory guidelines explained Chapter 6, "Installing Additional Memory."
	SIMMs installed incorrectly.	Remove SIMMs and reinstall.
	SIMMs have failed.	Replace SIMMs.
	CPU module installed incorrectly.	Reinstall CPU module.
	CPU module failed.	Replace CPU module.

continued

Troubleshooting

Problem	Possible Cause	Action
No response to keyboard commands.	Keyboard might be password protected by a local or remote control program.	Enter the keyboard password.
	Keyboard is not connected	Power down the server and connect the keyboard.
	Keyboard is connected to the mouse port.	Power down the server and connect the keyboard to the keyboard port.
	Keyboard failed.	Replace keyboard or contact your authorized service provider.
No response to mouse commands.	Mouse might be password protected by a local or remote control program.	Enter the keyboard and mouse password.
	Mouse is not connected.	Power down the server and connect the mouse.
	Mouse is connected to the keyboard port.	Power down the server and connect the mouse to the mouse port.
	Mouse driver not installed	Install the appropriate mouse driver.
	Mouse trackball dirty. Mouse failed.	Clean trackball. Replace mouse or contact your authorized service provider.
Server operates correctly but application software does not.	Application software installed incorrectly.	Refer to your application software documentation.
	Having external cache enabled causes conflict with application software.	Run the SCU and disable external cache. Refer to Chapter 3 and Appendix C.

Disk Drive Troubleshooting

Problem	Possible Cause	Action
Server does not recognize an internal SCSI device.	SCSI device jumpers incorrectly set.	Refer to the supplied kit installation instructions.
	SCSI ID conflicts.	Refer to the supplied kit installation instructions and to the storage backplane switch configuration in Chapter 7.
	Terminating resistors not removed from the SCSI device.	Remove terminating resistors. Refer to the supplied kit installation instructions.
	SCSI controller has failed.	Contact your authorized service provider.
	Loose SCSI cable.	Secure all cable connections.
	SCSI cable incorrectly installed between SCSI controller, SCSI device or backplane.	Refer to Chapter 9 for cabling information.
	SCSI device has failed.	Replace SCSI device.

continued

Troubleshooting

Problem	Possible Cause	Action
Server does not recognize an external SCSI device.	SCSI device jumpers incorrectly set.	Refer to the supplied kit installation instructions.
	SCSI ID conflicts.	Refer to the supplied kit installation instructions and to the storage backplane switch configuration in Chapter 7.
	Terminating resistors not removed from the SCSI device.	Remove terminating resistors. Refer to the supplied kit installation instructions.
	SCSI controller has failed.	Contact your authorized service provider.
	Loose SCSI cable.	Secure all cable connections.
	SCSI cable incorrectly installed between storage backplane and rear panel connector or external SCSI device and rear panel connector.	Refer to Chapter 9 for cabling information.
SCSI device has failed.	Replace SCSI device.	

continued

Problem	Possible Cause	Action
Server does not boot from an internal SCSI hard disk drive.	SCSI boot hard disk drive not formatted.	Format the SCSI hard disk drive. CAUTION: Formatting the SCSI hard disk drive will destroy all the data on the drive.
	SCSI device drivers not installed or incorrectly installed on SCSI boot hard disk drive.	Properly install all required SCSI device drivers. Refer to Chapter 2.
	Operating system software is not installed on the SCSI boot hard disk drive.	Install the appropriate operating system.
	Requested partition does not exist.	Partition the SCSI hard disk drive and then reload the operating software.
	SCSI boot hard disk drive at wrong SCSI address.	Set SCSI boot hard disk drive to lowest "primary" SCSI address.
SCSI hard disk drive cannot read or write information.	SCSI device has failed.	Replace SCSI device.
	Incorrect disk drive jumper settings.	Refer to the supplied kit installation instructions.
	Loose or incorrectly installed cables.	Make sure all cables are correctly installed.
SBB failure.	SCSI hard disk drive is not correctly formatted or partitioned.	Format and partition as required using the supplied operating system.
	Check SBB status LEDs for a drive failure indication.	Refer to Chapter 7 for additional information.

SBB Troubleshooting

Problem	Possible Cause	Action
SBB fault LED lit.	Disk drive failed.	Replace disk drive.
SBB activity and fault LEDs lit.	Disk drive hung or has failed.	Replace disk drive.
SBB fault LED flashing.	Disk drive failed and is spinning down.	Replace disk drive.
SBB fault status LED is either on or off; fault status LED flashing.	Disk drive is active and spinning down due to a fault.	Correct the fault or replace the disk drive.

Tape Drive Troubleshooting

Problem	Possible Cause	Action
Tape will not load.	Tape inserted incorrectly.	Insert the tape with the arrow on the cassette pointing towards the drive.
Cannot write data to a tape.	Tape write-protected.	Slide the write-protect tab on the cassette to the closed position.
Tape will not eject.	Tape jammed in drive.	Using a small screwdriver, rotate the motor shaft clockwise to bring threading mechanism to the initial loading position. If necessary, press the ratchet mechanism to tighten the tape before ejecting. Continue to turn the motor shaft clockwise until the tape can be lifted out of the drive mechanism and ejected from the drive.

Monitor Troubleshooting

Problem	Possible Cause	Action
Monitor power indicator is not on.	Monitor is turned off.	Turn on the monitor.
	Power cord is not connected.	Connect the power cord to the server.
	No power at wall outlet.	Use another outlet.
	Power indicator is defective.	Contact your authorized service provider.
No screen display.	Configuration error.	Run the SCU to configure the server for video operation.
	Monitor brightness and contrast controls are incorrectly set.	Adjust the monitor brightness and contrast controls.
	Monitor has failed.	Replace monitor, or contact your authorized service provider.
Distorted, rolling, or flickering screen display, or wrong/uneven color.	Monitor incorrectly adjusted.	Adjust accordingly.
	Monitor signal cable incorrectly installed.	Straighten any bent connector pins and then reconnect.
Color monitor displaying monochrome.	Server was turned on before the monitor was turned on.	Turn off the server, turn on the monitor, then turn the server back on.
Monitor fails to switch to high-resolution mode.	Appropriate high-resolution video drivers are not installed or incorrectly installed.	Correctly install all appropriate high-resolution video drivers. Refer to the documentation supplied with your monitor.

CD-ROM Troubleshooting

Problem	Possible Cause	Action
Cannot access the CD-ROM drive. Error message reading drive x.	Device drivers not installed.	Install correct device drivers.
	No disk in the CD-ROM drive.	Insert a disk.
	Incorrect SCSI ID assigned.	Make sure correct SCSI ID is assigned. Refer to Chapter 7.
Power is on but indicator shows no activity.	Tray open.	Close the tray.
	No disc or tray is open.	Insert a disk and close the tray.
Disk is spinning but drive is idle.	Check cable connections.	Make sure cables are correctly connected.
	Application software not running.	Run application software.

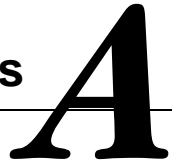
Diskette Drive Troubleshooting

Problem	Possible Cause	Action
Target diskette drive cannot read or write information.	Diskette is not formatted.	Format the diskette.
	Diskette is worn or damaged.	Try another diskette.
	Diskette is write-protected.	Slide the write-protect switch so the hole is not visible.
	Diskette drive is empty.	Insert a diskette.
	Diskette write protection enabled.	Run the SCU and set the Diskette Write Protection option to "Disabled."
Server does not boot from a target diskette drive.	Disabled in SCU.	Run the SCU and enable the diskette drive.
	Drive ID incorrectly set.	Make sure the drive ID is correctly set. Refer to the documentation that came with the diskette drive.
	Diskette drive not enabled.	Run the SCU and enable the diskette drive.
	Diskette boot option disabled.	Run the SCU and set boot option A then C.
	Diskette does not contain start-up files.	Insert a diskette with the correct start-up files.
	Diskette drive is empty.	Insert a diskette that contains an operating system.
	Diskette is worn or damaged.	Try another diskette.
Cannot write to target diskette drive.	Loose cables.	Secure all cable connections.
	Diskette drive write protected.	Run the SCU and disable the diskette write protection option.

RAID Troubleshooting

Problem	Possible Cause	Action
SBB fault LED lit.	Disk drive failed.	Replace disk drive.
SBB activity and fault LEDs lit.	Disk drive hung or has failed.	Replace disk drive.
SBB fault LED flashing.	Disk drive failed and is spinning down.	Replace disk drive.
SBB fault status is either on or off; fault status LED flashing.	Disk drive is active and spinning down due to a fault.	Correct the fault or replace the disk drive.
Replaced SBB drive does not spin up to speed.	SBB drive not seen by RAID host adapter.	Manually rebuild the SBB drive. Remove the SBB drive, wait 20 seconds, reinsert SBB drive. Wait one minute and then rebuild the SBB drive.
Multiple SBB drives have failed.	No power available.	Restore power, run the RAID configuration utility and change the state of any failed (FLD) SBB drive to optimal (OPT). Run the RAID configuration utility and check for bad blocks on the SBB drives. Repair any bad blocks.
SBB drive not seen by RAID host adapter.	SCSI cable not connected. Incorrect SCSI termination. Duplicate SCSI IDs on the bus. Defective SBB drive. SBB drive improperly inserted. Defective RAID host adapter SCSI channels.	Check all SCSI connections. Properly terminate the SCSI bus. Check SBB drive SCSI ID settings. Replace SBB drive. Reinsert SBB drive. Replace the RAID host adapter or contact your authorized service provider.

Technical Specifications



Introduction

This appendix provides the following technical characteristics for your server:

- Server specifications
- EISA expansion slots
- PCI expansion slots
- Power supply input power requirements
- Power supply output specifications
- Power cord requirements
- Main logic board switch settings
- CPU module switch settings
- Server fault status
- POST messages
- Server CPU voltage and temperature ranges

Server Specifications

The following sections list the server performance, dimensions and environmental specifications.

Performance Specifications

Attributes	Specification
Bus clock	
EISA	7.5/8.33 MHz
PCI	30/33 MHz
Data I/O	
EISA	8-bit, 16-bit, and 32-bit
PCI	32-bit
Memory DRAM	32 MB minimum 1 GB maximum Supports 36-bit, 60 ns EDO memory and Fast-Page memory
System flash ROM BIOS	128 KB
VGA flash ROM BIOS	128 KB

Server Dimensions

Dimension	Specification
Width	213,4 mm (8.4 in.)
Length (without bezel)	482,6 mm (19 in.)
Length (with bezel)	546,0 mm (21.5 in.)
Height (without pedestal)	615 mm (24.2 in.)
Weight (no expansion boards)	@25 kg (55 lb.)

Environmental Specifications

Attributes	Specification
Operating temperature	10°C to 35°C (50°F to 95°F)
Storage temperature	-20°C to 65°C (-4°F to 149°F)
Operating humidity (noncondensing)	20% to 80% relative humidity, maximum wet bulb 35°C (95°F)
Storage humidity (noncondensing)	10% to 90% relative humidity, maximum wet bulb 65°C (149°F)
Altitude	
Operating	2,438 m (8,000 ft) maximum
Nonoperating	4,876 m (16,000 ft) maximum
Shipping vibration	IAW Federal Standard 101, method 5019
Nonoperating shock	30 G, 25 ms halfsine

EISA Expansion Slots

The main logic board contains four dedicated EISA expansion slots and one shared EISA expansion slot. These slots support +5 V dc.

PCI Local Bus Expansion Slots

The main logic board contains two dedicated PCI local bus expansion slots and one shared PCI local bus expansion slot. These slots support:

- 5 V dc only PCI expansion boards
- 5/3.3 V dc universal PCI expansion boards
- Bus mastering

Power Supply Input Power Requirements

The 300 W power supply provides five dc voltages: +12 V dc, -12 V dc, +5 V dc, -5 V dc, and 3.3 V dc. These voltages are used by the various components within the server. The following lists the input power requirements.

Rated Voltage Range	Maximum Range	Rated Input Current	Operating Frequency Range
100 V ac - 120 V ac	100 V ac - 123 V ac	7 A	47 Hz - 63 Hz
220 V ac - 240 V ac	200 V ac - 240 V ac	3.5 A	47 Hz - 63 Hz

Power Supply Output Specifications

Your server family power supply provides the following output ratings:

- +5 V dc 2.0 A min, 40 A max.
- +3.3 V dc 0 A min, 30 A max.
- +12 V dc 0 A min, 12 A max.
- -12 V dc 0 A min, 0.5 A max.
- -5 V dc 0 A min, 0.3 A max.
- +5 VSB 0 A min, 0.1 A max.

Power Cord Requirements

The power cord used with this server must meet the following criteria:

- UL and CSA Certified cordage rated for use at 250 V ac with a current rating that is at least 125% of the current rating of the product. In Europe, the cordage must have the <HAR> mark.
- The ac plug is terminated in a grounding-type male plug designed for use in the region. It must also have marks showing certification by an agency acceptable in the region.
- The connector at the server end is an IEC type CEE-22 female connector.
- The maximum length is 4.5 meters (14.5 feet).

Environmental Features

This product has been designed with several features intended to reduce environmental impact in manufacturing, use, and end-of-life disposition.

Ozone Depleting Substances (ODS) This product and its shipping package do not contain, nor are they manufactured with, Class I ODS, as defined in Title VI, section 611 of the clean air act amendments of 1990.

Use of asbestos Digital Equipment Corporation does not use asbestos in any form in the manufacturing of its products.

Recycled paper in documentation User documentation is printed on paper with a post-consumer recycled content of between 10 and 60%.

Use of PVC in enclosure pieces Polyvinylchloride (PVC) is not used in plastic enclosure pieces.

Design for disassembly/re-cycling This product has been designed for ease of disassembly so that materials can be easily separated for recycling at the end of the product's useful life. One type of fastener is generally used to minimize tools required to disassemble. Plastic components have been marked with standard identification symbols to facilitate separation for recycling. Snap fit fastening techniques have been used, where possible, to reduce disassembly effort. Fastening of dissimilar materials can be disconnected, allowing materials to be separated for recycling.

Environmental packaging features The outer container on this product is made from unbleached, natural corrugated fiberboard which can be readily recycled in most areas. Protective cushioning pieces are made from expandable polypropylene which is more efficient than other foams and requires less material to provide equivalent protection, thereby reducing packaging waste. The cushioning pieces are marked with the Society of the Plastics Industry (SPI) material identification symbol for polypropylene to facilitate recycling.

Main Logic Board Switch and Jumper Settings

The following table lists the main logic board switch settings, jumper settings and factory-default settings. Figure A-1 shows the switch and jumper locations.



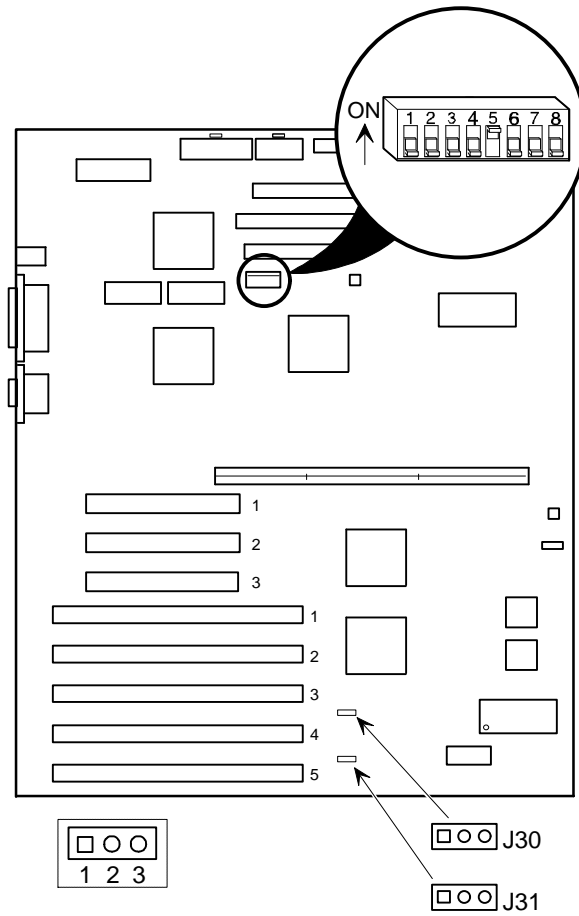
CAUTION: Do not touch any electronic component unless you are safely grounded. Wear a grounded wrist strap or touch an exposed metal part of the server chassis. A static discharge from your fingers can result in permanent damage to electronic components.

Technical Specifications

Feature	Function	Setting	Description
BIOS upgrade	Disabled ⁽¹⁾	SW1-1, off ⁽¹⁾	Your main logic board's flash BIOS upgrade switch must be set to the disabled (OFF) position to prevent unauthorized personnel from loading a new server BIOS. Loading a new server BIOS might allow someone to override other server security features or introduce a virus into your server.
	Enabled	SW1-1, on	
Recovery mode	Normal ⁽¹⁾	SW1-2, off ⁽¹⁾	If your BIOS upgrade failed, refer to the README.TXT file that came with the BIOS upgrade.
	Recovery mode	SW1-2, on	
Boot block update	Disabled ⁽¹⁾	SW1-3, off ⁽¹⁾	Set this switch to disabled (OFF) position to prevent unauthorized personnel from changing the BIOS boot block.
	Enabled	SW1-3, on	
Password clear	Normal mode ⁽¹⁾	SW1-4, off ⁽¹⁾	If you forget your password, set this switch to the password clear (ON) position and then restart your server. Refer to Chapter 9 for more information.
	Password clear (MFG test)	SW1-4, on	
RSM installed	Installed	SW1-5, off	If you add Digital's Remote Server Management (RSM) option to your server, you will need to connect the RSM reset cable to RSM connector and change the switch position to the installed (OFF) position.
	Not installed ⁽¹⁾	SW1-5, on ⁽¹⁾	
Clear NVRAM	Normal operation ⁽¹⁾	SW1-6, off ⁽¹⁾	Clears contents of NVRAM. Set only in the case when a configuration change using the SCU did not complete successfully (e.g. power failed while configuring), or a configuration was defined which no longer allows the server to boot. The BIOS settings will return to their default values, and the SCU will need to be run again to reconfigure the server.
	Clear	SW1-6, on	
Reserved	Reserved	SW1-7, off ⁽¹⁾	This switch should always be OFF.
Reserved	Reserved	SW1-8, off ⁽¹⁾	This switch should always be OFF.
EISA slot 4 master delay	Normal ⁽¹⁾	J30, pins 1 and 2 ⁽¹⁾	Determines is EISA master will delay one clock cycle or not in EISA slot 4.
	Delay one clock cycle	J30, pins 2 and 3	
EISA slot 5 master delay	Normal ⁽¹⁾	J31, pins 1 and 2 ⁽¹⁾	Determines is EISA master will delay one clock cycle or not in EISA slot 5.
	Delay one clock cycle	J31, pins 2 and 3	

(1) Factory default setting

ON = switch closed; OFF = switch open



DEC01052-6

Figure A-1. Main Logic Board Switch and Jumper Locations

CPU Module Switch and Jumper Settings

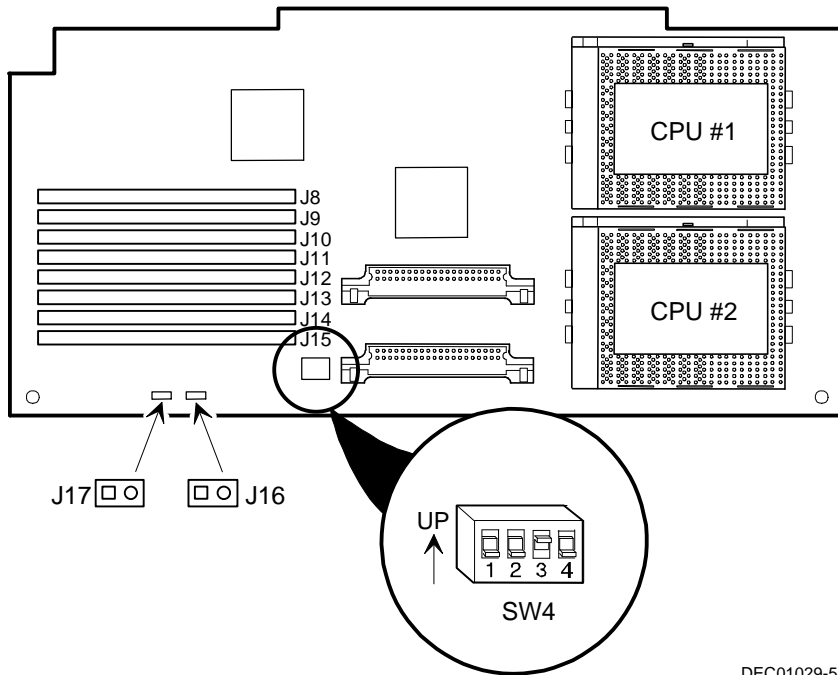
The following table lists the CPU module switch settings, jumper settings, and factory default settings. Figure A-2 shows the switch and jumper locations.



CAUTION: Do not touch any electronic component unless you are safely grounded. Wear a grounded wrist strap or touch an exposed metal part of the server chassis. A static discharge from your fingers can result in permanent damage to electronic components.

Feature	Setting	Description
Bus frequency	SW4-1, up	60 MHz
	SW4-1, down ⁽¹⁾	66 MHz
Bus/core frequency ratio	SW4-2, down	2x
	SW4-3, down	
	SW4-4, down	
	SW4-2, up	2.5x
	SW4-3, down	
	SW4-4, down	
	SW4-2, down ⁽¹⁾	3x
	SW4-3, up ⁽¹⁾	
SW4-4, down ⁽¹⁾		
SW4-2, up	3.5x	
SW4-3, up		
SW4-4, down		
SW4-2, down	4x	
SW4-3, down		
SW4-4, up		
Manufacturing test point	J16, not installed ⁽¹⁾	This jumper should not be installed.
Manufacturing test point	J17, not installed ⁽¹⁾	This jumper should not be installed.

(1) Factory default setting for 200 MHz CPU
DOWN = switch closed (ON); UP = switch open (OFF)



DEC01029-5

Figure A-2. CPU Module Switch and Jumper Locations

Server Fault Status

Description	Server Fault LED Indicators			
	LED4	LED3	LED2	LED1
No power, server ready, power ON default	Off	Off	Off	Off
Shutdown, fan fault	Off	Off	Off	On
Shutdown, over temperature	Off	Off	On	Off
Shutdown, voltage fault	Off	Off	On	On
Reserved	Off	On	Off	Off
Wait for system boot	Off	On	Off	On
Wait for CPU active	Off	On	On	Off
Reserved	Off	On	On	On
Bank 0 fault	On	Off	Off	Off
Bank 1 fault	On	Off	Off	On
Bank 2 fault	On	Off	On	Off
Bank 3 fault	On	Off	On	On
Reserved	On	On	Off	Off
Reserved	On	On	Off	On
Reserved	On	On	On	Off
Reserved	On	On	On	On

POST Messages

The following table lists the messages, both normal and error, that will display on the server's monitor during POST and any beeps that might sound when an error occurs.

POST/Boot Codes

POST Code Descriptions	Count Down Code ⁽¹⁾	Beep Codes
BIOS ROM checksum		1-2-2-3
Test 8742 keyboard controller		1-3-1-3
Auto size DRAM		1-3-3-1
RAM failure on address line(s)		1-3-4-1
RAM failure on data line(s)		1-3-4-3
RAM failure on data bits xxxx of high byte of memory bus		1-4-1-1
Shadow system ROM		1-4-3-1
Unexpected interrupts test	230	2-2-3-1
Shadow miscellaneous ROMs	220	
Test refresh 512K to 640K DRAM	210	
Extended memory test	200	
Set cache registers	190	
Cache configuration	180	
Real-time clock test	170	1-4-2-1
Keyboard test	160	
Initial hardware interrupt	150	
Co-processor test	140	
Serial ports test	130	
Parallel ports test	120	

⁽¹⁾ Count down codes are displayed on your server's monitor.

continued

POST Code Descriptions	Count Down Code⁽¹⁾	Beep Codes
Initiate onboard super I/O	110	
Mouse test	100	
Testing diskette drives	90	
Testing hard disk drives	80	
CPU search	50	
Searching the other CPUs		1-2
Option ROM checksum error	20	
Setting time of day	10	
Ready to boot		1

⁽¹⁾ Count down codes are displayed on your server's monitor.

Server CPU Voltage and Temperature Ranges

The following tables list the CPU and Voltage Regulator Module (VRM) operating voltage and temperature ranges.

CPU Voltage Range

Nominal	Tolerance	Normal Voltage Range	Server Error Occurs	Server Shutdown Occurs
+12	±10%	+10.8 to +13.2 V	<+9.0 V	>+13.8 V
+5	±5%	+4.75 to +5.25 V	<+4.3 V	>+5.80 V
+3.3	±1%	+3.0 to +3.6 V	<+3.0 V	>+3.81 V
-12	±10%	-13.2 to -10.8 V	>-9.0 V	<-13.8 V
Vcore				

VRM Voltage Range

VRM Voltage	Power Good Range	Lower Limit	Upper Limit
2.1 V	+1.95 to 2.25 V	<+1.89 V	>+2.31 V
2.2 V	+2.04 to 2.35 V	<+1.98 V	>+2.42 V
2.3 V	+2.14 to 2.46 V	<+2.07 V	>+2.53 V
2.4 V	+2.23 to 2.46 V	<+2.16 V	>+2.64 V
2.5 V	+2.32 to 2.68 V	<+2.25 V	>+2.75 V
2.6 V	+2.42 to 2.78 V	<+2.34 V	>+2.86 V
2.7 V	+2.51 to 2.89 V	<+2.43 V	>+2.97 V
2.8 V	+2.60 to 3.00 V	<+2.52 V	>+3.08 V
2.9 V	+2.70 to 3.10 V	<+2.61 V	>+3.19 V
3.0 V	+2.79 to 3.21 V	<+2.70 V	>+3.30 V
3.1 V	+2.88 to 3.32 V	<+2.79 V	>+3.41 V
3.2 V	+2.97 to 3.42 V	<+2.88 V	>+3.52 V
3.3 V	+3.07 to 3.53 V	<+2.97 V	>+3.63 V
3.4 V	+3.16 to 3.64 V	<+3.06 V	>+3.74 V
3.5 V	+3.25 to 3.75 V	<+3.15 V	>+3.84 V

Device Mapping *B*

Introduction

This appendix provides a series of tables listing map and address information related to server memory and various main logic board devices (such as keyboard controller and interrupt controller).

Your server memory and address locations are allocated at the factory to operate within a standard environment. However, due to the number of optional devices and/or expansion boards that are available, sometimes memory and address locations need to be changed. For example, some expansion boards require a specific memory location. If that location is already allocated, a memory conflict results and the expansion board will not operate as expected. Note that some memory, I/O and interrupt locations can be changed using the SCU.



CAUTION: Before changing any memory or address location, refer to the documentation supplied with the optional device, expansion board, or software application and make sure adequate information is available. If not, contact the option or software manufacturer for further information.

CPU Memory Address Map

Address Range	Function	Size
00000 to 9FFFF	Main memory	640 KB
A0000 to BFFFF	PCI/EISA/ISA video buffer memory	128 KB
C0000 to C7FFF	Video memory BIOS	32 KB
C8000 to DFFFF	PCI/EISA/ISA expansion board BIOS and buffer memory	96 KB
E0000 to EFFFF	EISA/ISA adapter RAM (non-shadow)	64 KB
F0000 to FFFFF	System BIOS memory	64 KB

I/O Address Map

Range (hexadecimal)	Function
060, 064	Keyboard/mouse controller
0F0 to 0FF	Math co-processor
1F0 to 1F7	IDE controller (if enabled)
278 to 27F	LPT2 (if enabled)
2E8	COM4 (if enabled)
2F8	COM2 (if enabled)
378 to 37F	LPT1 (if enabled)
3BC to 3BE	LPT3 (if enabled)
3E8	COM3 (if enabled)
3F0 to 3F7	Diskette controller (if enabled)
3F8	COM1 (if enabled)

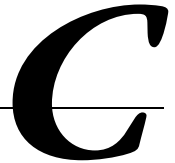
Server Interrupt Levels

Interrupt Number	Interrupt Source
IRQ1	Keyboard controller
IRQ3	COM2, COM4 (if enabled)
IRQ4	COM1, COM3 (if enabled)
IRQ6	Diskette controller (if enabled)
IRQ7	LPT1, LPT2, LPT3 (if enabled)
IRQ10	COM2, COM4 (if enabled)
IRQ11	COM1, COM3 (if enabled)
IRQ12	Mouse interrupt
IRQ13	Math co-processor

PCI Configuration Space Address Map

PCI Bus No.	Device No.	Device
0	00h	Host bridge
0	07h	EISA bridge
0	08h	PCI slot 1
0	09h	PCI slot 2
0	0Ah	PCI slot 3
0	0Ch	AIC7880 ultra SCSI
0	0Dh	DC21142 ethernet controller
0	12h	S3 Trio32/64 V+ VGA

SCU Features



Introduction

After entering the SCU, you can edit a variety of resources and configure your server for the most optimized condition. The following tables list the SCU options that are available in the SCU.

System - Prioris MX 6200 Server

Menu Fields	Settings	Comments
System processor type	Not user selectable	Displays the type of the processor that is resident on the CPU module.
System processor clock	Not user selectable	Displays the clock of the processor that is resident on the CPU module.
System base memory	Not user selectable	Displays the amount of base (conventional) memory each time your server boots.
System extended memory	[memory amount], AT-bus space disabled ⁽¹⁾	Displays the amount of extended memory each time your server boots.
	[memory amount], AT-bus space enabled at F00000h, 1M	You can select disabling or enabling one of three memory ranges that could be used by expansion boards.
System extended memory mode	Compatibility ⁽¹⁾ Non-compatibility	Selects the means for supporting extended memory above 64 MB. Select [Compatibility] for using conventional service in BIOS. Select [Non-Compatibility] for memory support above 64 MB when using Windows NT v3.1 or above.
System reserved resources	Not user selectable	Displays the SCU configuration and file overlay information. Reserved resources are also shown.
System BIOS Language	English ⁽¹⁾ Spanish French German Italian	Selects the language to display POST messages.

⁽¹⁾ Factory default setting

System Management Group

Menu Fields	Settings	Comments
System information	Not user selectable Installed as a default ⁽¹⁾	Select [Enter] to display the Asset number of the server and the System ID. The Asset number can be changed by the user.
Main logic board information	Not user selectable Installed as a default ⁽¹⁾	Select [Enter] to display main logic board information including Asset number, Serial number, Artwork Revision number, Model number, and System ID. The Asset number is the only item that can be changed by the user.
CPU module information	Not user selectable Not installed as a default ⁽¹⁾	Select [Enter] to display CPU module information including Asset number, Serial number, Artwork Revision number, Model number, and System ID. The Asset number is the only item that can be changed by the user.

(1) Factory default setting

Diskette Drive Group

Menu Fields	Settings	Comments
Integrated diskette controller	Enabled ⁽¹⁾ Disabled	Enables or disables the onboard diskette controller. The onboard diskette controller must be disabled if an external diskette controller performs the interfacing to the diskette drives.
Diskette drive A	Not Installed 5.25" 360 KB drive 5.25" 1.2 MB drive 3.5" 720 KB drive 3.5" 1.44 MB drive ⁽¹⁾ 3.5" 2.88 MB drive	Sets the size and density of diskette drives.
Diskette drive B	Not Installed ⁽¹⁾ 5.25" 360 KB drive 5.25" 1.2 MB drive 3.5" 720 KB drive 3.5" 1.44 MB drive 3.5" 2.88 MB drive	Sets the size and density of diskette drives.
Exchange diskette drives	Disabled ⁽¹⁾ Enabled	Allows you to logically exchange physical diskette drive designation. Enabling this function allows you to boot diskette software that is compatible with physical drive B: instead of physical drive A:.
Diskette write protection	Disabled ⁽¹⁾ Enabled	Enables or disables the selected diskette drives to be write-protected at the disk drive level. Enabling this option means writing data to a diskette is prohibited. However, you can still read data from the diskette.

(1) Factory default setting

Boot Options Group

Menu Fields	Settings	Comments
Boot option	A: then C: ⁽¹⁾ C: then A: C: only A: only	Each time your server boots, it will load your operating system from the sequence selected. Note, if "C: then A:" is selected, the Quick Launch CD-ROM might not be bootable.
Boot sequence preference	Embedded PCI SCSI channel A ⁽¹⁾ Embedded PCI SCSI channel B PCI slots	Select the channel that the boot device will be attached to. If the boot device is attached to a PCI expansion board, select the PCI slots option and the server will boot from the first boot device found attached to a PCI expansion board as it scans the PCI bus.
POST errors	Enabled ⁽¹⁾ Disabled	If enabled, the server pauses and displays POST errors. To continue, Press <F1>.
Diskette check	Enabled ⁽¹⁾ Disabled	Enabling this option forces the server to verify the diskette type during boot.
Summary screen	Enabled ⁽¹⁾ Disabled	Enables or disables the ability to display your server's configuration during boot.

Integrated Peripherals Group

Menu Fields	Settings	Comments
Video type	VGA or EGA ⁽¹⁾ CGA 80 columns Monochrome	Sets the video controller type.
Monitor type	Color ⁽¹⁾ Monochrome	Sets the type of monitor connected to your server: Color or Monochrome.

⁽¹⁾ Factory default setting

continued

Menu Fields	Settings	Comments
Mouse port	Disabled Enabled ⁽¹⁾	Enables or disables the onboard PS/2 style mouse port.
Parallel port	Disabled	Selects the Enhanced Parallel Port (ECP) mode.
	Compatible mode ⁽¹⁾	Selects the standard printer connection.
	Bi-Directional Mode	Selects the PS/2 compatible mode to receive data.
	EPP 1.7 mode EPP 1.9 mode	Selecting EPP 1.7 or EPP 1.9 is based on what EPP version your printer supports. If you are not sure what version your printer supports, use the default setting.
	ECP mode	Sets the Extended Capabilities Port (ECP) mode.
Serial port 1	Disabled	Enables or disables onboard serial port 1 at the specified address and IRQ.
	Enable at: 3F8h-3FFh (IRQ4) ⁽¹⁾	
	Enable at: 2F8h-2FFh (IRQ3)	
	Enable at: 3E8h-3EFh (IRQ4)	
	Enable at: 2E8h-2EFh (IRQ3)	
	Enable at: 3F8h-3FFh (IRQ11)	
	Enable at: 2F8h-2FFh (IRQ10)	
	Enable at: 3E8h-3EFh (IRQ11)	
Enable at: 2E8h-2EFh (IRQ10)		
Serial port 2	Disabled	Enables or disables onboard serial port 2 at the specified address and IRQ.
	Enable at: 3F8h-3FFh (IRQ4)	
	Enable at: 2F8h-2FFh (IRQ3) ⁽¹⁾	
	Enable at: 3E8h-3EFh (IRQ4)	
	Enable at: 2E8h-2EFh (IRQ3)	
	Enable at: 3F8h-3FFh (IRQ11)	
	Enable at: 2F8h-2FFh (IRQ10)	
	Enable at: 3E8h-3EFh (IRQ11)	
Enable at: 2E8h-2EFh (IRQ10)		

⁽¹⁾ Factory default setting

continued

Menu Fields	Settings	Comments
Embedded PCI SCSI	Installed ⁽¹⁾ Not installed	When installed, this device will be recognized by the server. When not installed, this device will not be recognized by the server and will be ignored during the PCI scan sequence.
Embedded PCI ethernet	Installed ⁽¹⁾ Not installed	When installed, this device will be recognized by the server. When not installed, this device will not be recognized by the server and will be ignored during the PCI scan sequence.

⁽¹⁾ Factory default setting

Keyboard Features Group

Menu Fields	Settings	Comments
NumLock	Auto ⁽¹⁾ Off On	Selects the power on state for Numlock. If Auto is selected, the server turns on Numlock if it detects a numeric keypad.
Key Click	Disabled ⁽¹⁾ Enabled	Enables or disables the audible key click feature.
Keyboard auto-repeat rate	30/sec ⁽¹⁾ 26.7/sec 21.8/sec 18.5/sec 13.3/sec 10/sec 6/sec 2/sec	Sets the number of times a second to repeat a keystroke while you hold the key down.
Keyboard auto-repeat delay	¼ sec 1/2 sec ⁽¹⁾ 3/4 sec 1 sec	Sets the delay time after a key is held down before it begins to repeat a keystroke.

⁽¹⁾ Factory default setting

Shadow Options Group

Menu Fields	Settings	Comments
Shadow video BIOS ROM	Enabled ⁽¹⁾ Disabled	The main logic board reserves an area of DRAM for a copy of video BIOS ROM. This DRAM called “shadow memory” is write-protected and has the same addresses as the video BIOS ROM locations. When you shadow video BIOS ROM, the ROM image is copied into an appropriate area in DRAM. This increases the server’s performance because the video BIOS instructions are in fast DRAM instead of low speed ROM. For PCI VGA devices, video BIOS is always shadowed in C0000h-C7FFFh, regardless of this field’s setting.
Shadow C8000h- CBFFFh	Disabled ⁽¹⁾ Enabled	Allows you to disable or enable the shadowing request for optional ROM at the corresponding addresses.
Shadow CC000h- CFFFFh	Disabled ⁽¹⁾ Enabled	Allows you to disable or enable the shadowing request for optional ROM at the corresponding addresses.
Shadow D0000h-D3FFFh	Disabled ⁽¹⁾ Enabled	Allows you to disable or enable the shadowing request for optional ROM at the corresponding addresses.
Shadow D4000h-D7FFFh	Disabled ⁽¹⁾ Enabled	Allows you to disable or enable the shadowing request for optional ROM at the corresponding addresses.
Shadow D8000h- DBFFFh	Disabled ⁽¹⁾ Enabled	Allows you to disable or enable the shadowing request for optional ROM at the corresponding addresses.
Shadow DC000h- DFFFFh	Disabled ⁽¹⁾ Enabled	Allows you to disable or enable the shadowing request for optional ROM at the corresponding addresses.

⁽¹⁾ Factory default setting

Security Options Group

Menu Fields	Settings	Comments
Supervisor password	Not installed ⁽¹⁾ Installed	Allows you to set a supervisor password. If set, you will be prompted to enter a password prior to accessing the SCU.
User password	Not installed ⁽¹⁾ Installed	Can only be set in the condition that the Supervisor password is set. This password functions with "Password on Boot" or "Quick Lock Hot-Key."
Password on boot	Enabled Disabled ⁽¹⁾	Enables or disables password entry on boot. If enabled, the server will prompt you to enter the password, either the User password or the Supervisor password.
Quick lock hot-key	Disabled ⁽¹⁾ [Alt]-[Ctrl]-[F1] through [Alt]-[Ctrl]- [F12]	Enables or disables the Quick Lock function. When enabled, you can lock both the keyboard and PS2 mouse by pressing the defined hot key, [Alt]-[Ctrl]-[key]. During the lock state, if a user password is entered, the keyboard and PS2 mouse will function again.
Diskette access	Supervisor User ⁽¹⁾	If set to supervisor, the diskette can only be accessed if the server is booted via a supervisor password. Otherwise, the diskette is free to be accessed.
Network server	Disabled ⁽¹⁾ Enabled	When enabled, the server does not require a keyboard to function and therefore, keyboard error messages which might occur during POST will be ignored.
System backup reminder	Disabled ⁽¹⁾ Daily Weekly Monthly	Allows you to display a backup reminder message at boot (daily, every Monday, or the 1st of every month).
Virus check reminder	Disabled ⁽¹⁾ Daily Weekly Monthly	Allows you to display a virus check reminder message at boot (daily, every Monday, or the 1st of every month).

⁽¹⁾ Factory default setting

Cache Options Group

Menu Fields	Settings	Comments
L1 cache	Not user selectable; Always enabled	Indicates that the processor L1 cache is enabled.
L2 cache	Not user selectable; Always enabled	Indicates that the processor L2 cache is enabled.
Cache system BIOS ROM	Enabled ⁽¹⁾ Disabled	Enables or disables caching request for server BIOS ROM (F0000h to FFFFFh).
Cache video ROM	Enabled ⁽¹⁾ Disabled	Enables or disables the server to cache the video BIOS in the C0000 to C7FFFh segment.

⁽¹⁾ Factory default setting

Advanced Control Group

Menu Fields	Settings	Comments
CPU to PCI write posting	Enabled Disabled ⁽¹⁾	Enables CPU writes to PCI to be posted in the OPB.
PCI to DRAM pipeline	Disabled ⁽¹⁾ Enabled	Enables pipelining of PCI to DRAM write cycles.
APIC & MP table	Disabled MPS 1.1 MPS 1.4 ⁽¹⁾	Applicable to single processor configurations only, always enabled for Multi-Processing (MP) operating system configurations. When set to MPS 1.1 or MPS 1.4, the CPU's Advanced Programmable Interrupt Controller (APIC) is enabled, and the MP table used by MP operating systems will be created. Note: This parameter must be disabled for NetWare 3.12 single processor systems.
Error correction code interrupt	Enabled ⁽¹⁾ Disabled	Enables or disables the Error Correction Code (ECC).
PCI parity check	Enabled ⁽¹⁾ Disabled	Enables or disables the PCI parity checking.

⁽¹⁾ Factory default setting

EISA or PCI Devices Group

Menu Fields	Settings	Comments
EISA [slot#] - [device]		You can edit resources provided by the expansion board's vendor. Please refer to the menu displayed on this item.
PCI [slot#] - [device] function 1	Enabled Disabled	Whenever PCI devices are installed in the PCI slots, the device is automatically added. You can enable or disable this device. If enabled, you can set the related resources based on the menu the SCU displays. The [device] is either SCSI or Ethernet.
Embedded - [device] PCI function 1	Enabled Disabled	Three kinds of PCI devices can be identified as Embedded devices. The first are onboard PCI devices. The second are the PCI devices beyond 10 PCI devices that have been identified and shown as the normal PCI devices. The third are the PCI devices that share the same IRQ with the PCI devices displayed as the normal PCI devices. When enabled, all the resources shown on the menu can be changed.
Embedded - PCI VGA controller PCI function 1	Enabled Disabled	Onboard PCI VGA device.
Standard VGA resources	Enabled Disabled	Enables or disables the compatible VGA resources.

Caring For Your Server *D*

Introduction

This appendix describes how to:

- Clean the outside of the server
- Clean the monitor screen
- Clean the mouse
- Pack and move the server



CAUTION: Make sure you turn off the server and disconnect any external devices before doing any cleaning. When using a moistened cloth for cleaning, do not allow any excess fluid to leak into the server, keyboard, or monitor. Wait until the server is completely dry before applying power.

Cleaning the Server

Clean the outside of the server periodically with a soft cloth. Use a cloth lightly moistened with a mild detergent solution. Do not use solvents or abrasive cleaners.

Cleaning the Screen

If the monitor screen gets dirty, clean it with a sponge or chamois cloth lightly dampened with a glass cleaning solution. Do not use solvents or abrasive cleaners.

Cleaning the Mouse

If your mouse cursor moves erratically across the screen, the ball on the bottom of the mouse is probably dirty.

Perform the following steps to clean a mouse ball:

1. Turn the mouse over and release the ball cover.
2. Place the mouse cover and ball on a clean surface.
3. Lightly dampen a cotton swab with a mild detergent, and clean the ball and the inside of the mouse.
4. Replace the ball and mouse ball cover.

Moving the Server

Perform the following steps before shipping or moving the server:

1. Back up all files stored on all hard disk drives.
2. Turn off the server (the monitor automatically shuts off).
3. Disconnect the power cord from the wall outlet, then from the back of the server.
4. Disconnect the monitor cable from the back of the server.
5. Disconnect the keyboard cable from the back of the server.
6. Disconnect the mouse cable from the back of the server.
7. Disconnect any other external peripheral devices, such as printers and modems.
8. Insert a drive protection card in the 3½-inch diskette drive. If you do not have a drive protection card, use a blank diskette.
9. Package the server as described in the following section, "Packing the Server."

Packing the Server

If you are moving the server a short distance (from one room to another in the same building), you do not have to pack the server. If you are shipping the server or moving it by vehicle, pack the server to avoid damage.

Pack the server in the original packing material and containers. If you did not save the boxes and packing material, use a sturdy carton and cushion the server well to avoid damage.

Installing the Server at a New Location

After moving the server to a new location, follow the instructions in the *Installation Guide* to unpack and install it.

Index

A

audience, ix

B

BIOS upgrade utility, 2-10

boot device

 SCSI configuration guidelines, 7-4

boot device assignment

 examples of, 8-7

boot device assignment examples, 8-7

boot devices

 server, 8-4

boot sequence

 server, 8-4

boot sequence preference

 scan order, 8-7

C

caring for your server, D-1

CD-ROM drive

 configuration guidelines, 7-1

cleaning

 monitor screen, D-2

 server, D-2

cleaning the mouse, D-2

configuration guidelines

 CD-ROM drive, 7-1

 disk drive, 7-1

 ISA/EISA expansion boards, 8-1

 PCI expansion boards, 8-3

 tape drive, 7-1

configuration utility

 RAID, 2-10, 2-12

 SCSI*Select*, 2-12

 system, 2-2, 2-12

configure computer with system default option

 SCU, 2-8, 2-12

configure your computer option

 SCU, 2-8, 2-12

configuring EISA/PCI expansion boards

 using the SCU, 8-3

configuring expansion boards using the SCU,
 2-3, 2-12

connecting RAID adapters

 configuration guidelines, 9-2

connecting SCSI adapters

 configuration guidelines, 9-1

connecting single channel RAID adapters, 9-6

connecting to an external SCSI storage box,
 7-18

connecting wide and narrow SCSI cables, 9-4

CPU module

 switch and jumper settings, A-10

CPU module components and connectors, 3-
 16

current limitation

 expansion slots, A-3

 PCI bus (local bus) expansion slots, A-3

current requirements, A-4

D

- device expansion brackets
 - installing, 7-12
- device mapping, B-1
 - CPU memory address, B-2
 - I/O address, B-3
 - PCI configuration space address, B-4
- diagnostics
 - AMIDiags, 2-12
 - running, 11-3
 - utility keys, 11-4
- disk drive
 - configuration guidelines, 7-1
- drive IDs
 - SCSI, 7-5

E

- EISA expansion boards
 - installing, 8-15
- environmental features, A-6
- error messages, 4-6
 - POST/boot codes, A-13
 - server status, 4-6
- expanding your server
 - tools needed, 3-18
- expansion boards
 - adding EISA, 8-16
 - adding ISA, 8-12
 - adding PCI, 8-19
 - installing, 8-11
 - relocating, 8-20
- expansion slots
 - maximum current limitation, A-3
- external devices
 - disconnecting, 3-2
- external SCSI storage box
 - connecting, 7-18

- external wide SCSI cable assembly
 - installing, 7-17

F

- fault status LEDs
 - server, A-12
- features
 - environmental, A-6
- forgetting your password, 10-5
- front bezel and side panel security lock, 3-2
- front view
 - server, 3-6
- front-access security door and front bezel
 - security lock, 10-3

H

- hold-down bar
 - server security, 10-2
- hot-swap devices
 - SBB LED indicators, 7-16

I

- identifying PCI devices
 - using the SCU, 8-8
- initial troubleshooting, 11-2
- input power requirements, A-4
- installing
 - EISA expansion boards, 8-15
 - expansion boards, 8-11
 - ISA expansion boards, 8-12
 - optional drives, 7-8
 - PCI expansion boards, 8-17
 - server side panel, 3-5
 - SIMMs, 6-4

- installing devices
 - expansion brackets, 7-12
 - hot-swap drive bay, 7-14
 - top-right drive bay, 7-8
 - top-right drive bay (full-height), 7-10
- installing external wide SCSI cable assembly, 7-17
- installing server at a new location, D-4
- installing SIMMs, 6-4
- interrupt levels
 - server, B-4
- ISA expansion boards
 - installing, 8-12
- ISA/EISA expansion boards
 - configuration guidelines, 8-1
- ISA/EISA/PCI expansion boards
 - removing metal filler plate, 8-13

K

- keyboard function keys
 - SCU, 2-7, 2-12

L

- left side view
 - server, 3-8
- locating the SCU, 2-4, 2-12

M

- main logic board components
 - server, 3-14
- main logic board connectors
 - server, 3-12
- main menu options
 - SCU, 2-5, 2-12
- maintain SCU diskette option
 - SCU, 2-9, 2-12

- managing your server, 4-1
- mass storage devices
 - installing, 7-8
- memory module
 - SIMM bank designations, 6-3
 - SIMM socket locations, 6-3
- memory troubleshooting
 - server, 6-8
- memory upgrade
 - server, 6-3
- monitor screen
 - cleaning, D-2
- mouse
 - cleaning, D-2
- moving your server, D-3

O

- obtaining information
 - using server management, 4-2, 4-4

P

- packing
 - server, D-3
- password
 - if you forget, 10-5
 - supervisor, 10-4
- PCI bus (local bus) expansion slots
 - maximum current limitation, A-3
- PCI expansion boards
 - configuration guidelines, 8-3
 - installing, 8-17
- performance specifications
 - server, A-2
- PHLASH.EXE, 2-10
- POST/boot codes error messages, A-13
- power cord requirements, A-5
- preventing component damage, 3-18

Index

problem solving, 11-1
properly disposing an old server battery/RTC,
3-19

Q

Quick Launch
purpose, 2-2, 2-12

R

RAID configuration guidelines
when connecting RAID adapters, 9-2
rear view
server, 3-10
replacing server battery/RTC, 3-18
running diagnostics, 11-3

S

SBB LED status indicators, 7-16
scan order
boot sequence preference, 8-7
scan sequence
server, 8-5
SCSI
configuration guidelines
SCSI ID and termination, 7-2
SCSI cables
supplied, 7-7
SCSI configuration guidelines
boot device, 7-4
external channel, 7-4
single channel narrow and wide, 7-2
storage backplane, 7-5
when connecting SCSI adapters, 9-1
SCSI devices
drive IDs, 7-5
SCSI external channel

configuration guidelines, 7-4
SCSI ID and termination
configuration guidelines
SCSI, 7-2
SCSI single narrow and wide
configuration guidelines, 7-2
SCU
adding EISA expansion boards, 8-16
adding ISA expansion boards, 8-12
adding PCI expansion boards, 8-19
configuring EISA/PCI expansion boards,
8-3
configuring expansion boards, 2-3, 2-12
identifying PCI devices, 8-8
keyboard function keys, 2-7, 2-12
locating, 2-4, 2-12
main menu options, 2-5, 2-12
relocating expansion boards, 8-20
setting the time and date, 2-8, 2-12
start and use, 2-6, 2-12
when to run, 2-2, 2-12
SCU menu fields, C-1
advanced control group, C-12
boot options group, C-5
cache options group, C-12
diskette drive group, C-4
integrated peripherals group, C-5
keyboard features group, C-9
EISA or PCI devices group, C-13
security options group, C-11
shadow options group, C-10
system, C-2, C-3
security features
server, 10-6
security lock
front-access security door and front
bezel, 10-3
front bezel and side panel, 3-2

- server
 - boot devices, 8-4
 - boot sequence, 8-4
 - cleaning, D-2
 - components, 3-1
 - CPU module components and connectors, 3-16
 - current requirements, A-4
 - disconnecting external devices, 3-2
 - fault status LEDs, A-12
 - front view, 3-6
 - initial troubleshooting, 11-2
 - installing at a new location, D-4
 - installing EISA expansion boards, 8-15
 - installing expansion boards, 8-11
 - installing ISA expansion boards, 8-12
 - installing optional drives, 7-8
 - installing PCI expansion boards, 8-17
 - installing side panel, 3-5
 - left side view, 3-8
 - main logic board components, 3-14
 - main logic board connectors, 3-12
 - memory troubleshooting, 6-8
 - memory upgrade, 6-3
 - moving, D-3
 - packing, D-3
 - power cord requirements, A-5
 - rear view, 3-10
 - removing side panels, 3-4
 - replacing battery/RTC, 3-18
 - scan sequence, 8-5
 - SCSI drive IDs, 7-5
 - security, 10-1
 - security features, 10-6
 - SIMMs requirements, 6-2
 - technical specifications, A-1
 - server battery/RTC
 - installing, 3-18
 - proper disposal, 3-19
 - server components, 3-1
 - server management, 4-1
 - obtaining information, 4-2, 4-4
 - server security
 - hold-down bar, 10-2
 - side panel
 - installing, 3-5
 - side panels
 - removing, 3-4
 - SIMMs
 - installing, 6-4
 - SIMMs requirements
 - server, 6-2
 - single channel RAID adapters
 - connecting, 9-6
 - specifications
 - environmental, A-3
 - server, A-1
 - server dimensions, A-2
 - server performance, A-1, A-2
 - start and use SCU, 2-6, 2-12
 - static electricity, 3-18
 - status indicators
 - SBB LEDs, 7-16
 - storage backplane
 - configuration guidelines, 7-5
 - supervisor password, 10-4
 - supplied
 - SCSI cables, 7-7
 - switch and jumper settings
 - CPU module, A-10
-
- T**
- tape drive
 - configuration guidelines, 7-1
 - technical specifications, A-1
 - time and date option
 - SCU, 2-8, 2-12

Index

troubleshooting, 11-1
 CD-ROM, 11-14
 disk drive, 11-9
 diskette drive, 11-15
 initial, 11-2
 monitor, 11-13
 RAID, 11-16
 SBB, 11-12
 server, 11-5
 tape drive, 11-12

U

utilities

 BIOS upgrade, 2-10
 RAID configuration utility, 2-10, 2-12
 SCSI *Select* configuration utility, 2-12
 system configuration utility, 2-2, 2-12

utility keys

 diagnostics, 11-4

W

when to run the SCU, 2-2, 2-12

wide and narrow SCSI cable
 connecting, 9-4