



ER-PB8HA-IN. A01

INSTALLING FIFTH HARD DRIVE INTO DIGITAL SERVER 3300 SYSTEMS

Use this card as a quick reference to install an additional hard drive into the removable disk area in DIGITAL Server 3300 systems.

For more information, refer to the *DIGITAL Server 3300 User's Guide* (ER-K7FWW-UG) and *DIGITAL Server 3300 Service Guide* (ER-K7FWW-SG).

NOTE: Installation of this option requires that a SCSI controller (ordered separately) be available for the drives in the 4-slot storage drive cage.

If needed, a longer 68-conductor SCSI cable (FR-PB8HA-DA, ordered separately) is available to connect the SCSI controller to the storage drive cage.

Option Package

The hard drive is packaged in kit: FR- PB8HA-EB.

The FR-PB8HA-EB kit includes the following:

- One 68-conductor SCSI cable (17-04705-01)
- Two 68-to-50 conductor adapters (17-04009-01)
- Two mounting brackets (74-48510-01) and four screws
- One 4.3 GB wide, Ultra SCSI disk drive

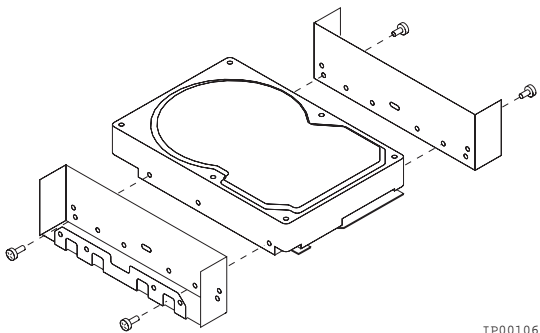
Shut Down the System

1. Shut down the operating system following the instructions listed in the operating system documentation.
2. Set the On/Off buttons to Off on all external options connected to the system.
3. Set the On/Off button on the system unit to Off.
4. Disconnect the power cord.

CAUTION: Wear an antistatic wrist strap when working on this system.

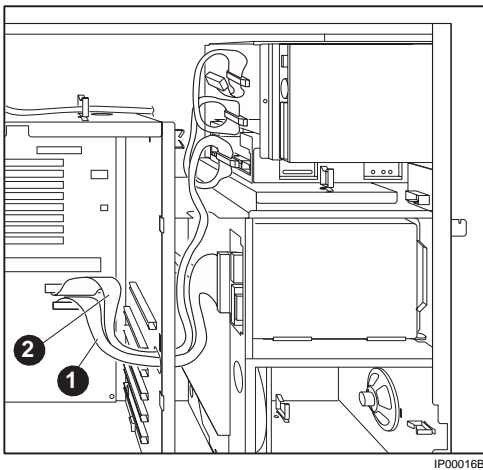
Install the Drive

1. Set the jumpers assigning the SCSI ID on the new drive to the desired number. Refer to the instructions provided with the disk drive.
2. Attach the two mounting brackets (74-48510-01) to the disk drive using the four screws as shown.



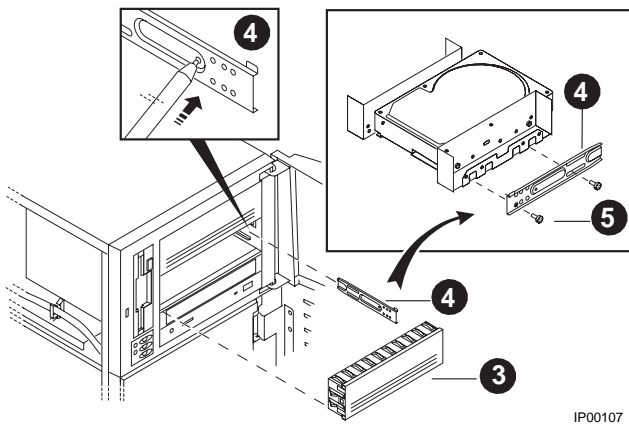
3. Remove the side panel (pedestal) or the top cover (rackmount) as described in the *User's Guide*.

4. Detach the 64-conductor wide SCSI cable (17-04400-01) **1**, if one is installed, from the system board and from the drive shelf. Remove the cable.

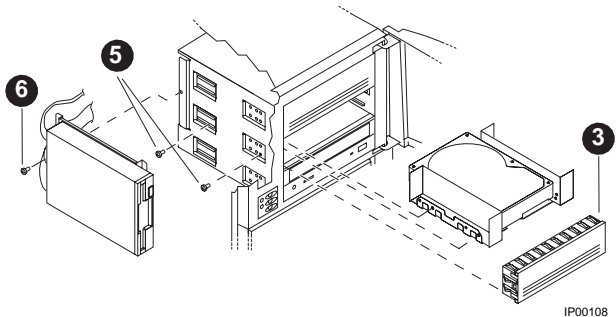


5. Detach the 50-conductor narrow SCSI cable (17-04399-01) **2** from the system board and from each removable media device. Remove the cable.
6. Remove the blank storage panel **3** for the selected storage slot by pushing from behind the panel and set aside.

- Remove the slide bracket **4** from inside the storage device area by depressing the spring tab with a pen or screwdriver and attach it to the disk drive with the screws **5** taped to the slide bracket.

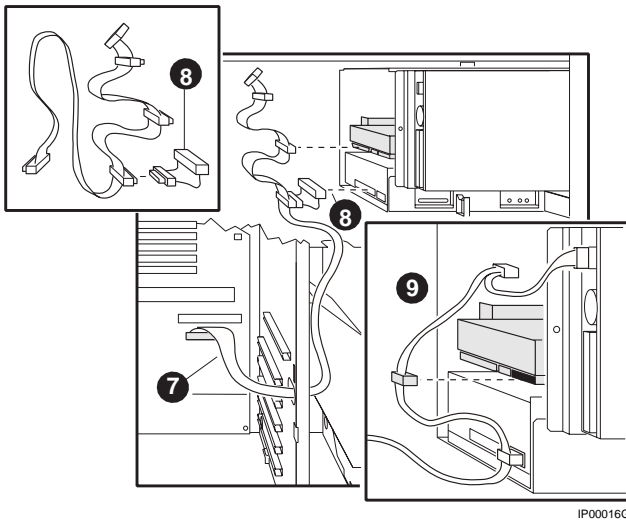


- Remove the screw **6** holding the diskette drive and carefully move the drive aside to gain access to attaching screws.



- Slide the storage device assembly into the slot and secure it using two screws **5**.
- Reinstall the diskette drive.
- Reinstall the blank storage panel **3** removed earlier.
- Route the new 68-conductor cable **7** (17-04705-01).

- Attach a 68-conductor to 50-conductor adapter (17-04009-01) ⑧ onto the connector for the CD-ROM. If you have a second narrow, removable media device, use the second adapter.



- Connect the cable to the CD-ROM drive, to the newly installed disk drive, and to the 68-pin connector on the system board ⑦.
- Connect the power cable ⑨ to the new drive.

You have now finished the installation of the fifth drive.

Verify the Installation

- Replace the panels and doors and power up the system.
- Issue the **show device** command to verify that the new disk is seen.

For more information, refer to the *DIGITAL Server 3300 Series User's Guide* (ER-K7FWW-UG).