



DIGITAL HiNote Ultra 2000 Series

Service Shell Installation Advisory

Shell Installation Instructions



IMPORTANT: This notice contains information that is important for configuring a replacement HiNote Ultra 2000 series “Shell” at a customer site.

The HiNote Ultra 2000 series notebook computer “shell,” also known as a replacement foundation, is supplied for field use. It minimizes field disassembly of a customer system, allowing efficient onsite repair. Refer to the DIGITAL HiNote Ultra 2000 Series Service Quick Reference Guide ER-PF1WW-SR for complete information.

Tools Required

- A clean working surface
- A #1 Phillips head screw driver



SHOCK OR STATIC SENSITIVE: Static electricity collects on non-conductors such as paper, cloth, or plastic. A static discharge can be damaging even though you often cannot see or feel it. To prevent damage to circuit boards and/or components:

- Before touching any circuit board or component, touch the metal frame of your workstation to discharge any static electricity.
- Keep circuit boards and components away from non-conductors.



Prior to Disassembly

1. A paper label is supplied on the bottom of your replacement “Shell.” Edit the label by adding the appropriate information from the customer’s system. This information is necessary for warranty, service and tracking purposes.

digital

This notebook was exchanged by Digital Multivendor Customer Service Personnel as part of an hardware service call.

Original Serial No.: 2U72301204

Original Model No.: FR-PD4WI-AA

Call Log #: C709220176 Date: 9/24/97

37-xxxxxxx

- Record the customer's,
 - Original Serial number
 - Original Model number
 - Call log number
 - Service date

2. Attach a field failure tag to the failed “Shell” identifying the failure mode and return it complete, for repair using normal procedures.

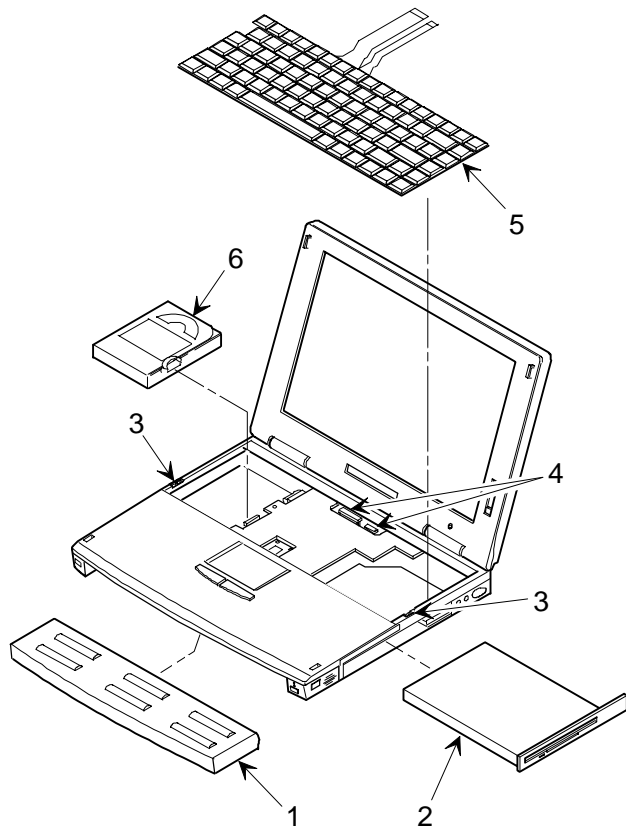
Disassembly Instructions

The following parts will be removed from the customer’s system and retained for installation in the replacement “Shell” (see Figure 1).

1. Remove the primary battery.
2. Remove the combo FDD and CD drive assembly.
3. Slide the keyboard latches, raise the keyboard toward the LCD.
4. Remove the keyboard cables from the locking connectors.
5. Remove the keyboard.
6. Slide the HDD locking latch to the unlocked position, pull the ribbon loop to remove the HDD assembly.
7. Remove any additional PCMCIA and memory daughter cards

Customer System Re-configuration

On the replacement “Shell,” in reverse order, add all the parts that were removed from the defective HiNote Ultra 2000.



DEC01438

Figure 1. DIGITAL HiNote Ultra 2000