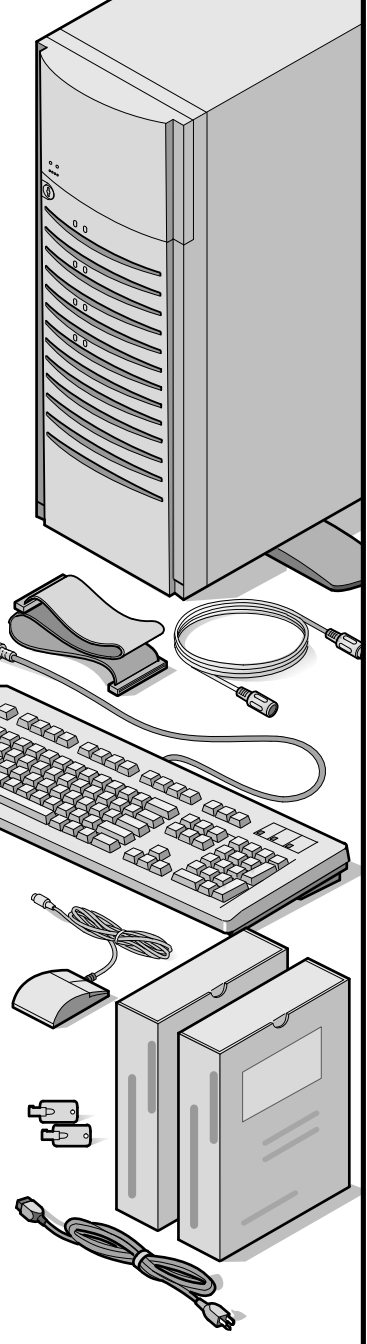


Prioris™

digital™

Server Installation

WITH ServerWORKS™ QUICK LAUNCH



Thank You

... for purchasing a Digital Prioris server.

The Prioris family represents Digital's continued commitment to Uncompromising Quality, backed by award-winning Customer Service and Support. The following procedures will help you easily set up your server's hardware and software.

ServerWORKS Quick Launch

ServerWORKS **Quick Launch** delivers unparalleled achievement in streamlining the installation and configuration of hardware components and network operating system software on Digital's Prioris™ line of servers. Quick Launch combines an intuitive interface and versatile, time saving features to produce a consistent and accurate installation optimized for Digital's extremely powerful and highly acclaimed Prioris servers.

In addition to its automated yet extensible method of express installations for Network Operating Systems, Quick Launch provides a comprehensive archive of server documentation, troubleshooting assistance, and indispensable configuration utilities all on one bootable CD.

Before you Begin

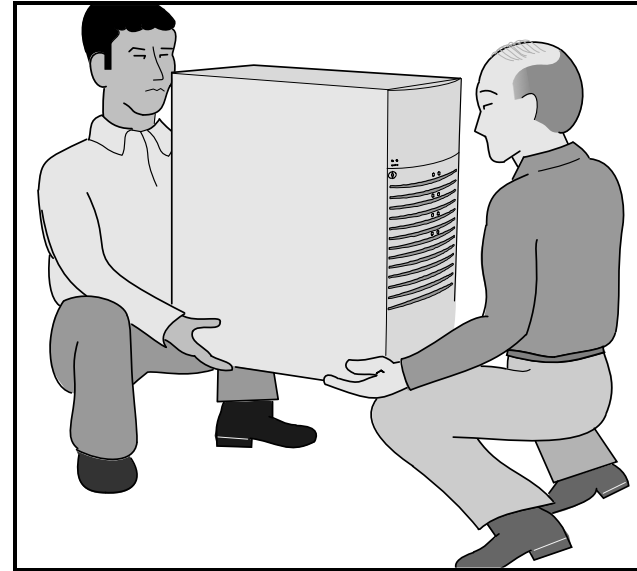
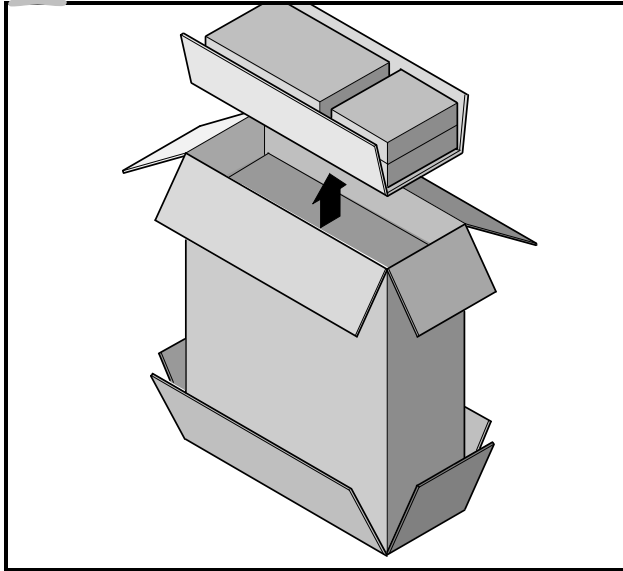
Select a suitable area for assembly and use. Ensure that your workspace:

- Is located next to electrical outlets and a telephone jack
- Is free from excessive heat, dust, and direct sunlight
- Allows at least 18 cm (7 in) of clearance on all sides for proper air flow

See "Technical Specifications" in your System Reference manual for temperature and humidity information.

If you do not wish to install the server yourself, contact Digital Customer Service. For a nominal fee, a Customer Service Technician can install the server for you.

1 *Unpack your server*



Unpacking Instructions

1. Tip the box on its side. Open the bottom of the box and fold the bottom flap under the box.
2. While still in the box, set the server upright.
3. Open the top of the box and remove the country kit.
4. Close the top of the box. Using the handles on the box, remove it from the top of the server.
5. Move the server to your desired location. Tip the server slightly and rotate the four pedestal feet outward until they lock into position.

NOTE

The country kit is in the top of the box. If desired, recycle the packing material.



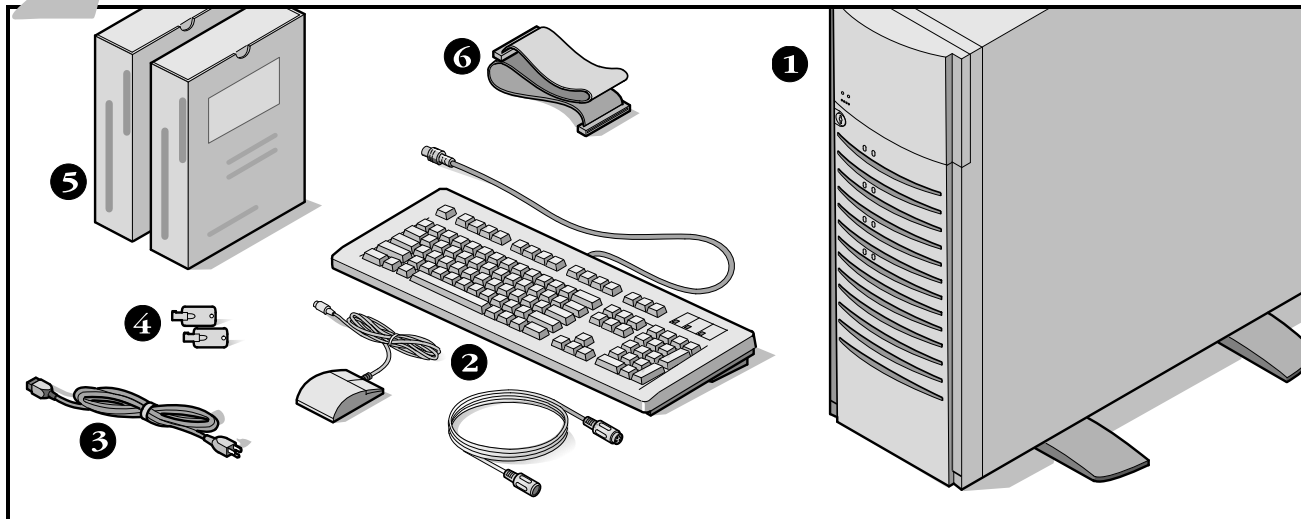
WARNING

Safety of our users is a great concern. Do not lift this equipment alone.

If you need to lift the server...

1. Get close to the server. Squat down with your knees bent and your feet apart for stable footing.
2. Lift with your legs keeping your back straight.
3. Avoid twisting your upper body.
4. Lower the server gently using your leg muscles to squat while keeping your back straight.

2 Check the parts



Unpack and identify your server's components.

- ❶ Prioris server
- ❷ Country kit including keyboard, keyboard extension cable and mouse (ordered separately)
- ❸ Power cord
- ❹ Server keys
- ❺ Server software and documentation kits including printed manuals and the Quick Launch CD-ROM with on-line documentation
- ❻ External 68-pin wide SCSI cable

NOTE

Monitor must be ordered separately.

The ServerWORKS software kit includes:

- ServerWORKS Quick Launch: ServerWORKS Quick Launch CD-ROM disk and Reference Guide.
- ServerWORKS Manager: ServerWORKS Manager software and documentation.

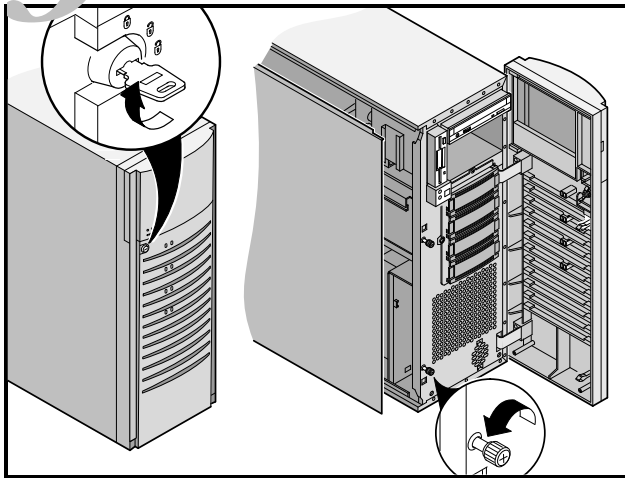
The Prioris Server documentation kit includes:

- This Server Installation guide, System Reference manual, Documentation Overview, Option manuals, Warranty and Service information, and Registration Card.

NOTE

On-Line Documentation is also contained on the Quick Launch CD-ROM.

3 Install any internal options



If you plan to use Quick Launch to install your Network Operating System, your server must meet the following minimum requirements to proceed with the server installation.

- 16 MB of RAM
- SVGA monitor
- 540 MB minimum hard disk drive
- Network card
- Two or three button mouse
- CD-ROM drive attached to the bootable SCSI controller
- Keyboard

If you have options to install, install them now.

1. Unlock door and front bezel
2. Open front bezel and loosen the two side panel thumbscrews
3. Remove side panel
4. Install options

NOTE

Install any PCI or EISA cards; do not install ISA cards at this time. ISA cards should be installed *after* you run the System Configuration Utility (Step 7) since the SCU will list IRQs that are already used.



CAUTION

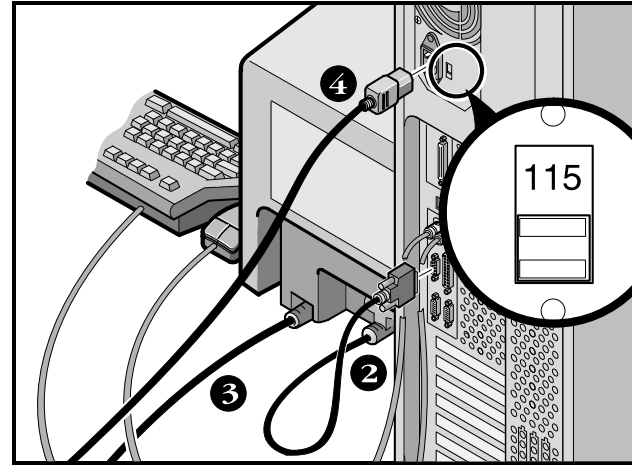
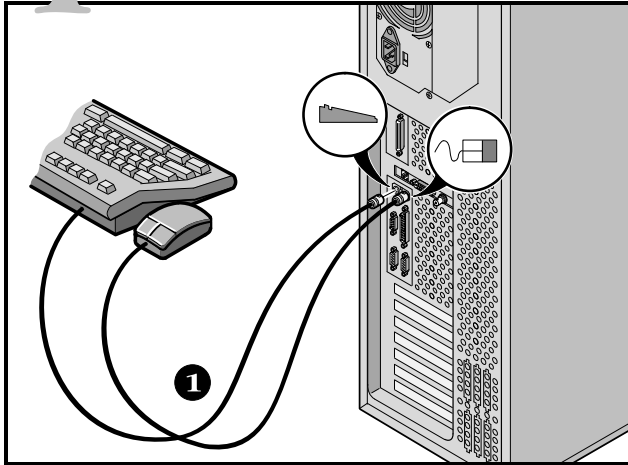
Before touching any circuit board or component, wear an anti-static wrist strap, properly grounded to the server chassis, or touch the metal frame to discharge any static electricity.

Refer to the following chapters in the System Reference manual for detailed information.

- Server Software and Utilities
- Server Components
- CPU Module Upgrade Configurations
- Installing Additional Memory
- Installing Disk and Tape Drives
- Installing Expansion Boards
- Connecting SCSI and RAID Adapters

Also, refer to the documentation that came with the option kit for specific installation instructions.

4 Connect the cables and power cord



1. Connect the mouse and keyboard cables into the corresponding connectors at the back of the server.
2. Place your monitor near your server. Connect the monitor signal cable to the back of the monitor and then connect it to the matching connector at the back of your server. Note that some monitors have signal cables permanently attached.
3. Connect the monitor power cord to the back of the monitor then to a wall outlet.
4. Connect the server power cord to the server, then to a wall outlet.

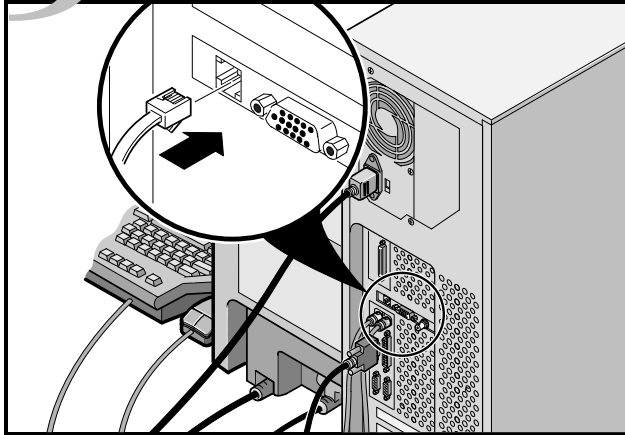


CAUTION

Do not attempt to modify or use an external 100 Vac (Japan only) or 115 Vac power cord for 240 Vac input power. Modifying either cord can cause severe equipment damage.

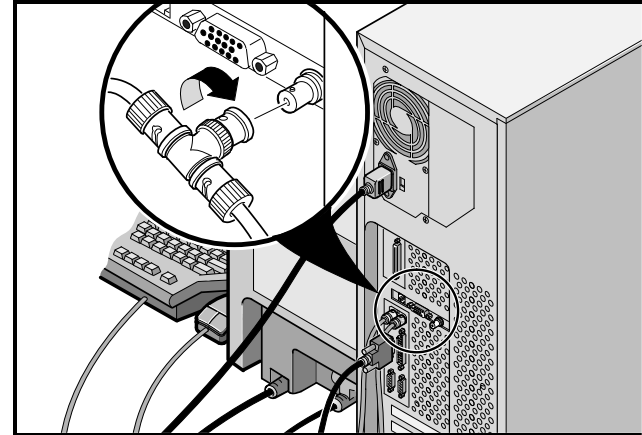
The voltage selection switch must match the voltage supplied by your power outlet. In North America, 115 volts is common. In other countries, 230 volts is common. Ensure that the voltage selection switch is set to the right voltage. If it is not set correctly, you can damage your server.

5 Ethernet connections

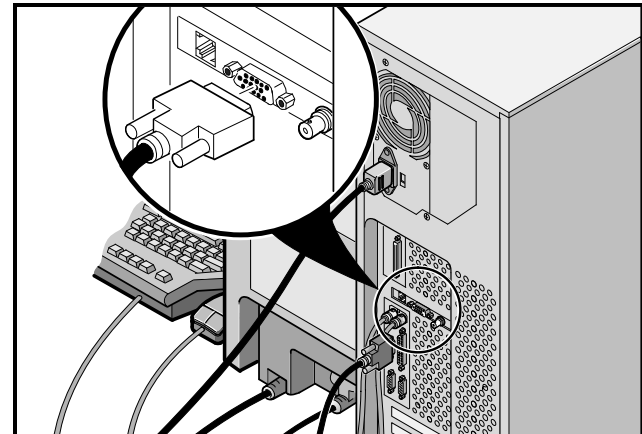


10Base-T (Twisted-Pair)

Your Prioris server is shipped network ready with connectors and onboard circuitry for 10Base-T (Twisted-Pair), 10Base-2 (EtherNet ThinWire) and 10Base-5 (AUI) network cabling.



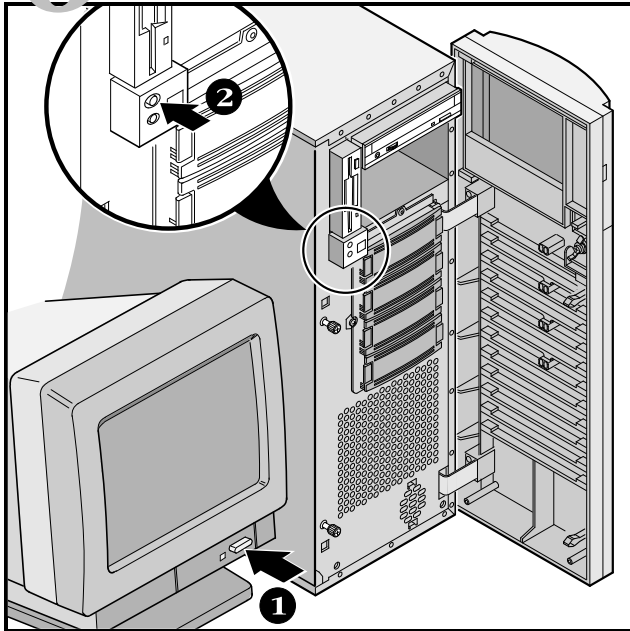
10 Base-2 (ThinWire)



10 Base-5 (AUI)

6

Turn on the monitor and then the server

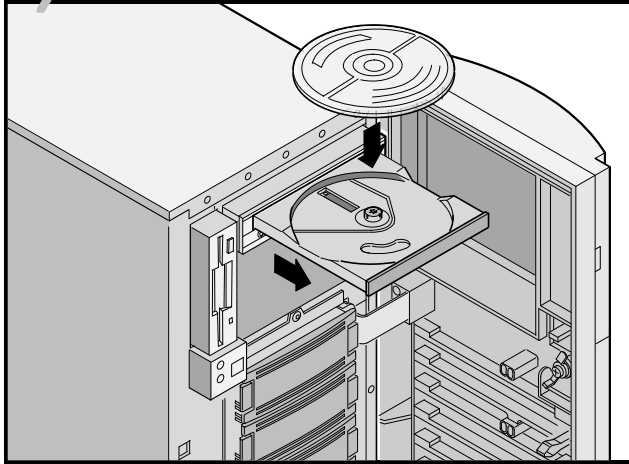


1. Turn on the monitor.
2. Turn on the server.
3. Adjust the monitor's contrast and brightness to obtain a readable screen display.

NOTE

Refer to your System Reference manual for BIOS and Power-On-Self-Test (POST) messages.

If you're installing optional expansion cards



Make sure you are familiar with using:

- The System Configuration Utility (SCU)
- RAID utilities
- The SCSI*Select* Utility

Refer to your System Reference manual, SCSI, and RAID manuals for any additional information.

ISA cards should be installed *after* you run the following System Configuration Utility since the SCU will list IRQs already used. PCI and EISA cards should be installed *before* running the SCU to take advantage of the SCU's automatic detection feature.

Run the SCU

Use the Quick Launch CD-ROM disk to complete the server installation. Follow these steps to configure your server.

1. Locate the Quick Launch CD-ROM disk in your Server-WORKS software kit. Power on your server and insert the CD-ROM disk. Press Ctrl + Alt + Del to reboot your server.

If your server fails to boot from the CD-ROM, press Ctrl + Alt + Del again, then Ctrl + A, when prompted, to run the SCSI*Select* utility. Enable the Bootable CD-ROM and INT13 lines, exit and reboot.

2. Select your language and hold the Alt key until the SCU starts automatically.
3. Use the SCU, when displayed, to configure the EISA option cards you installed or to enable the PCI cards.

Install ISA cards if desired

If you are installing ISA cards, check the current card configuration to avoid IRQ conflicts before manually setting jumpers and switches. After installing the cards, run the SCU again and check the card configuration.

Your server automatically reboots after you save and exit the SCU.

Check the RAID configuration

If you installed a RAID controller, the RAID configuration utility will be displayed next. Configure your server for RAID.

NOTE

If you installed additional SCSI or RAID cards, make sure the MS-DOS partition resides on the bootable drive. If not, shut down your server, change the order of your cards and reconfigure your server.

8 *Run the Quick Launch CD-ROM program*

Use the Quick Launch CD-ROM disk to complete the server installation. Follow these steps to configure your server and install an operating system.

NOTE

If you installed optional expansion card(s), you first need to perform the instructions on the previous page.

Use *Express Installation* to install *Windows NT* or *NetWare* operating systems directly from the Quick Launch CD-ROM.

1. Locate the Quick Launch CD-ROM disk in your ServerWORKS software kit. Power on your server and boot the CD-ROM disk.

If your server fails to boot from the CD-ROM, press Ctrl + Alt + Del, then Ctrl + A, when prompted, to run the *SCSISelect* utility. Enable the Bootable CD-ROM and INT13 lines, exit and reboot.

2. Select your language.
3. When prompted, you can create an MS-DOS partition size appropriate for your operating system. You are prompted to confirm your choice.
4. Select *Installation and Utilities* from the Quick Launch main menu. Choose *Express* to automatically install of Microsoft *Windows NT* or Novell *NetWare*. *Conventional* is for a traditional operating system installation (creating diskettes for SCO UNIX, OS/2, Microsoft *Windows NT*, or Novell *NetWare*).

Refer to the *Quick Launch Reference Guide* included with the ServerWORKS software kit for detailed installation procedures.

9 *Express operating system installation continued*

Express Installation of Microsoft Windows NT Server or Novell NetWare

You will be asked to provide the following information during an *Express* install of Microsoft *Windows NT* or Novell *NetWare*.

Windows NT

Full Name _____

Organization Name _____

Server Name* _____

Product ID _____

NT Server Type _____

License _____

Time Zone _____

Work Group Name/Domain* _____

Network

- Install NWLink
- Install NetBEUI
- Install TCP/IP

* For a Digital cluster, use a different Server Name for each server but the same Domain name for each server.

Novell NetWare

Server Name _____

Organization Name _____

Directory Tree Name _____

Frame Type _____

IPX External Network Number _____

Administrator Password _____

Time Zone _____

Fill in the information as required. Have your Microsoft *Windows NT* or Novell *NetWare* software kit ready. Follow the instructions on the screen to begin your operating system installation.

10 *Creating server utility and device driver diskettes*

If desired, you can create the required diskettes from *Windows NT*, *Windows 95*, *Windows 3.1* or *Windows for Workgroups* based workstations using these procedures.

Included on the Quick Launch CD-ROM are Windows NT, NetWare, SCO, or OS/2 drivers and utilities.

1. Locate the Quick Launch CD-ROM disk in your ServerWORKS software kit. Insert the CD-ROM disk into the CD-ROM drive.
2. From the *Windows Program Manager*, select **File**, then run `qlaunch.exe` from the root directory of the CD-ROM disk. This program will start automatically if *Windows 95* is installed.
3. Select the *Installations & Utilities* button.
4. Choose either the *Conventional* tab or the *Utilities* tab. *Utilities* is the default. Select a server type to see the utilities for that server.
If you choose *Conventional*, first select a network operating system and its version, then select *Continue*. Then select a server type to see the utilities for that server.
5. Select the desired driver or utility.
6. Insert a formatted high-density diskette into drive A and select *Continue*.

For more information, refer to the *ServerWORKS Quick Launch Reference Guide* and the on-line help in the ServerWORKS Quick Launch program.

The following is a list of device drivers you might need:

- SCSI—enables your server to operate using the on-board 7880 Adaptec controller.
- Mouse—enables your server to operate using a Logitech mouse.
- Video—enables your server to operate using the onboard Trio video controller or other supported video cards.
- RAID—enables your server to operate using a Mylex RAID controller.
- Network—choose from several device drivers for Digital supported network interface cards.

The following is a list of bootable server utilities:

- SCU—enables you to make a bootable SCU diskette for use when configuring your server and adding options.
- RAID—enables you to make a bootable RAID Configuration Utility diskette for use when configuring your RAID array.
- Diagnostics—enables you to make bootable diskettes for use when troubleshooting your server.

11

Register your server and review your documentation

Register

1. Record the server's model number and serial number here.

- Server Model Description:

(located on the front of the server)

- Server Model Number and Serial Number:

(located on the back of the server)

2. Send in the registration card contained in your Priors Server documentation kit.

Warranty

- 3-year on-site hardware warranty.
- Refer to your Warranty and Service Information for specific warranty terms and conditions.

If You Need Help

If you have questions about your server hardware, software, or warranty, please contact Digital's Customer Service organization.

Before You Call Digital

1. Run the diagnostics shipped with your server to isolate the problem. You can run the diagnostics from the MS-DOS partition created by Quick Launch or you can create a diagnostics diskette from Quick Launch by using the *Utilities* option located under the *Installations & Utilities* button.
2. Have the server's model number and serial number available before you call.
3. Record any error messages and be prepared to describe the sequence of events that led to your problem.
4. Call 1-800-354-9000.

For Technical Information

Technical information is available 24 hours a day on the Digital bulletin board service (BBS). For access call:

US Digital BBS

- 1-508-496-8800

See the Readme file on the Quick Launch CD-ROM disk for the current address on the World Wide Web.

12 *Install the ServerWORKS Manager software*

After your server and network operating system installation is complete, install Digital's ServerWORKS Manager to:

- Access an easy-to-use server management interface
- Monitor critical PC server statistics
- Obtain an easy-to-read topology map of the network
- Manage server fault conditions
- Support distributed SNMP network devices from anywhere on the LAN

Refer to the ServerWORKS Manager manual for a list of supported operating systems.

NOTE

Refer to the User's Guide in the ServerWORKS software kit for installation information.



ER-B40WW-IM



A01

Copyright © Digital Equipment Corporation, 1997
All Rights Reserved

Prioris and ServerWORKS are trademarks of Digital Equipment Corporation

SCO UNIX is a trademark of The Santa Cruz Operation, Inc.

OS/2 is a trademark of International Business Machines Corporation

MS-DOS, Windows NT, Windows 3.1 & Windows for Workgroups are registered trademarks of Microsoft Corporation

NetWare is a U.S. registered trademark of Novell, Inc.

Logitech is a trademark of LOGITECH, Inc.

All other trademarks and registered trademarks are the property of their respective holders.

PRINTED IN U.S.A.

